

INSTALLATION INSTRUCTIONS

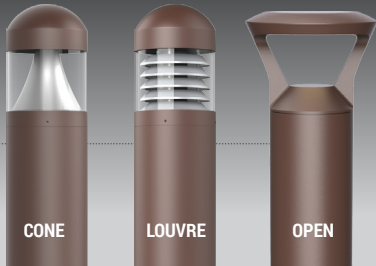
PT-ABL-R SERIES

PT-ABL-R-DTP-C / PT-ABL-R-DTP-L / PT-ABL-R-PTP-0

PORTOR
LIGHTING
a PORTOR INDUSTRY brand

CCT
SELECTABLE

WATTAGE
SELECTOR



READ THESE INSTRUCTIONS COMPLETELY AND CAREFULLY

WARNING: RISK OF FIRE, ELECTRIC SHOCK, INJURY OR PROPERTY DAMAGE.

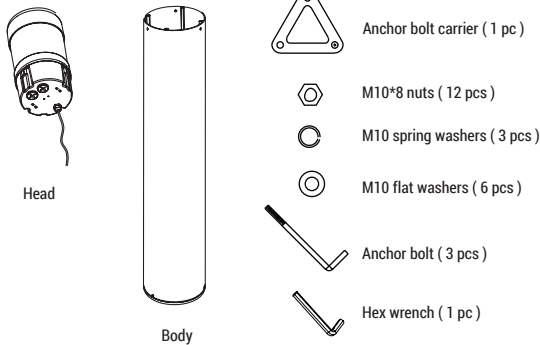
1. RISK OF ELECTRIC SHOCK--DISCONNECT POWER TO EQUIPMENT BEFORE INSTALLING OR SERVICING. THIS EQUIPMENT MUST BE INSTALLED ACCORDING TO ALL APPLICABLE CODES & ORDINANCES.
2. INSTALLATION AND SERVICE OF THIS EQUIPMENT MUST BE PERFORMED BY QUALIFIED SERVICE PERSONNEL.
3. READ THESE INSTRUCTIONS BEFORE INSTALLING, SERVICING OR MAINTAINING THIS EQUIPMENT.
4. THE INSTALLER MUST ENSURE THAT THE FOUNDATION IS STABLE AND CAN SUPPORT THE LUMINAIRE'S WEIGHT.
5. THE INSTALLER MUST USE PROPER MEANS TO SECURE THE LUMINAIRE TO THE GROUND.

CAUTION:

1. EDGES MAY CUT--WEAR GLOVES WHILE HANDLING OR SERVICING THIS EQUIPMENT.
2. INSPECT EQUIPMENT FOR DAMAGE FROM SHIPPING AND HANDLING.
3. RECOMMENDED CLEANING SUBSTANCES: WIPE OFF DUST WITH A DRY, SOFT CLOTH. REMOVE GREASY SPOTS ETC. WITH A SOFT CLOTH DAMPENED IN LUKEWARM WATER (<122° F/ 50° C) WITH A MILD DETERGENT.
4. THIS FIXTURE REQUIRES A 120-277VAC POWER SOURCE.
5. OPERATING TEMPERATURE -40° C TO 50° C (-40° F TO 122° F).
6. SUITABLE FOR WET LOCATIONS.

THIS DEVICE COMPLIES WITH FCC PART 15 SUBPART B. OPERATION IS SUBJECT TO THE FOLLOWING TWO CONDITIONS: (1) THIS DEVICE MAY NOT CAUSE HARMFUL INFERENCE, AND (2) THIS DEVICE MUST ACCEPT ANY INFERENCE RECEIVED, INCLUDING THAT MAY CAUSE UNDESIRED OPERATION. RETAIN THESE INSTRUCTIONS FOR FUTURE MAINTENANCE REFERENCE.

1. PACKAGE CONTENTS



WARNING RISK OF INJURY

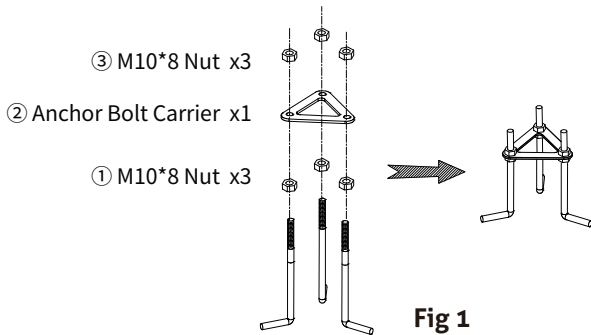
- Wear gloves and safety glasses at all times when removing, installing, servicing or performing maintenance.
- Avoid direct eye exposure to the light source when fixture is on.

WARNING RISK OF FIRE

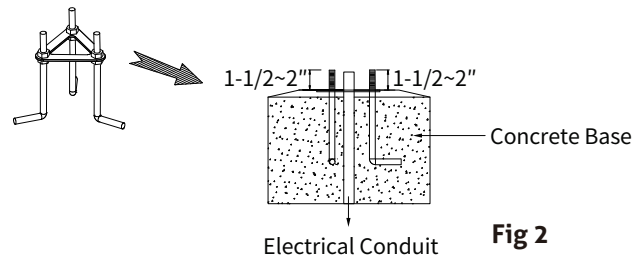
- Keep combustible and other materials that can burn, away from lamp/lens.
- Do not operate in close proximity to persons, combustible materials, or substances affected by heat or drying.

INSTALLATION (ALWAYS TURN OFF THE POWER SUPPLY FROM MAIN CIRCUIT BREAKER FIRST!)

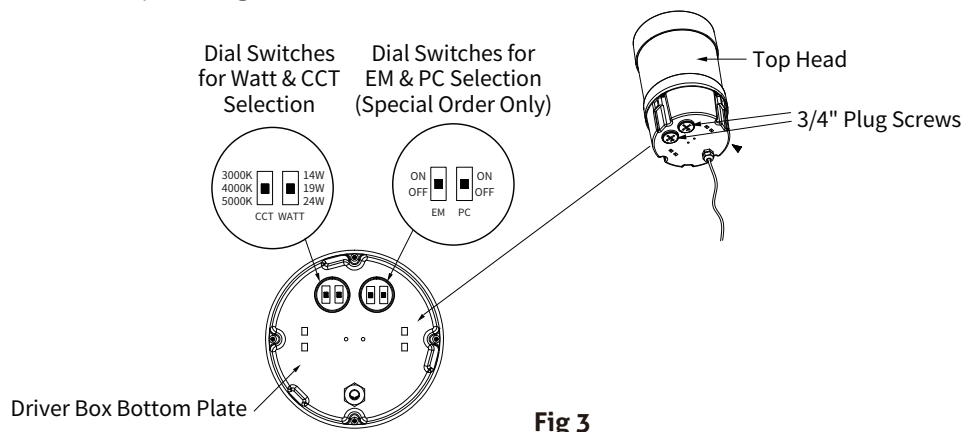
2. Get the anchor bolt carrier assembled as **Fig. 1** and use it to determine placement of anchor bolts in concrete.



3. Install 3 anchor bolts into concrete as per attached **Fig. 2**, having at least 1-1/2~2" protruding from concrete with threads free and clear of debris and dirt (Electrical conduit are reserved in the concrete center).

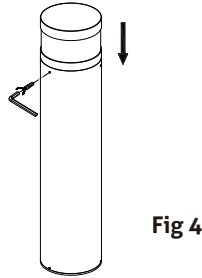


4. Remove the 2# 3/4" plug screws, and select desired wattage & CCT, select desired EM & PC on/off, through the dial switches on the driver box bottom plate. **Fig. 3**

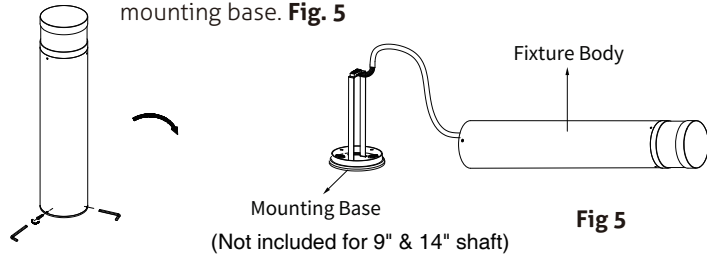


INSTALLATION (CONTINUATION)

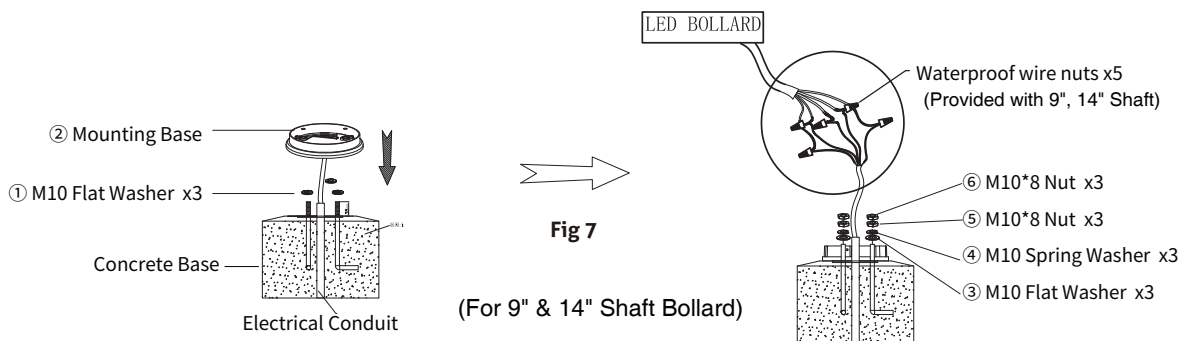
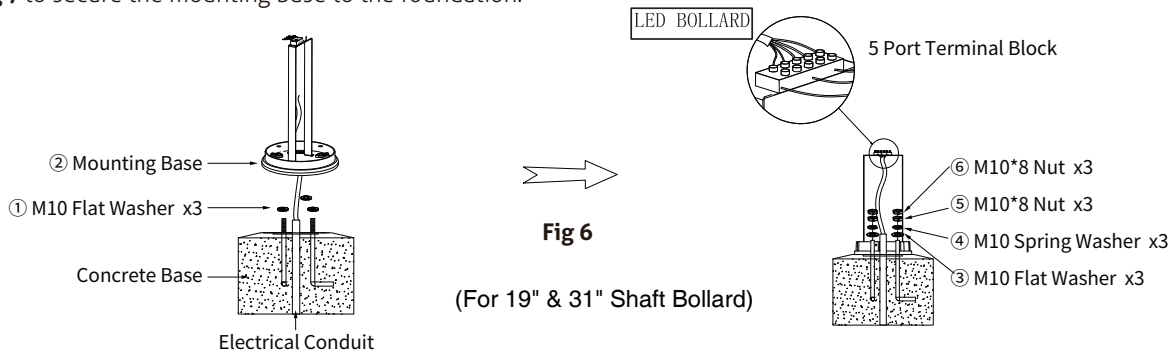
5. Intall the head to the shaft and tighten the 3 screws.
Fig. 4



6. Loosen the 3 screws on the side of shaft bottom with the hex wrench and separate the fixture body from the mounting base. **Fig. 5**



7. Place bollard mounting base over anchor bolts, and tighten M 10 flat washer, M10 spring washer & M10*8 nuts **Fig. 6** or **Fig 7** to secure the mounting base to the foundation.



8. Connect the wires, then tighten the terminal block with a flat-head screwdriver, and check to make sure all wires are in good connection **Fig. 8**

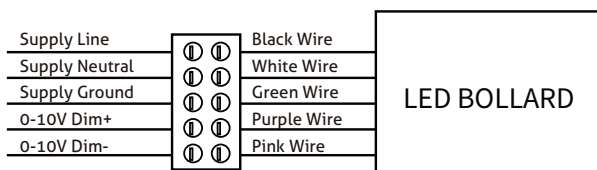


Fig 8

9. Put the fixture body back on and tighten the 3 screws **Fig. 9**. Installation complete.

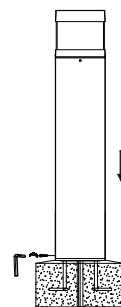


Fig 9

ANCHOR BOLT TEMPLATE

Confirm dimensions before using as a template

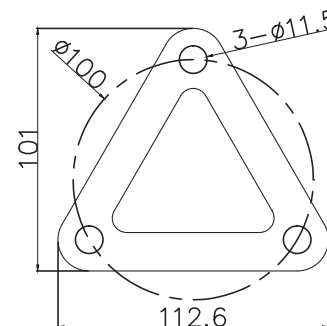


Fig 10