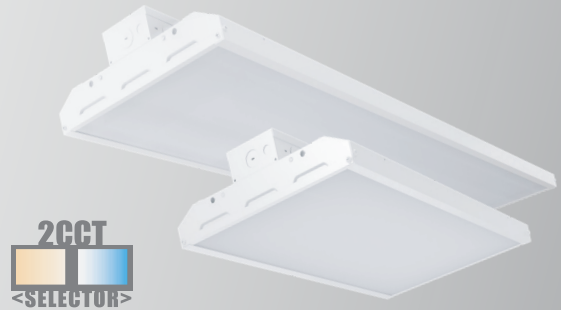


Catalog Number:	Project Name:	Note:	Date:	Type:
-----------------	---------------	-------	-------	-------

Portor's Next Generation Linear High Bay provides high performance efficient and quality light output. Perfect for high ceiling commercial applications. Portor can also provide in-house installation solutions for accessories such as motion sensors or emergency battery back-ups, saving additional labor cost and installation lead time.

Ideal use for commercial application such as large warehouses, parking/storage garages, gymnasiums and retail stores with high ceilings.



CONSTRUCTION

Sleek slim design high bay with durable and solid form factor frame. Made out of quality aluminium alloy body with white finish.

OPTICS

110° x 110° PC matte lens designed to reduce glare and improve light distribution through precision lens optics.

ELECTRICAL

Luminaire is built with the highest quality driver that is Universal Voltage (120V-27V), Long life, high-efficacy, micro-power LEDs. Continuous dimming (0-10V) comes standard.

MOUNTING

Comes standard with V-Hooks and chains. Options available for pendant mount kit and surface mount kit.

CONTROLS

Options available for occupancy sensors with daylight harvesting function, TEELIO Bluetooth lighting controls, and Lutron AWN.

LISTING

UL Listed , DLC Premium Listed.

WARRANTY

5 Years Limited Warranty

LIFESPAN

L70 Rated for 100,000 hours

TECHNICAL SPECIFICATION

CCT	4000K/5000K
CRI	82
DIMMING	0-10V dimming
VOLTAGE	120V-277V
POWER FREQUENCY	50/60 Hz
POWER FACTOR	>0.9
CURRENT	.88A - 2.5A
THD	20%
WORKING TEMP	-4°F ~ 104°F
IP RATING	IP64 Suitable for damp locations
	105W S-JDT39V
	155W S-EMZU6J
DLC PRODUCT ID	170W S-FAD4Z7
	210W S-ODAZIC
	300W S-TURHP3



CATALOG NUMBER	WATTAGE	CCT	DELIVERED LUMENS	EFFICACY
PT-LHB-105W-2CCT	105W	4000K	14,175	135 lm/W
		5000K	14,280	136 lm/W
PT-LHB-155W-2CCT	155W	4000K	20,925	135 lm/W
		5000K	20,925	135 lm/W
PT-LHB-170W-2CCT	170W	4000K	22,950	135 lm/W
		5000K	22,950	135 lm/W
PT-LHB-210W-2CCT	210W	4000K	28,350	135 lm/W
		5000K	28,350	135 lm/W
PT-LHB-300W-2CCT	300W	4000K	40,500	135 lm/W
		5000K	40,500	135 lm/W

Catalog Number:	Project Name:	Note:	Date:	Type:
-----------------	---------------	-------	-------	-------

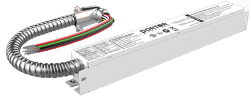
ORDERING SAMPLE: **PT-LHB-105W-2CCT-EMD-16W-UNI-35-PR-WG-HBL4-2FT**

PT-LHB	-		-	2CCT	-		-		-	
Fixture			Accessories/Options (Sold separately)							
Series	Wattage	CCT	EM Battery		Transformers		Analog Sensors			
PT-LHB	105W 155W 170W 210W 300W	2CCT (4000K/5000K)	___ Blank PT-EMD-16W 16W DC Emergency Battery Pack (For 105W* and 155W Fixtures)		___ Blank PT-SDT-325 325 VA Step Down Transformer (For 105W, 155W, 170W, and 210W Fixtures)		___ Blank PT-UNI-35-PR Audiojack PIR Motion Sensor W/ Daylight Harvesting			
			PT-EMD-32W 32W DC Emergency Battery Pack (For 170W*, 210W*, and 300W Fixtures)							
*EM's Internally Installed										

	-		-		-	
Mounting	Fixture Add-Ons				Controls	
Surface Mount Kit	Wire Guards		Whips		Lutron AWN	
___ Blank SMK-HBL4 Surface Mount Kit for LHB Series	___ Blank WG-HBL4-2FT Wire Guard for 105W / 155W WG-HBL4-4FT Wire Guard for 170W / 240W / 300W		___ Blank MC-5W-SC-6F 6FT 5 Wire MC Whip With Screw-in Connector MC-6W-SC-6F 6FT 6 Wire MC Whip With Screw-in Connector MC-5W-SN-HD-6F 6FT 5 Wire MC Whip With Snap-in Head Connector MC-6W-SN-HD-6F 6FT 6 Wire MC Whip With Snap-in Head Connector		___ Blank AWN-RF RF only Athena wireless node (White), Lutron Model # - A-WN-D01-RF-WH	
Pendant Mount Kit					TEELIO	
___ Blank PM-HBL4 Pendant Mount Kit for LHB Series					___ Blank PT-MS-35-BT Audiojack PIR Bluetooth Motion Sensor W/ Daylight Harvesting PT-BTC-6 6A Bluetooth Power Pack PT-BTN Internally Installed Low Voltage Bluetooth Node	

Catalog Number:	Project Name:	Note:	Date:	Type:
-----------------	---------------	-------	-------	-------

EM BATTERY OPTION



PT-EMD-16W / PT-EMD-32W
16/32W DC Emergency Battery Pack

TRANSFORMER



PT-SDT-325
Step-down Auto-transformer

ANALOG SENSOR



PT-UNI-35-PR
Dimmable PIR
Motion Sensor with
Daylight Harvesting



ELB-UNI-35
Elbow for
PT-UNI-35-PR
(Required)



RCP-35
Audiojack
Receptacle for
PT-UNI-35-PR
(Required)



MSS-RC-100
Sensor Remote
Control

MOUNTING OPTIONS

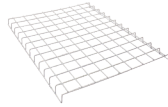


PM-HBL4
Pendant Mount Kit

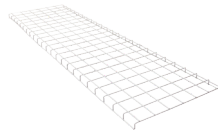


SMK-HBL4
Surface Mount Kit

WIREGUARDS



WG-HBL4-2FT
Wireguard for
105W / 155W



WG-HBL4-4FT
Wireguard for
170W / 240W / 300W

OTHER



MC-5W-SC-6F / MC-6W-SC-6F(Screw-in)
MC-5W-SN-HD-6F / MC-6W-SN-HD-6F(Snap-in)
6FT 5 Wire MC Whip / 6FT 6 Wire MC Whip

COMPATIBLE CONTROLS



AWN-RF
RF only Athena wireless node (White),
Lutron Model # - A-WN-D01-RF-WH



PT-MS-35-BT
Audiojack PIR Bluetooth
Motion Sensor W/Daylight Harvesting



ELB-UNI-35
Elbow for PT-UNI-35-
PR (Required)



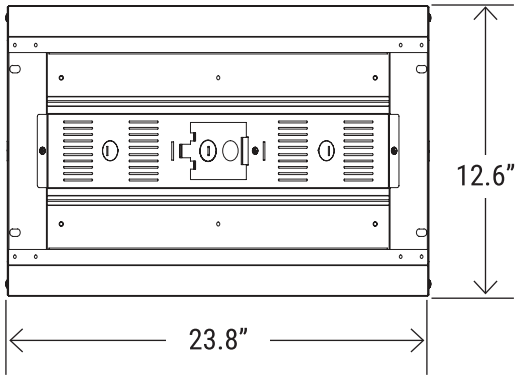
PT-BTC-6
6A Bluetooth Power Pack



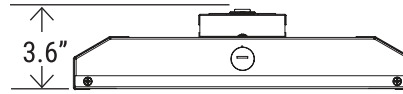
PT-BTN
Internally Installed
Low Voltage Node

Catalog Number:	Project Name:	Note:	Date:	Type:
-----------------	---------------	-------	-------	-------

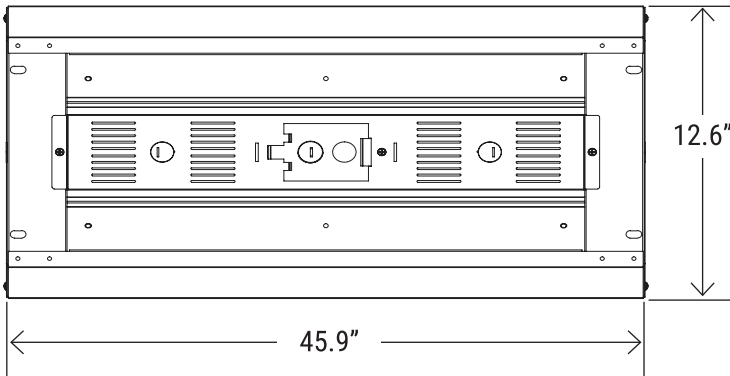
DIMENSION



2' 105W / 155W



SIDE PROFILE



4' 170W / 210W / 300W

2' (105W / 155W)
Net Weight: **4.29 lbs**
Gross Weight: **5.55 lbs**

4' (300W)
Net Weight: **8.35 lbs**
Gross Weight: **9.3 lbs**

4' (170W / 210W)
Net Weight: **7.55 lbs**
Gross Weight: **8.73 lbs**

QTY/CARTON



PIECES



WHATS IN THE BOX?

- Fixture
- Installation Sheet
- 3' 5" Chain Kit Mount
- V-Hooks