

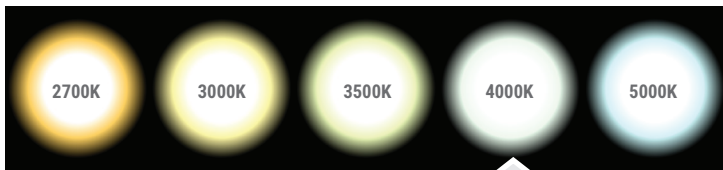
| | | | |
|---------------|--------|-------|-------|
| Project Name: | Notes: | Date: | Type: |
|---------------|--------|-------|-------|

No can or housing needed! Install directly into ceilings with 2" clearance. Portor's slim round profile residential downlights are taking the market by storm! Available in 6" and featuring color tunable technology that lets the user choose between 2700K, 3000K, 3500K, 4000K, or 5000K.

Ideal for soffits, drop ceilings, closets, attics, hallways, bathrooms, kitchens, basements, entry ways, porches (covered ceiling only), garages, stairwells, corridors, nursing/retirement homes, condos, elevators, apartments, and any other small areas with limited space.



TUNABLE 5-1 CCT SELECTOR



Easily flip the switch for desired CCT. It's that simple!

FEATURES

- Edge-lit technology, with no glare or dark spots
- Instant-on
- Ultra slim design, 1" thickness
- Integrated LED fixtures
- LED technology fits anywhere you need general light source
- IC rated for direct contact with insulation
- Perfect solution where joists or duct work would normally prevent recessed installation
- Wet location rated for soffit applications
- Install J-Box in ceiling beam, and insert light right into drywall opening

DIMMING

Triac dimmable down to 100%-10%.
Compatible with most major brands of dimmers.

LISTING

ETL Listed, FCC, RoHS, CE & Energy Star Listed

| WATTAGE | DELIVERED LUMENS | EFFICACY |
|---------|------------------|----------|
| 15W | 975 @ 2700K | 65 lm/W |
| | 1050 @ 3000K | 70 lm/W |
| | 1125 @ 3500K | 75 lm/W |
| | 1200 @ 4000K | 80 lm/W |
| | 1125 @ 5000K | 75 lm/W |

TECHNICAL SPECIFICATION

| | |
|-----------------|--------------------------------------|
| WATTAGE | 15W |
| VOLTAGE | 120V |
| POWER FREQUENCY | 50/60 Hz |
| CCT | 2700K/3000K/3500K/4000K/5000K |
| CRI | 90 |
| BEAM ANGLE | 120° |
| RATING | Suitable for Wet locations |
| DIMMABLE | Triac dimming |
| POWER FACTOR | >0.9 |
| WARRANTY | 5 year limited |



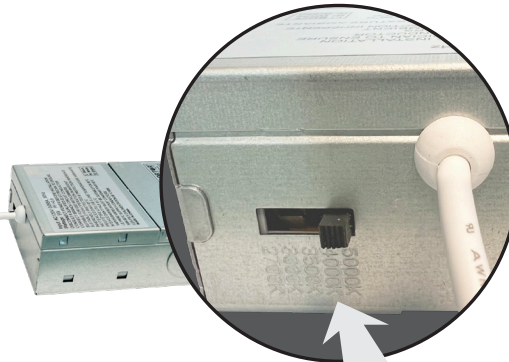
MODEL NUMBER(S)

| MODEL# | WATTS | LUMENS | LM/WATT | CCT | CRI | VOLTAGE |
|---------------------------------|-------|--------------------|---------|-----------------------------------|-----|---------|
| PT-DLS2-R-6I-15W-5CCT | 15W | 1200 (at 4000K) | 88 | 2700K/3000K/3500K/ 4000K/5000K | 90 | 120V |
| PT-DLS2-R-6I-15W-5CCT-BK | 15W | 1200 (at 4000K) | 88 | 2700K/3000K/3500K/ 4000K/5000K | 90 | 120V |

| | | | |
|---------------|--------|-------|-------|
| Project Name: | Notes: | Date: | Type: |
|---------------|--------|-------|-------|

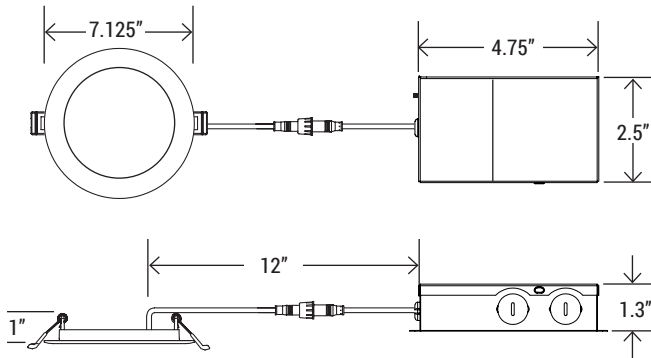


• Sealing gasket standard



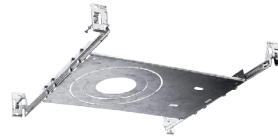
Easily flip the switch for desired CCT

DIMENSION



(Cut-out: 6.25")

MOUNTING OPTIONS



UNI-DLS-R
4"/6" Universal Slim LED
Housing for New Construction



RP-DLS-6I
6" Slim LED Rough plate

COMPATIBLE DIMMERS

| LUTRON* | LEVITON* | LEGRAND |
|--|--|--|
| <ul style="list-style-type: none"> • CT-600P • DVLC-153P • MSCL-OP153M • PD-6WCL • MACL-153M/MA-R • TG-600PR-WH • S-600PR-WH • CTCL-153PDH-WH • TGCL-153PH-LA • SLV-600P-AL • DV-600PR-WH • SCL-153PH-WH | <ul style="list-style-type: none"> • RNL06 • 6672 • 6674 • IPL06 • DLS06 • SELV-300P-WH • VP106-1LZ | <ul style="list-style-type: none"> • ADTP70TU |

*For more details, please visit company's website