

Catalog Number:	Project Name:	Note:	Date:	Type:
-----------------	---------------	-------	-------	-------

Portor CAT2 series is a LED Square Canopy luminaire that combines high energy-efficient and slim profile aesthetics to deliver high lighting performance and featuring a hinged mounting plate that make installation a breeze. The CAT2 Series features color selectable technology that lets the user choose between 3000K, 4000K, or 5000K.

Perfect application for parking garages, hallways, toll stations, and shopping centers.



CONSTRUCTION

Rugged design with professional light distribution technique. Has high light reflectivity reflectors, grooves between hinged construction to provide excellent heat dissipation.

ELECTRICAL

Luminaire is built with the highest quality driver that is Universal Voltage (120-277V), uses long lasting, high-efficient LED packages. Flicker free, non-dimming.

OPTICAL SYSTEM

Featuring an durable, shattered resistant frosted lens with low glare that delivers high performance disbursement.

ENERGY SAVINGS

Over 60% energy savings than traditionally HID fixtures, low heat productions requires less maintenance and operation cost.

LISTING

ETL Listed, DLC Premium Listed, IP65 rated

WARRANTY

5 year Limited Warranty, Rated for 50,000 hours. See Warranty documentation for details.

WATTAGE	DELIVERED LUMENS	EFFICACY
28W	3,876	up to 148 lm/W
35W	4,831	
40W	5,557	

Based on actual IES results @ 4000K. Actual lumens may vary.

TECHNICAL SPECIFICATION

CCT	3000K/4000K/5000K
CRI	80+
DIMMABLE	0-10V dimming
LIGHTING ANGLE	155°
VOLTAGE	120V-277V
POWER FREQUENCY	50/60 Hz
POWER FACTOR	>0.9
THD	≤10%
WORKING TEMPERATURE	-40°F ~ 104°F
STORAGE TEMPERATURE	-40°F ~ 158°F
IP RATING	IP65 Wet Locations
BODY FINISH	Dark Bronze
WARRANTY	5 year limited

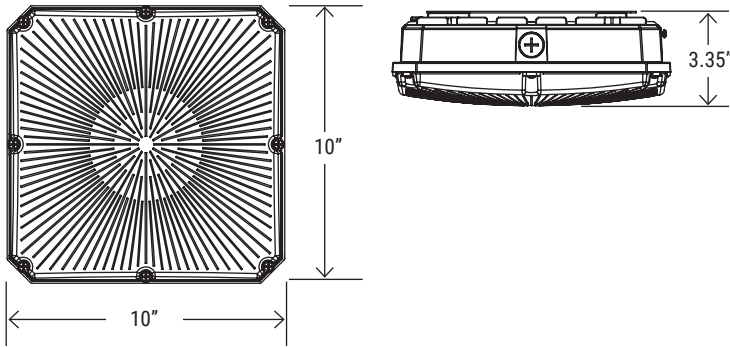


ORDERING SAMPLE: - - - -

Series	Wattage	CCT	Accessories/Options	
PT-CAT2 LED Square Canopy Luminaire Series	LW (28W/35W/40W)	3CP (3000K/4000K/5000K)	Photocell	Surge Protector
			PSA PSB	SP-10KV-LV

Catalog Number:	Project Name:	Note:	Date:	Type:
-----------------	---------------	-------	-------	-------

DIMENSION



COMPATIBLE DIMMERS

LEVITON*	LUTRON*
• DS710	• DVSTV • DVTV

*For more details, please visit company's website

PHOTOCELL OPTION



PSA
Adjustable Photocell




PSB
Photocell



SP-10KV-LV
100V-300V /50-60Hz
Surge Protector

WATTAGE	DELIVERED LUMENS	EFFICACY	WATTAGE	DELIVERED LUMENS	EFFICACY	WATTAGE	DELIVERED LUMENS	EFFICACY
28W	3,719 @ 3000K	138 lm/W	35W	4,669 @ 3000K	138 lm/W	40W	5,244 @ 3000K	134 lm/W
	3,876 @ 4000K	148 lm/W		4,831 @ 4000K	148 lm/W		5,557 @ 4000K	146 lm/W
	3,847 @ 5000K	144 lm/W		4,744 @ 5000K	143 lm/W		5,526 @ 5000K	141 lm/W

CATALOG NUMBER	WATTAGE	DELIVERED LUMENS	EFFICACY	DLC PRODUCT ID	CLASSIFICATION
PT-CAT2-LW-3CP	40W	4,979@3000K	122 lm/W	S-95XK59	 DLC LISTING