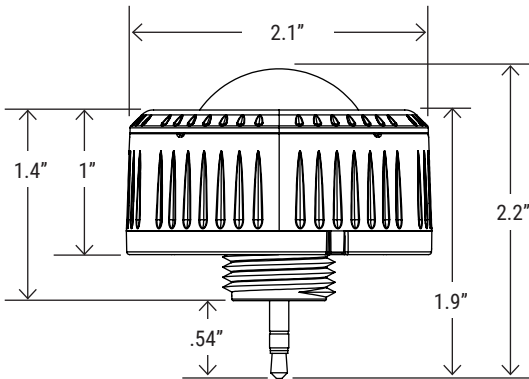


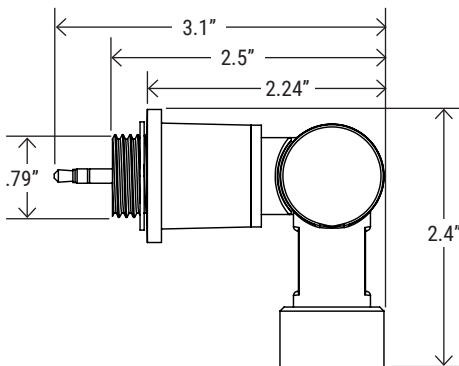
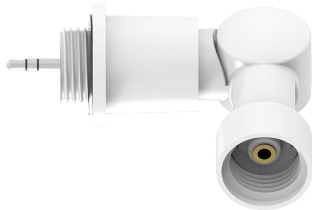
Project Name:	Notes:	Date:	Type:
---------------	--------	-------	-------



DIMENSION



**RECEPTACLE NEEDED FOR SOME PRODUCTS*
(MUST BE ORDERED SEPARATELY)**



DESCRIPTION

The PT-UNI-35-PR mounts in an outdoor lighting fixture and provides multi-level control based on motion. It controls 0-1 0 VDC LED drivers or dimming ballasts, and is rated for wet and cold locations. All control parameters are adjustable via knobs or by remote control.

TECHNICAL SPECIFICATION

INPUT / VOLTAGE RANGE	12V-24V DC
OPERATING CURRENT	>30mA
DIM CONTROL OUTPUT	0-1 0V, max. 25mA sinking current
DETECTION RADIUS	1-8 meter
MOUNTING HEIGHT	Max 40 ft. (12 meters)
HOLD TIME	3min/5min/10min/15min
OPERATING TEMPERATURE	-4 °F ~ 140°F (-20°C+60°)
IP RATING	IP65
WARRANTY	5-year limited

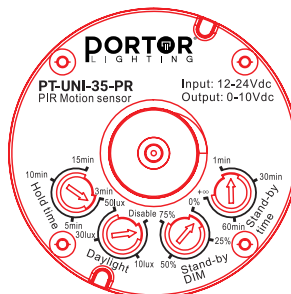
SENSOR PARAMETER

HOLD TIME	Hold lime (Time from light trigger until no motion is detected) Set time duration until sensor triggers standby light level (3 minutes /5 minutes/10 minutes/15 minutes).
DAYLIGHT THRESHOLD	to select the current surrounding lux value as the daylight threshold (1 0lux,30lux,50lux,disable) when corridor function. and when smart photocell mode, the daylight thresholds
STANDBY DIMMING LEVEL	Set standby dimming level to 0/25%/50%/75% of full light output. Setting the "Stand-by DIM" at 0% means light full off during vacancy.
STANDBY TIME	To represents the time that the sensor will keep the light at low dim level after the "Hold lime" elapsed. Set Standby time level to 1 minute/30 minutes/60 minutes/+∞ .
NOTE	When stand-by time choose +∞ , the fixture will come into smart photocell mode. And it will turn on and off automatically according to the daylight you set.

ELB-UNI-35

- 35mm connection / length of the wire: 300mm
- Wire color: Black/white; Pink,Purple

* CALL FACTORY FOR DETAILS



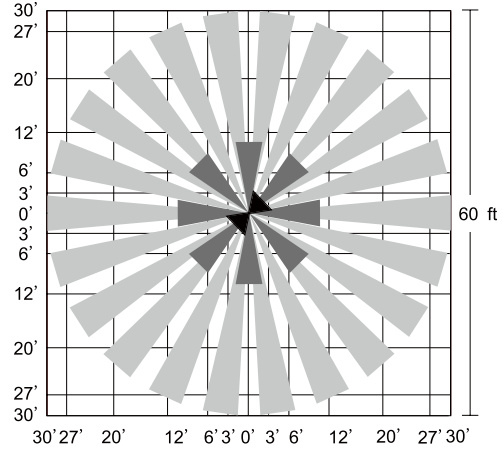
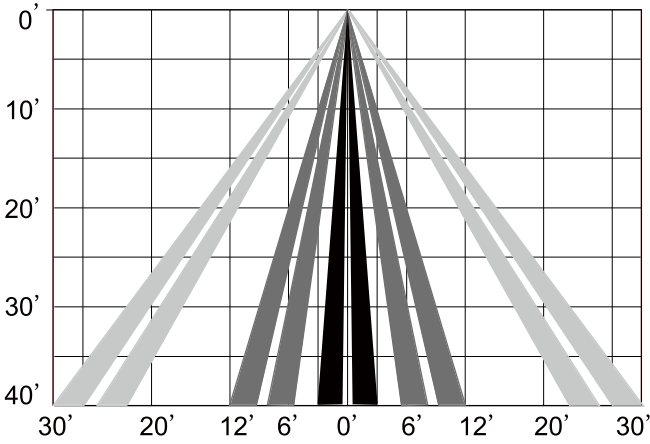
WARNING!!!

- NOTE: Warm up time is 40seconds. After the sensor connects input power first time, the light will keep on 40seconds,then go to dimming to work normally.
- NOTE: Factory Default Setting: Hold time is "3min", Daylight is "Disable", Stand-by DIM is "25%", Stand-by time is "30min".
- NOTE: Any setting changed by knobs or by Remote Control.
- NOTE: Do not insert or remove the sensor when the Fixture is powered on.

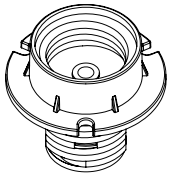
Project Name:	Notes:	Date:	Type:
---------------	--------	-------	-------

DETECTION COVERAGE

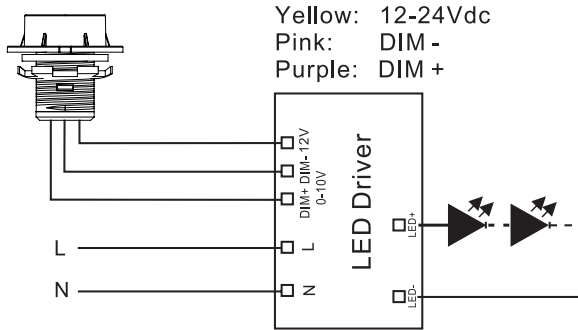
COVERAGE SIDE VIEW



WIRING DIAGRAM

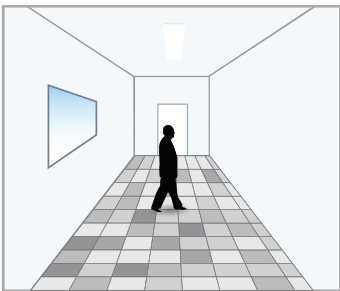


**RCP-35
(SOLD SEPARATELY)**

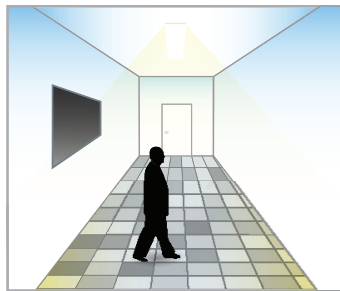


DIMMING FUNCTION

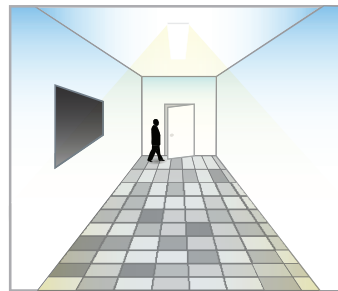
This function inside the motion sensor to achieve tri-level control, for some areas which require a light change notice before switch-off. The sensor offers 3 levels of light: 100%-->dimmed light (natural light is insufficient)-->off; and 2 periods of selectable waiting time: motion hold-time and stand-by period; Selectable daylight threshold and freedom of detection area.



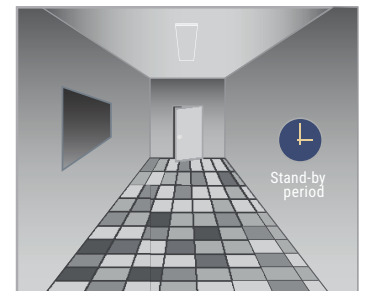
With sufficient natural light, the light does not switch on when presence is detected.



With insufficient natural light, the sensor switches on the light automatically when presence is detected.



After hold-time, the light dims to stand-by level if the surrounding natural light is below the daylight threshold.

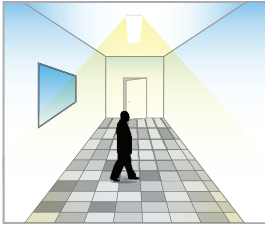


Light switches off automatically after the stand-by period elapses.

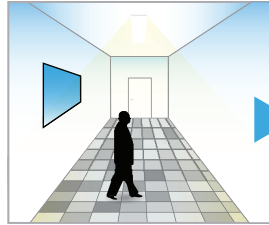
Project Name:	Notes:	Date:	Type:
---------------	--------	-------	-------

DAYLIGHT HARVESTING FUNCTION (ONLY BY USING MSS-RC100 REMOTE CONTROL)

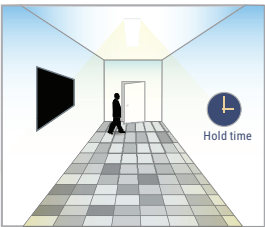
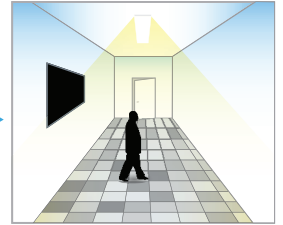
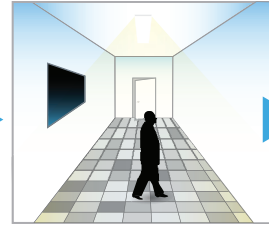
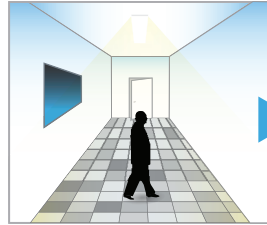
Open the daylight harvesting function only by choosing "👁️" button when remote control is in setting condition. Memory and maintain current ambient brightness.



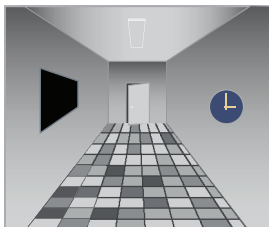
When the natural light is sufficient or dark, movement is detected and the light will turn on 100% brightness.



The light turns on at full or dims to maintain the lux level. The light output regulates according to the level of natural light available.



The light dims to stand-by period after hold-time and stays on selected minimum dimming level.



The light switches off completely after the stand-by period.

SETTING ON THIS DEMONSTRATION:

- BRIGHTNESS: 100%
- SENSITIVITY: 100%
- HOLD TIME: 30MIN
- DAYLIGHT SENSOR: 👁️
- STAND BY DIM: 30%
- STAND BY TIME: 1 MIN

SPECIFICATIONS

Power Supply	2 x AAA 1.5V battery, Alkaline preferred
Upload Range	Up to 15 m (50 ft.)
Operating Temp.	32°F - 122°F (0°C - 50°C)
Dimension	4.84" x 2.76" x 0.8" (123x70x20.3 mm)

OVERVIEW

The remote control Wireless IR Configuration Tool is a handheld tool for remote configuration of IR-enabled fixture integrated sensors. The tool enables device to modify via pushbutton without ladders or tools, and stores up to four sensor parameter modes to speed configuration of multiple sensors.

The remote control uses bi-directional IR communication to send and receive sensor settings at mounting height up to 50 feet. The device can display previously established sensor parameters, copy parameters and send new parameters or store parameter profiles. For projects where identical settings may be desired across a large number of areas or spaces, this capability provides a streamlined method of configuration. Settings can be copied throughout a site, or in different sites.

CAUTION:

Remove the batteries from compartment if the remote will not be used in 30 days.



MSS-RC-100

Motion Sensor Remote Control
(Needed to program motion sensor, sold separately)