

Catalog Number:	Project Name:	Note:	Date:	Type:
-----------------	---------------	-------	-------	-------

DESCRIPTION

Portor's second generation commercial grade recessed downlight is wattage and color tunable, which can be programmed with a CCT of 2700K, 3000K, 3500K, 4000K, or 5000K, eliminating the need to stock multiple color temperatures.

Ideal use for commercial complexes, hospitality, healthcare industry, schools, shopping centers, industrial areas and hotels.



LED RETROFIT
COMMERCIAL
GRADE DOWNLIGHT

TUNABLE
5CCT
SELECTABLE

WATTAGE
3W
ELECTOR

Baffle Finish

Direct Mounting

NO RECESSED HOUSING NEEDED

FOR RETROFIT OR NEW CONSTRUCTION INSTALLATION



20" WHIP INCLUDED

CONSTRUCTION

PC driver housing and aluminum baffle with architectural white finish. Standard gasket included to ensure proper seal.

ELECTRICAL

Luminaire is built with the highest quality LED drivers, ensuring energy efficiency. Optional emergency battery pack.

ENERGY SAVINGS

80% more energy savings than traditional lamps. Low heat production requires less air-conditioning requirements, further increasing energy cost savings.

INSTALLATION

The adjustable housing clips allow for installation in a large range of commercial and architectural housings ranging from 6.0"-7.4" (153-190mm). These spring-action clips push up easily and fit securely for both retrofit and new construction installations.

LISTING

ETL Listed, FCC, RoHS, CE & Energy Star Listed

NOMINAL WATTAGE	DELIVERED LUMENS	EFFICACY
17W	1615 LM	up to 110 lm/W
24W	2640 LM	
30W	3300 LM	

Based on 4000K setting. Actual lumens may vary.

TECHNICAL SPECIFICATION

WATTAGE	17W/24W/30W
CCT	2700K 3000K 3500K 4000K 5000K
CRI	90
DIMMABLE	*0-10V, 5-100% smooth dimming
BEAM ANGLE	100°
VOLTAGE	120V-277V
POWER FREQUENCY	50/60 Hz
POWER FACTOR	>0.9
LIFESPAN	50,000 hrs @ L70 lifetime
RATING	Suitable for wet locations
WARRANTY	5 year limited

*Must use 0-10v dimming wire. Not compatible for line voltage dimming.



ORDERING SAMPLE: **PT-CDL2-8I-5C3P**

Series	Aperture	CCT (Selectable)	Wattage (Selectable)	Finished	*Accessories/Options
PT-CDL2 Commercial Grade Downlight	8I (8")	5C (2700K / 3000K / 3500K / 4000K / 5000K)	3P (17W / 24W / 30W)	White (Standard)	EM Battery TRIM RING Blank (no option) PT-EMG-8W PT-EMG-15W TRR-CDL-8I-BK TRR-CDL-8I-BN TRR-CDL-8I-BZ

Catalog Number:	Project Name:	Note:	Date:	Type:
-----------------	---------------	-------	-------	-------

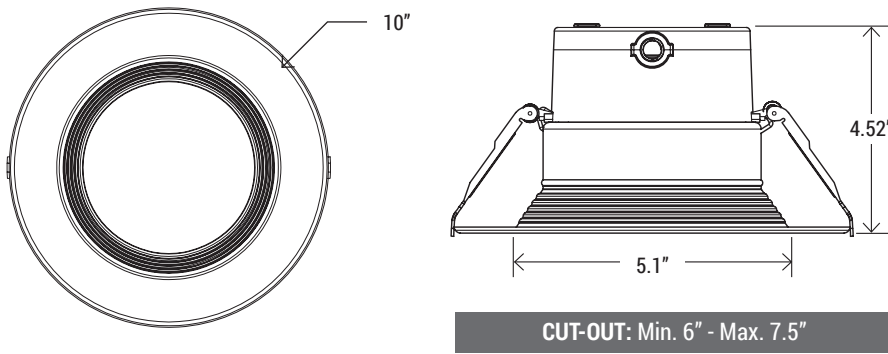
Change lumen output for desired application
(Based on 4000K setting. Actual lumens may vary.)

Change color temperature with the simple flip of a switch

5 CCT SELECTABLE

17W 1615 Lm **24W** 2640 Lm **30W** 3300 Lm

DIMENSION



***EM BATTERY OPTION (SOLD SEPARATE)**



PT-EMG-8W
PT-EMG-15W
LED Emergency Driver

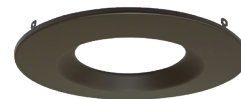
SMOOTH TRIM RING REPLACEMENT (SOLD SEPARATELY)



TRR-CDL-8I-BK
8" Black Smooth Trim Ring Replacement



TRR-CDL-8I-BN
8" Brush Nickel Smooth Trim Ring Replacement



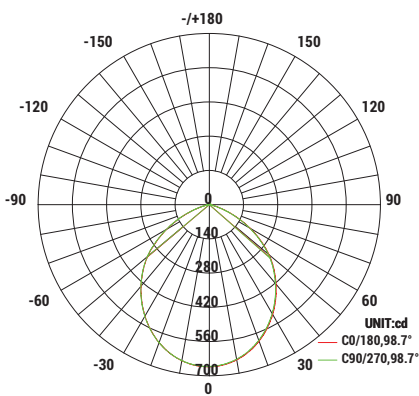
TRR-CDL-8I-BZ
8" Bronze Smooth Trim Ring Replacement

QTY/CARTON

4

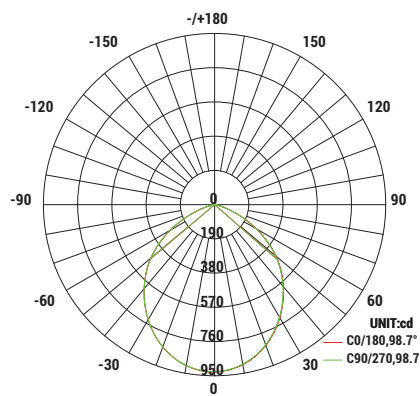
PIECES

PHOTOMETRY (Luminous Intensity Distribution Diagram)



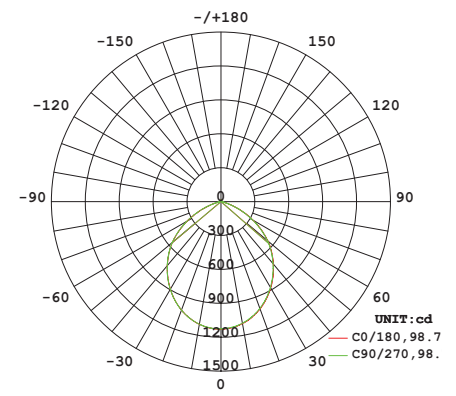
AVERAGE BEAM ANGLE(50%):98.7 DEG

17W @ 4000K



AVERAGE BEAM ANGLE(50%):98.7 DEG

24W @ 4000K



AVERAGE BEAM ANGLE(50%): 98.7 DEG

30W @ 4000K