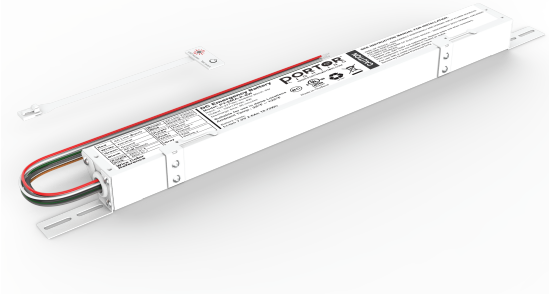


Project Name:	Notes:	Date:	Type:
---------------	--------	-------	-------



FEATURES

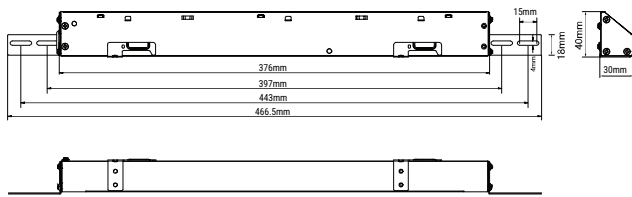
- Emergency battery for use with external drives
- Constant output power
- High temperature protection
- **Self-testing**

LISTING

- UL924

DIMMENSIONS 8W

L466.5 × W40 × H30 mm
L18.36" × W 1.57" × H1.18"



TECHNICAL SPECIFICATION

EMERGENCY POWER	8W
INPUT VOLTAGE	100-277 VAC
POWER FREQUENCY	50/60 Hz
INPUT CURRENT	80mA max
INPUT POWER	5W
RECHARGE TIME	24 hrs
OUTPUT VOLTAGE	150-170 VDC
EMERGENCY OPERATION	90 mins
BATTERY TYPE	Li-ion
AMBIENT TEMP.	32°F - 122°F
WARRANTY	5 year limited

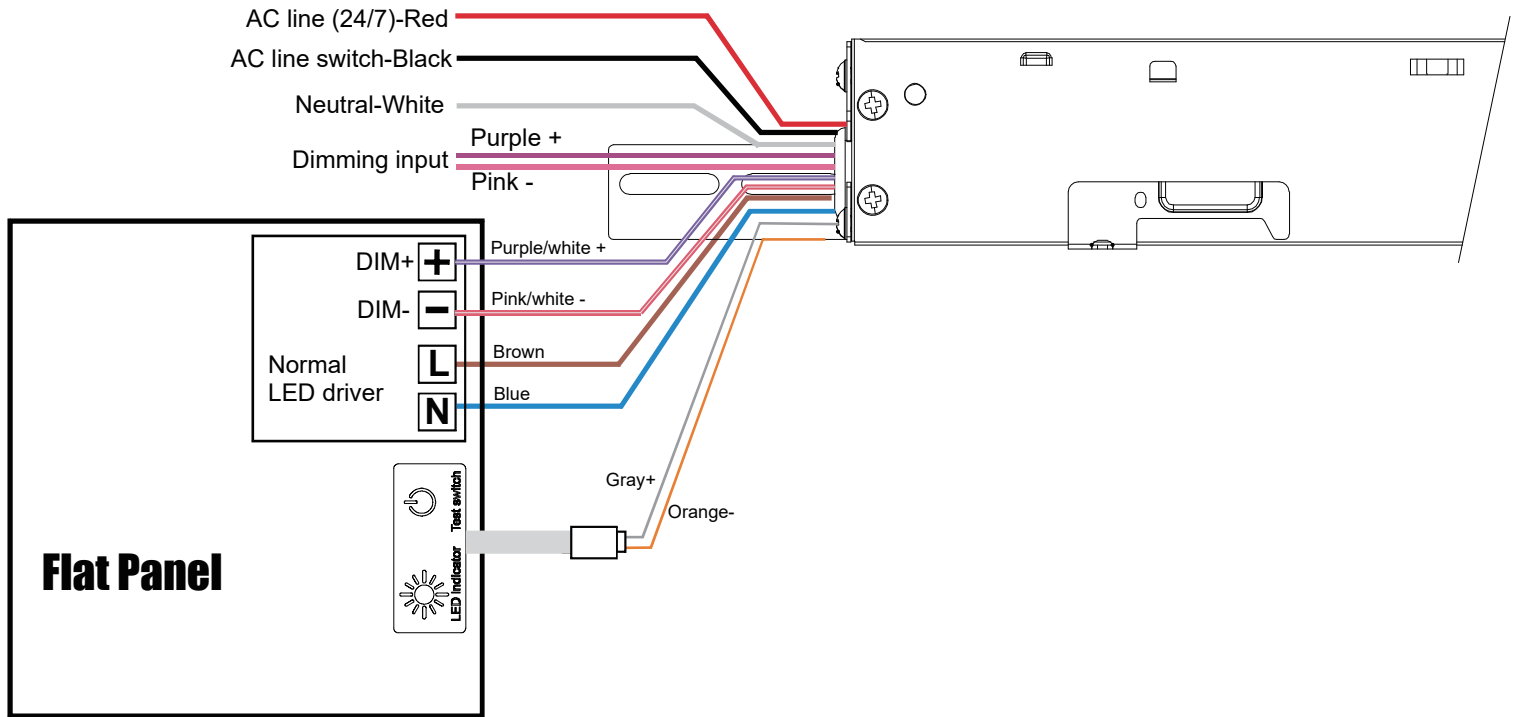


CAUTION:

- In order to avoid electric shock, during AC operation, do not touch or remove any wires.
- During emergency operation, before touching or disconnecting the wires, press the test button to turn the LED lamp and indicator light off to avoid electric shock .

Project Name:	Notes:	Date:	Type:
---------------	--------	-------	-------

WIRING DIAGRAM



OPERATION:

WHEN AC POWER FAILS, EMERGENCY LED DRIVER IMMEDIATELY SWITCHES TO THE EMERGENCY MODE, OPERATING THE LEDS AT A REDUCED LUMEN OUTPUT FOR A MINIMUM OF 90 MINUTES. WHEN AC POWER IS RESTORED, THE EMERGENCY DRIVER AUTOMATICALLY RETURNS TO THE CHARGING MODE.