

Catalog Number:	Project Name:	Note:	Date:	Type:
-----------------	---------------	-------	-------	-------

The PT-EXL-EDL Series is an edge-lit exit sign is a modern and sleek emergency signage solution. Instead of traditional backlighting, these signs utilize LED lights embedded along the edges of a transparent or mirrored acrylic panel, which illuminates the sign evenly. The PT-EXL-EDL series exit signs are often chosen for their minimalist appearance and their ability to blend seamlessly with various architectural styles while ensuring safety compliance.

Ideal use for commercial buildings, industrial facilities, entryways, stairways, and hallways.



**CONSTRUCTION**

Aluminum housing with high grade acrylic panel. Letter is 6" height with 3/4" stroke in bright RED. Removable directional indicators. Easy installation.

**ELECTRICAL**

Dual voltage operation with 120V/277VAC and input watt of 3.5W. Includes built-in 3.6V 600mAh Nickel cadmium battery with a 180-minute runtime and 24 hour charge time. Test switch and charge indicator.

**MOUNTING**

Aluminum mounting plate allows top, back or end mount.

**LISTING**

UL Listed, RoHS

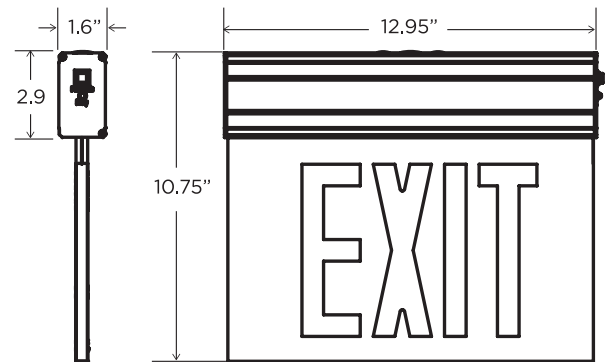
**WARRANTY**

5 year limited warranty on electrical parts and housing.  
3 year limited warranty on battery.

**TECHNICAL SPECIFICATION**

INPUT WATT	3.5W
INPUT CURRENT	0.027 - 0.013A
VOLTAGE	Dual Voltage 120V-277V
BATTERY TYPE	3.6V 600mAh Nickel cadmium
EM RUN TIME	180 mins
CHARGING TIME	24 hrs
WORKING TEMPERATURE	32°F ~ 104°F
IP RATING	Indoor Damp Location

**DIMENSION**



**ORDERING SAMPLE: PT-EXL-EDL-1-R-CLR-AL / PT-EXL-EDL-2-R-MIR-AL**

Model	Series/Style/Shape	Face	Letter	Finish	Housing	Mounting
	PT-EXL-EDL (Edge-lit)	1	R (Red)	CLR (Clear)	AL (Aluminum)	Ceiling, Wall, Side
	PT-EXL-EDL (Edge-lit)	2		MIR (Mirror)		