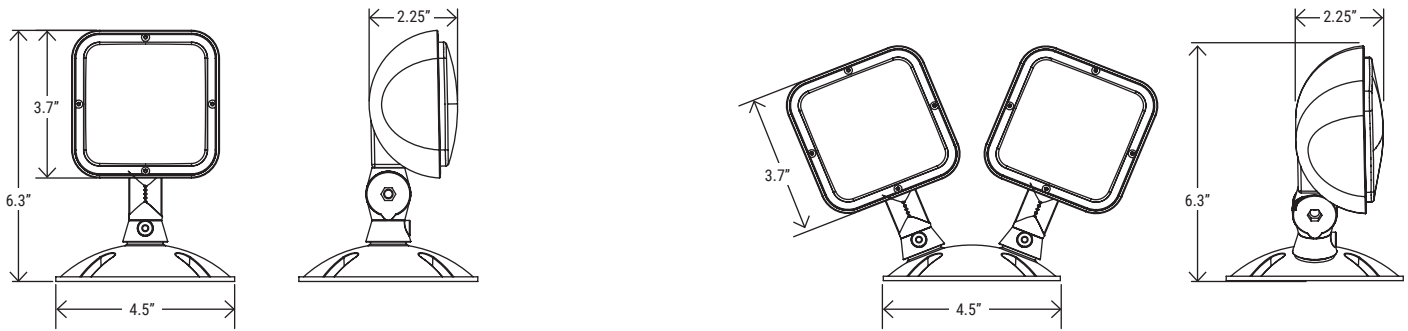


Catalog Number:	Project Name:	Note:	Date:	Type:
-----------------	---------------	-------	-------	-------

- Injection-molded thermoplastic housing
- UL 94V-0 flame rating
- Innovative, easy installation in minutes
- 120V/277VAC Dual voltage operation
- For 3.6V/9.6V, 1.2W LED lamps



**DIMENSION**



**1.2W**  
Input Watt

**138**  
Lumens

**1.2W**  
Input Watt/head

**270**  
Lumens

**ELECTRICAL**

Powered from low voltage power source with low voltage wiring (not included). Please consult qualified technician.

**MOUNTING**

Suitable for ceiling or wall mounting.

**ENERGY SAVINGS**

Long lasting and efficient ultra bright white LED remote heads.

**LISTING**

UL Listed, RoHS

**WARRANTY**

5 year limited warranty on electrical parts and housing.



**ORDERING SAMPLE: EML-S-WL-1H / EML-S-WL-2H**

Series	Style/Shape	Rating	No. of Head	Finish
<b>EML</b> Remote Head	<b>S</b> (Square)	<b>WL</b> (Wet location)	<b>1H</b> (1 Remote head) <b>2H</b> (2 Remote heads)	Gray