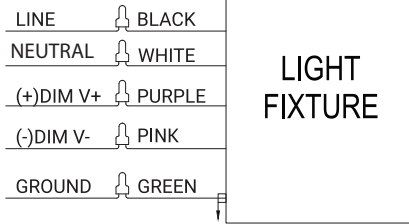




WARNING

- TO REDUCE THE RISK OF DEATH, PERSONAL INJURY OR PROPERTY DAMAGE FROM FIRE, ELECTRIC SHOCK, FALLING PARTS, CUTS/ABRASIONS, AND OTHER HAZARDS READ ALL WARNINGS AND INSTRUCTIONS INCLUDED WITH AND ON THE FIXTURE BOX AND ALL FIXTURE LABELS.
- BEFORE INSTALLING, SERVICING, OR PERFORMING ROUTINE MAINTENANCE UPON THIS EQUIPMENT, FOLLOW THESE GENERAL PRECAUTIONS.
- COMMERCIAL INSTALLATION, SERVICE AND MAINTENANCE OF LUMINAIRES SHOULD BE PERFORMED BY A QUALIFIED LICENSED ELECTRICIAN.
- **FOR THE INSTALLATION:** IF YOU ARE UNSURE ABOUT THE INSTALLATION OR MAINTENANCE OF THE LUMINAIRES, CONSULT A QUALIFIED LICENSED ELECTRICIAN AND CHECK YOUR LOCAL ELECTRICAL CODE.
- TO PREVENT WIRING DAMAGE OR ABRASION, DO NOT EXPOSE WIRING TO EDGES OF SHEET METAL OR OTHER SHARP OBJECTS.
- DO NOT MAKE OR ALTER ANY OPEN HOLES IN AN ENCLOSURE OF WIRING OR ELECTRICAL COMPONENTS DURING KIT INSTALLATION.

GENERAL WIRING DIAGRAM



WARNING

- TURN OFF ELECTRICAL POWER AT FUSE OR CIRCUIT BREAKER BOX BEFORE WIRING FIXTURE TO THE POWER SUPPLY.
- TURN OFF THE POWER WHEN YOU PERFORM ANY MAINTENANCE.
- VERIFY THAT SUPPLY VOLTAGE IS CORRECT BY COMPARING IT WITH THE LUMINAIRE LABEL INFORMATION.
- ALL WIRING CONNECTIONS SHOULD BE CAPPED WITH UL APPROVED WIRE CONNECTORS.

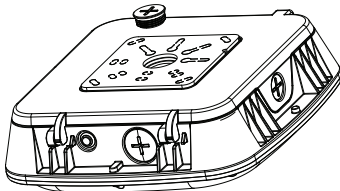
CAUTION

- AVOID DIRECT EYE EXPOSURE TO THE LIGHT SOURCE WHILE IT IS ON.
- ACCOUNT FOR SMALL PARTS AND DESTROY PACKING MATERIAL, AS THESE MAY BE HAZARDOUS TO CHILDREN.
- **RISK OF BURN.** DISCONNECT POWER AND ALLOW FIXTURE TO COOL BEFORE HANGING BULB OR HANDLING FIXTURE.

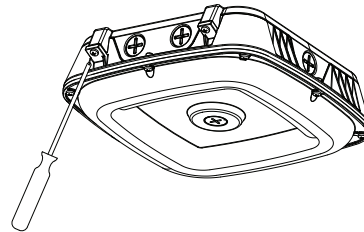
INSTALLATION (ALWAYS TURN OFF THE POWER SUPPLY FROM MAIN CIRCUIT BREAKER FIRST!)

PREPARATION BEFORE INSTALLATION

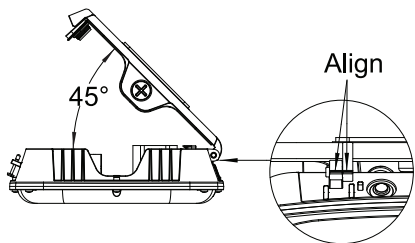
1. Remove the plug from the top of the fixture to expose the NPT threads.



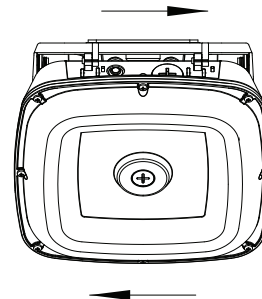
2. Loosen the screws on the front of the housing.



3. Let the front housing and the rear cover form a 45° angle by aligning with the scale at the shaft.

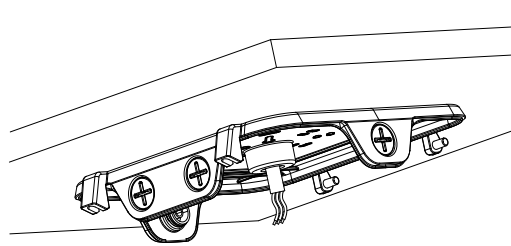


4. Slide the front housing to detach from the rear cover.

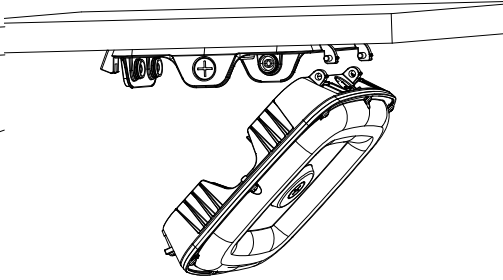


SURFACE MOUNTING:

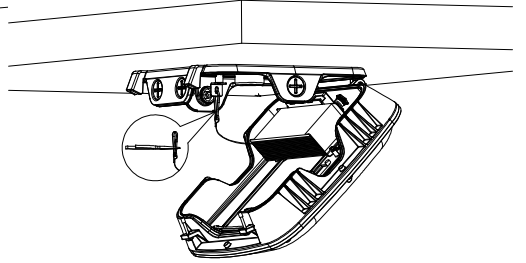
1. Drill holes according to the mounting holes on the cover and fix the cover to the ceiling with mounting screws.



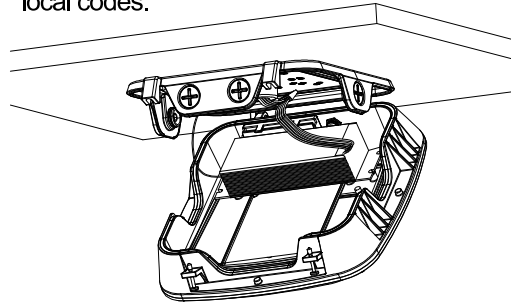
2. Re-attach the front housing to the rear cover by connecting the hinges.



3. Use the needle-nose pliers to unfasten the buckle on the safety rope and engage it in the hook of the upper cover.



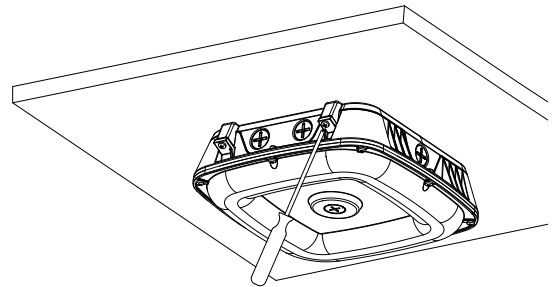
4. Turn off the power, make electrical connections as shown in the wiring diagram, use approved wiring connectors and wire to local codes.



5. Close the housing and screw it down, be careful not to clamp the wires. Installation complete.

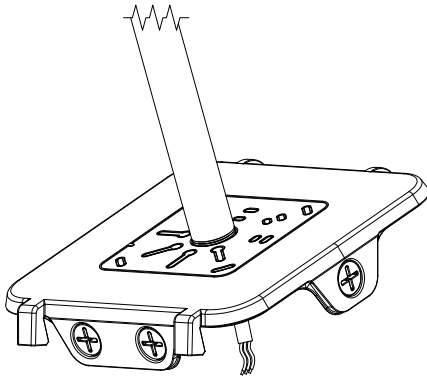
NOTE:

To weather-proof your outdoor installation, be sure to seal all holes and perimeter of the bottom housing with sealant silicone.

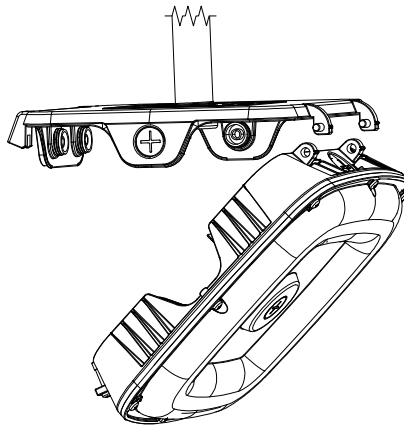


PENDANT MOUNTING:

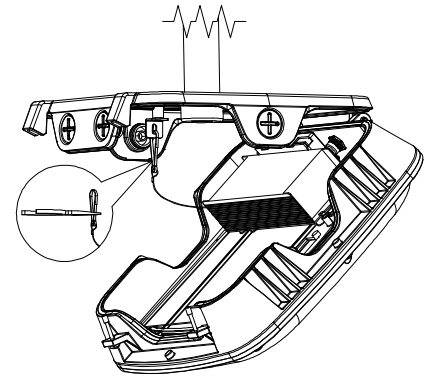
1. Fix the cover to the 3/4" threaded conduit pipe.
Note: Seal thread using Teflon tape or silicone sealant



2. Re-attach the front housing to the rear cover by connecting the hinges.

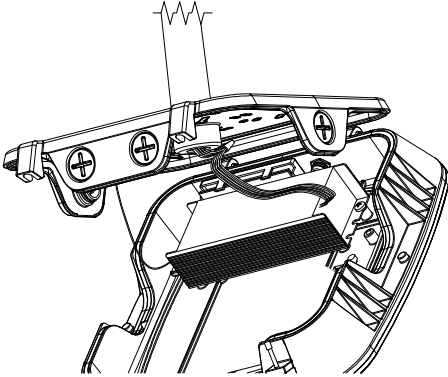


3. Use the needle-nose pliers to unfasten the buckle on the safety rope and engage it in the hook of the upper cover.



CABLE SUSPENDED MOUNTING

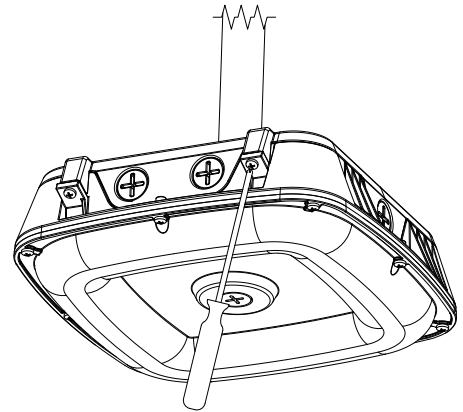
4. Turn off the power, make electrical connections as shown in the wiring diagram, use approved wiring connectors and wire to local codes.



5. Close the housing and screw it down, be careful not to clamp the wires. Installation complete.

NOTE:

To weather-proof your outdoor installation, be sure to seal all holes and perimeter of the bottom housing with sealant silicone.



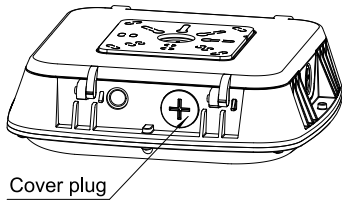
FUNCTION ADJUSTMENT

Follow instructions below to change the Fixture Power (W) and/or Color Temperature (CCT) from factory settings:
Factory Default Settings: Max wattage, 5000K

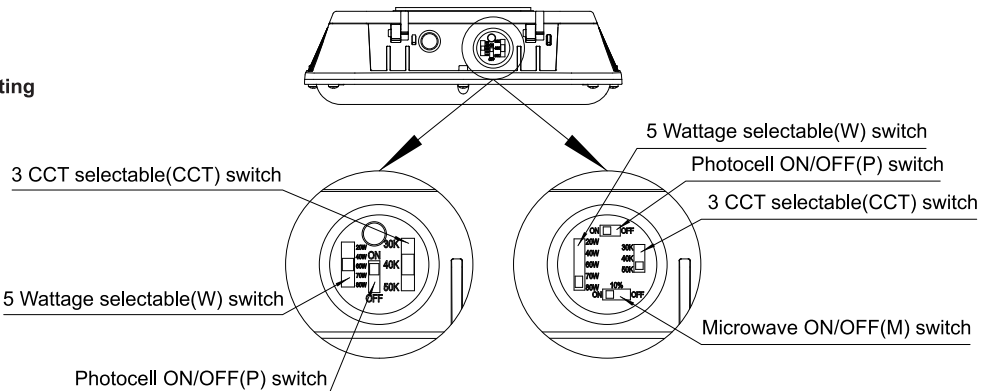
1. Remove the selector switch cover plug as shown in the figure.
2. Select Color Temperature(CCT), Power (W), Photocell ON/OFF(P) position, and/or Microwave ON/OFF(M) position by sliding the respective switch to the desired value.



Do not operate with power on.
Please turn off the power when adjusting the power or color temperature.

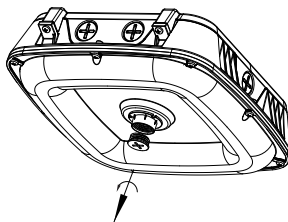


Cover plug



SENSOR INSTALLATION

1. Remove the plug-in receptacle screw plug according to the arrow direction.



2. Install the plug-in sensor on the plug-in receptacle.

