

INSTALLATION INSTRUCTIONS

PT-DDL2 SERIES

PT-DDL2-4I-10W-5CCT

PORTOR
LIGHTING
a PORTOR INDUSTRY brand

TUNABLE
5 CCT
SELECTABLE

LED
DISK
DOWNLIGHT



WARNING

FOR YOUR SAFETY READ AND UNDERSTAND INSTRUCTIONS COMPLETELY BEFORE STARTING INSTALLATION. BEFORE WIRING TO POWER SUPPLY, TURN OFF ELECTRICITY AT THE FUSE OR CIRCUIT BREAKER BOX.

CAUTION: RISK OF FIRE

SUPPLY CONDUCTORS (POWER WIRES) CONNECTING THE FIXTURE MUST BE RATED MINIMUM 90°C IF UNCERTAIN, CONSULT AN ELECTRICIAN.

CAUTION: RISK OF ELECTRIC SHOCK

DISCONNECT POWER BEFORE OR CIRCUIT BREAKER BEFORE INSTALLING OR SERVICING.

SAFETY PRECAUTIONS

FOR SAFETY, READ AND UNDERSTAND INSTRUCTIONS COMPLETELY BEFORE STARTING INSTALLATION. ELECTRICITY SHOULD BE TURNED OFF AT THE FUSE OR THE CIRCUIT BREAKER BOX BEFORE INSTALLING THE FIXTURE. ALL ELECTRICAL CONNECTIONS MUST BE IN ACCORDANCE WITH N. E. C. OR YOUR LOCAL CODE.

ASSEMBLY INSTRUCTIONS

1. PREPARING FOR INSTALLATION: DISCONNECT ELECTRICAL POWER BEFORE INSTALLING OR SERVICING ANY PART OF THIS FIXTURE.
2. THIS PRODUCT SHALL BE SURFACE MOUNTED WITH JUNCTION BOX OR NON-COMBUSTIBLE SURFACE ABOVE 4 FEET (1.2 METER) HIGH. USER SHOULD PREPARE NECESSARY ACCESSORIES AND SPARE PARTS (NOT PROVIDED) INCLUDING JUNCTION BOX AND SCREWS.

PACKAGE CONTENTS

A
LED Disk Light



(1 pc)

B
Mounting screws



(2 pcs)

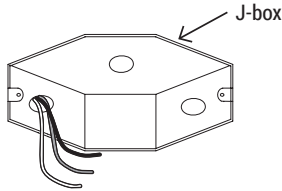
C
Wire nuts



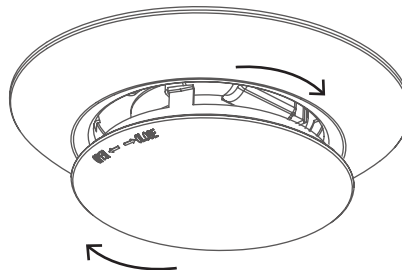
(3 pcs)

INSTALLATION (CONSULT A QUALIFIED ELECTRICIAN BEFORE INSTALLING)

1. Make sure power off and the Junction Box is securely mounted before installation. (This disk light is compatible with 2.75" Junction Box)

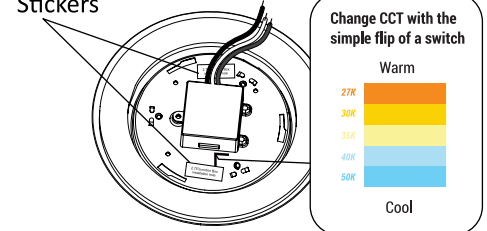


2. Remove lens by twisting clockwise.

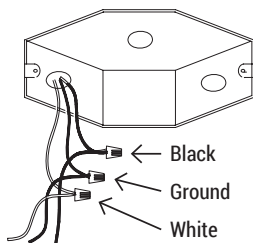


3. Remove the two stickers at the disk light back that read as 2.75" Junction Box installation hole to reveal the screws lots. Select lamp color desired with the CCT switch.

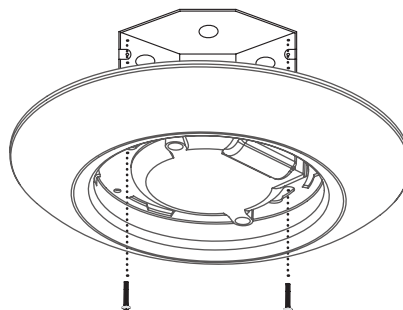
Stickers



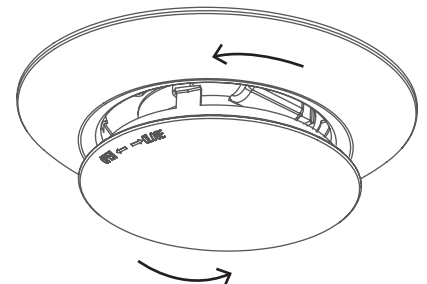
4. Connect the supply wires to the wires of disk light by using 3 wire nuts. Attach white to white, black to black, green to the ground wire.



5. Arrange the wires into the Junction Box. Align appropriate slots in the disk light with the holes in the Junction Box. Use 2 screws to attach the disk light, flush with the ceiling.



6. Placing the lens back into it's original position by twisting it in counter clockwise direction.



INSTALLATION INSTRUCTIONS

PT-DDL2 SERIES

PT-DDL2-6I-15W-5CCT

PORTOR
LIGHTING
a PORTOR INDUSTRY brand

TUNABLE
5 CCT
SELECTABLE

LED
DISK
DOWNLIGHT



WARNING

FOR YOUR SAFETY READ AND UNDERSTAND INSTRUCTIONS COMPLETELY BEFORE STARTING INSTALLATION. BEFORE WIRING TO POWER SUPPLY, TURN OFF ELECTRICITY AT THE FUSE OR CIRCUIT BREAKER BOX.

CAUTION: RISK OF FIRE

SUPPLY CONDUCTORS (POWER WIRES) CONNECTING THE FIXTURE MUST BE RATED MINIMUM 90°C IF UNCERTAIN, CONSULT AN ELECTRICIAN.

CAUTION: RISK OF ELECTRIC SHOCK

DISCONNECT POWER BEFORE OR CIRCUIT BREAKER BEFORE INSTALLING OR SERVICING.

SAFETY PRECAUTIONS

FOR SAFETY, READ AND UNDERSTAND INSTRUCTIONS COMPLETELY BEFORE STARTING INSTALLATION. ELECTRICITY SHOULD BE TURNED OFF AT THE FUSE OR THE CIRCUIT BREAKER BOX BEFORE INSTALLING THE FIXTURE. ALL ELECTRICAL CONNECTIONS MUST BE IN ACCORDANCE WITH N. E. C. OR YOUR LOCAL CODE.

ASSEMBLY INSTRUCTIONS

1. PREPARING FOR INSTALLATION: DISCONNECT ELECTRICAL POWER BEFORE INSTALLING OR SERVICING ANY PART OF THIS FIXTURE.
2. THIS PRODUCT SHALL BE SURFACE MOUNTED WITH JUNCTION BOX OR NON-COMBUSTIBLE SURFACE ABOVE 4 FEET (1.2 METER) HIGH. USER SHOULD PREPARE NECESSARY ACCESSORIES AND SPARE PARTS (NOT PROVIDED) INCLUDING JUNCTION BOX AND SCREWS.

PACKAGE CONTENTS

A

LED Disk Light



(1 pc)

B

Mounting screws



(2 pcs)

C

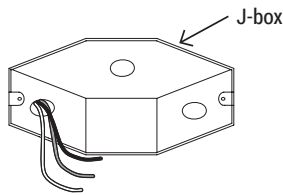
Wire nuts



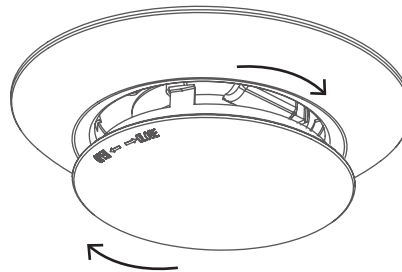
(3 pcs)

INSTALLATION (CONSULT A QUALIFIED ELECTRICIAN BEFORE INSTALLING)

1. Make sure power off and the Junction Box is securely mounted before installation. (This disk light is compatible with 3.5" Junction Box)

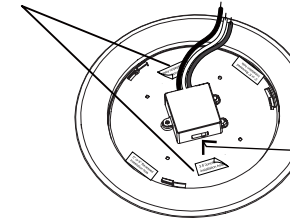


2. Remove lens by twisting clockwise.

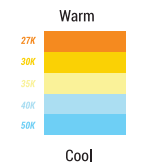


3. Remove the two stickers at the disk light back that read as 3.5" Junction Box installation hole to reveal the screws lots. Select lamp color desired with the CCT switch.

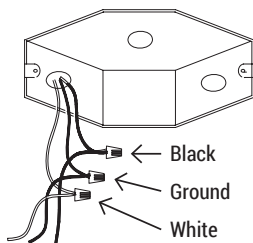
Stickers



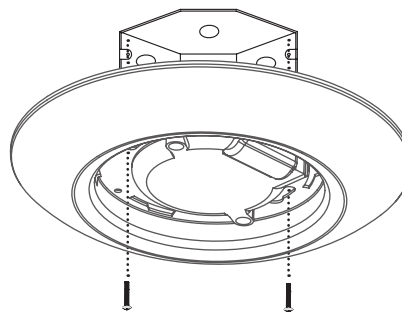
Change CCT with the simple flip of a switch



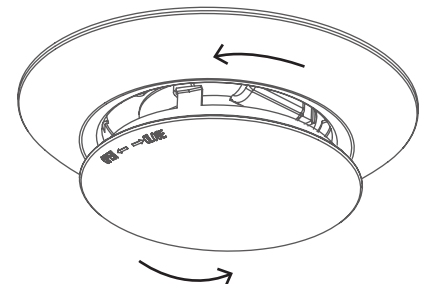
4. Connect the supply wires to the wires of disk light by using 3 wire nuts. Attach white to white, black to black, green to the ground wire.



5. Arrange the wires into the Junction Box. Align appropriate slots in the disk light with the holes in the Junction Box. Use 2 screws to attach the disk light, flush with the ceiling.



6. Placing the lens back into its original position by twisting it in counter clockwise direction.



INSTALLATION INSTRUCTIONS

PT-DDL2 SERIES

PT-DDL2-8I-18W-5CCT

PORTOR
LIGHTING
a PORTOR INDUSTRY brand

TUNABLE
5 CCT
SELECTABLE

LED
DISK
DOWNLIGHT



WARNING

FOR YOUR SAFETY READ AND UNDERSTAND INSTRUCTIONS COMPLETELY BEFORE STARTING INSTALLATION. BEFORE WIRING TO POWER SUPPLY, TURN OFF ELECTRICITY AT THE FUSE OR CIRCUIT BREAKER BOX.

CAUTION: RISK OF FIRE

SUPPLY CONDUCTORS (POWER WIRES) CONNECTING THE FIXTURE MUST BE RATED MINIMUM 90°C IF UNCERTAIN, CONSULT AN ELECTRICIAN.

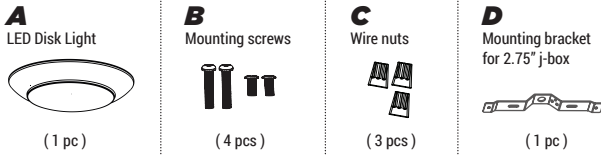
CAUTION: RISK OF ELECTRIC SHOCK

DISCONNECT POWER BEFORE OR CIRCUIT BREAKER BEFORE INSTALLING OR SERVICING.

SAFETY PRECAUTIONS

FOR SAFETY, READ AND UNDERSTAND INSTRUCTIONS COMPLETELY BEFORE STARTING INSTALLATION. ELECTRICITY SHOULD BE TURNED OFF AT THE FUSE OR THE CIRCUIT BREAKER BOX BEFORE INSTALLING THE FIXTURE. ALL ELECTRICAL CONNECTIONS MUST BE IN ACCORDANCE WITH N. E. C. OR YOUR LOCAL CODE.

PACKAGE CONTENTS

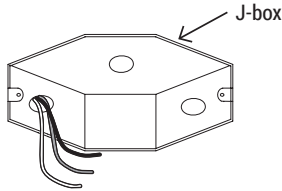


ASSEMBLY INSTRUCTIONS

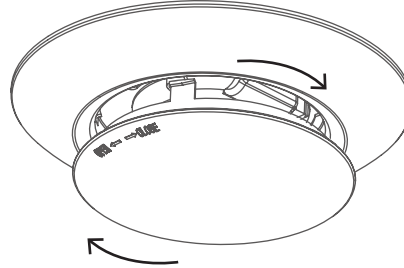
1. PREPARING FOR INSTALLATION: DISCONNECT ELECTRICAL POWER BEFORE INSTALLING OR SERVICING ANY PART OF THIS FIXTURE.
2. THIS PRODUCT SHALL BE SURFACE MOUNTED WITH JUNCTION BOX OR NON-COMBUSTIBLE SURFACE ABOVE 4 FEET (1.2 METER) HIGH. USER SHOULD PREPARE NECESSARY ACCESSORIES AND SPARE PARTS (NOT PROVIDED) INCLUDING JUNCTION BOX AND SCREWS.

INSTALLATION (CONSULT A QUALIFIED ELECTRICIAN BEFORE INSTALLING)

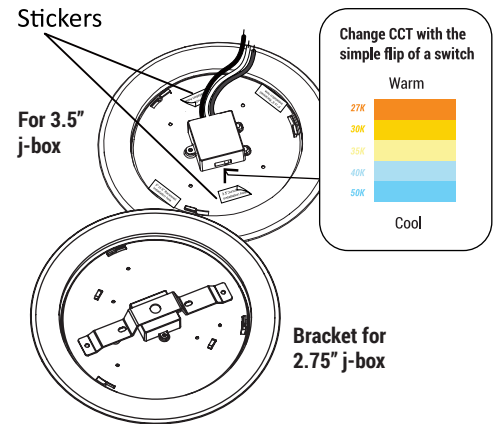
- 1.** Make sure power off and the Junction Box is securely mounted before installation. (This disk light is compatible with 2.75" or 3.5" Junction Box)



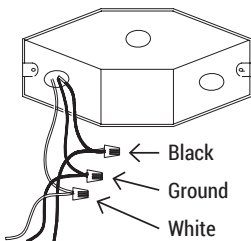
- 2.** Remove lens by twisting clockwise.



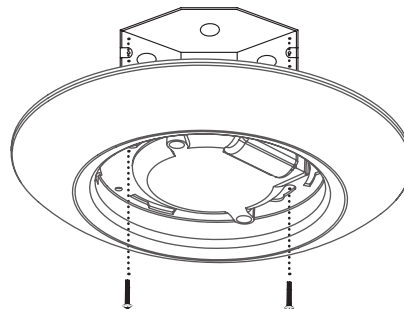
- 3.** Remove the two stickers at the disk light back that read as 2.75" / 3.5" Junction Box installation hole to reveal the screws lots. The bracket use for 2.75" Junction box. Select lamp color desired with the CCT switch.



- 4.** Connect the supply wires to the wires of disk light by using 3 wire nuts. Attach white to white, black to black, green to the ground wire.



- 5.** Arrange the wires into the Junction Box. Align appropriate slots in the disk light with the holes in the Junction Box. Use 2 screws to attach the disk light, flush with the ceiling.



- 6.** Placing the lens back into its original position by twisting it in counter clockwise direction.

