

INSTALLATION INSTRUCTIONS

PT-DLSM-S SERIES

PT-DLSM-S-12I-22W-3CCT

PORTOR
LIGHTING
a PORTOR INDUSTRY brand



CAUTION: RISK OF ELECTRIC SHOCK

DISCONNECT POWER BEFORE CONNECTING THE FIXTURE. FAIL TO DO SO MAY PERMANENTLY DAMAGE THE LEDS.

WARNING DO NOT REMOVE OR ATTEMPT TO REMOVE LEDS.

SAFETY PRECAUTIONS

FOR SAFETY, READ AND UNDERSTAND INSTRUCTIONS COMPLETELY BEFORE STARTING INSTALLATION. ELECTRICITY SHOULD BE TURNED OFF AT THE FUSE OR THE CIRCUIT BREAKER BOX BEFORE INSTALLING THE FIXTURE. ALL ELECTRICAL CONNECTIONS MUST BE IN ACCORDANCE WITH N. E. C. OR YOUR LOCAL CODE.

ASSEMBLY INSTRUCTIONS

1. PREPARING FOR INSTALLATION: DISCONNECT ELECTRICAL POWER BEFORE INSTALLING OR SERVICING ANY PART OF THIS FIXTURE.
2. THIS PRODUCT SHALL BE SURFACE MOUNTED WITH JUNCTION BOX OR NON-COMBUSTIBLE SURFACE ABOVE 4 FEET (1.2 METER) HIGH. USER SHOULD PREPARE NECESSARY ACCESSORIES AND SPARE PARTS (NOT PROVIDED) INCLUDING JUNCTION BOX AND SCREWS.

PACKAGE CONTENTS

A
LED Surface Mount

(1 pc)

B
Mounting screws

(2 pcs)

C
Wire nuts

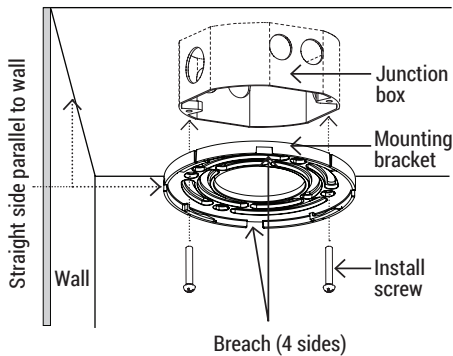
(3 pcs)

D
Mounting plate

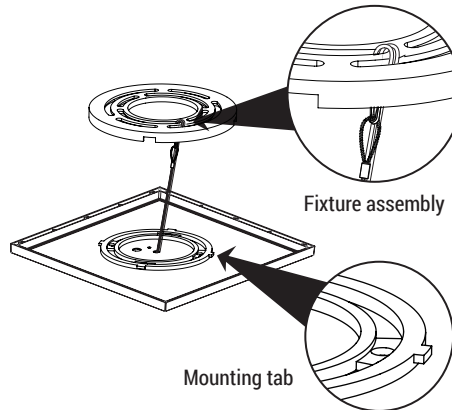
(1 pc)

J-BOX INSTALLATION (CONSULT A QUALIFIED ELECTRICIAN BEFORE INSTALLING)

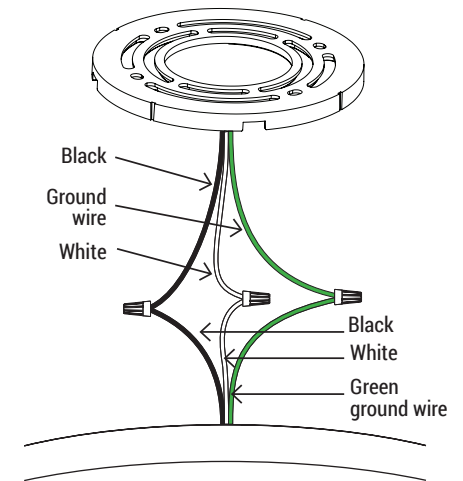
1. Hold Mounting Bracket up to junction box with flange facing down. Align breach side of the Mounting Bracket parallel to nearest wall. Screws mounting bracket to j-box.



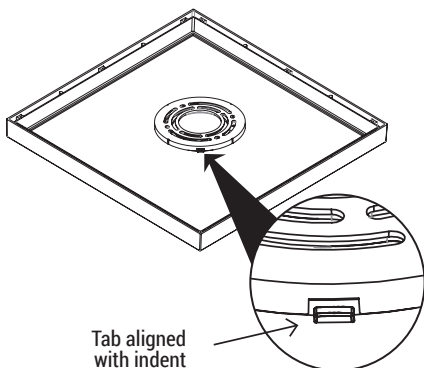
2. Before working wire connections, attach to hook side of safety cable on mounting bracket.



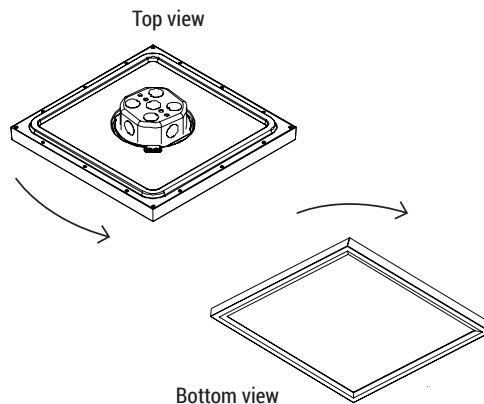
3. With the power turned off, Connect the green groundwire from the fixture to the bare copper groundwire from the junction box using a wirenut (If house wiring does not include a ground wire, consult your local electrical code for approved grounding methods) Use Wirenuts to connect black fixture wire to the black power supply wire and white fixture wire to the white power supply wire.



4. Attach provided to indents (opening) of the Mounting Bracket and align mounting tabs on back of the fixture with indents in the Mounting Bracket.



5. Using sticker on the fixture (reference point for mounting tab) and on the ceiling as reference point, lift fixture up to the ceiling and rotate clockwise until fixture is secured (45-degree turn until it locks).



THIS LED LIGHT IS SUITABLE TO BE DIMMED BY LUTRON # CTCL-153P, PVCL-153P