

# INSTALLATION INSTRUCTIONS

## PT-EML SERIES

(PT-EML-R)

**PORTOR**  
LIGHTING  
a PORTOR INDUSTRY brand



### READ THESE INSTRUCTIONS COMPLETELY AND CAREFULLY

**WARNING:** FAILURE TO FOLLOW THESE INSTRUCTIONS AND WARNINGS MAY RESULT IN DEATH, SERIOUS INJURY OR SIGNIFICANT PROPERTY DAMAGE. FOR YOUR PROTECTION, READ AND FOLLOW THESE WARNINGS AND INSTRUCTIONS CAREFULLY BEFORE INSTALLING OR MAINTAINING THIS EQUIPMENT. THESE INSTRUCTIONS DO NOT ATTEMPT TO COVER ALL INSTALLATION AND MAINTENANCE SITUATIONS. IF YOU DO NOT UNDERSTAND THESE INSTRUCTIONS OR ADDITIONAL INFORMATION IS REQUIRED, CONTACT THE MANUFACTURER.

**IMPORTANT SAFEGUARDS: WHEN USING ELECTRICAL EQUIPMENT, BASIC SAFETY PRECAUTIONS SHOULD ALWAYS BE FOLLOWED, INCLUDING THE FOLLOWING:**

1. Do not use outdoors.
2. Equipment should be mounted in locations and at heights where it will not be subject to tampering by unauthorized personnel.
3. Do not mount near gas or electric heaters.
4. The use of accessory equipment not recommended by the manufacturer may cause an unsafe condition.
5. Do not use this equipment for anything other than its intended use.
6. Servicing of this equipment should be performed by qualified personnel.
7. Disconnect AC power before servicing.

### WARNING RISK OF FIRE

Lamps are hot. Keep combustible material away from hot parts. Observe lamp manufacture's warnings, recommendations and restrictions on lamp operation and maintenance. Make sure lamps are correctly installed.

### WARNING RISK OF ELECTRIC SHOCK

NEVER CONNECT TO, DISCONNECT FROM, OR SERVICE WHILE EQUIPMENT IS ENERGIZED.

### IMPORTANT

Let the battery charge up for at least 24 hours. Then normal operation of this unit should take effect. To check, press the "TEST" button. The LED lamps on the unit should turn ON. During an electrical power failure, the led lamps will automatically come on for a minimum of 90 minutes. In accordance with NFPA 101, your emergency lighting system must be tested monthly for a minimum of 30 seconds and annually for 90 minutes. Refer to your local codes for any additional requirements that may apply.

## INSTALLATION (ALWAYS TURN OFF THE POWER SUPPLY FROM MAIN CIRCUIT BREAKER FIRST!)

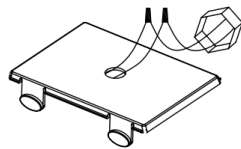
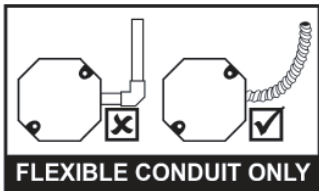


FIG. A (J-Box)

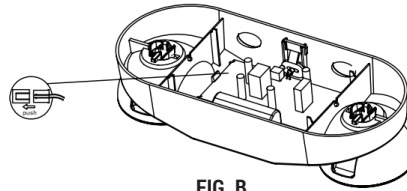


FIG. B

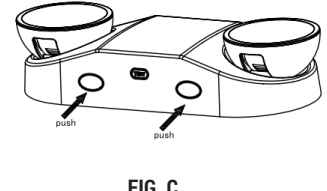


FIG. C

#### NOTE:

- Unused wires must be capped using enclosed wire nuts.

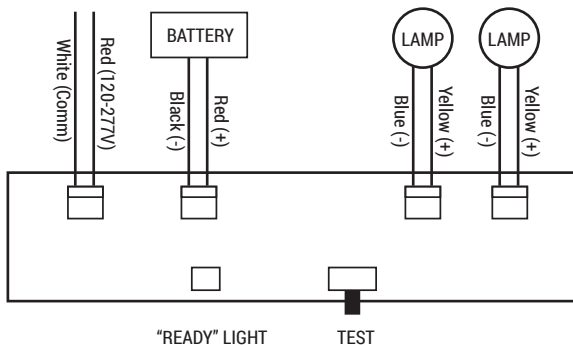
### INSTALLATION (J-BOX MOUNTING)

1. Feed fixture leads through back plate and connect AC power supply (Fig A).
2. Connect wires through J-Box. Mount back plate on J-Box and secure with screws.
3. Connect battery only after continuous AC power can be provided to the unit (Fig B).
4. Align snaps and push housing directly onto main bottom case (Fig C). Apply continuous AC power and press "TEST" button to check light.

### INSTALLATION (CONDUIT)

1. Secure back plate to wall surface. Route wires through hole in conduit flange and make conduit connection.
2. Connect battery only after continuous AC power can be provided to the unit (Fig B).
3. Align snaps and push housing directly onto back plate (Fig C). Apply continuous AC power and press "TEST" button to check light.

## WIRING DIAGRAM



## OPERATION

1. DURING AN ELECTRICAL POWER FAILURE, THE LED LAMPS WILL AUTOMATICALLY COME ON FOR A MINIMUM OF 90 MINUTES.
2. TO TEST, DEPRESS THE "TEST" SWITCH. THE EMERGENCY LED LAMPS WILL ILLUMINATE. WHEN THE SWITCH IS RELEASED THE, LAMPS WILL GO OFF.

#### NOTE:

- Use 18-22 AWG stranded wire to connect remote lamp heads.

# INSTALLATION INSTRUCTIONS

## PT-EML SERIES

PT-EML-S-RC

**PORTOR**  
LIGHTING  
a PORTOR INDUSTRY brand

**R** REMOTE CAPABLE



### READ THESE INSTRUCTIONS COMPLETELY AND CAREFULLY

**WARNING:** FAILURE TO FOLLOW THESE INSTRUCTIONS AND WARNINGS MAY RESULT IN DEATH, SERIOUS INJURY OR SIGNIFICANT PROPERTY DAMAGE. FOR YOUR PROTECTION, READ AND FOLLOW THESE WARNINGS AND INSTRUCTIONS CAREFULLY BEFORE INSTALLING OR MAINTAINING THIS EQUIPMENT. THESE INSTRUCTIONS DO NOT ATTEMPT TO COVER ALL INSTALLATION AND MAINTENANCE SITUATIONS. IF YOU DO NOT UNDERSTAND THESE INSTRUCTIONS OR ADDITIONAL INFORMATION IS REQUIRED, CONTACT THE MANUFACTURER.

**IMPORTANT SAFEGUARDS: WHEN USING ELECTRICAL EQUIPMENT, BASIC SAFETY PRECAUTIONS SHOULD ALWAYS BE FOLLOWED, INCLUDING THE FOLLOWING:**

1. Do not use outdoors.
2. Equipment should be mounted in locations and at heights where it will not be subject to tampering by unauthorized personnel.
3. Do not mount near gas or electric heaters.
4. The use of accessory equipment not recommended by the manufacturer may cause an unsafe condition.
5. Do not use this equipment for anything other than its intended use.
6. Servicing of this equipment should be performed by qualified personnel.
7. Disconnect AC power before servicing.

### WARNING RISK OF FIRE

Lamps are hot. Keep combustible material away from hot parts. Observe lamp manufacture's warnings, recommendations and restrictions on lamp operation and maintenance. Make sure lamps are correctly installed.

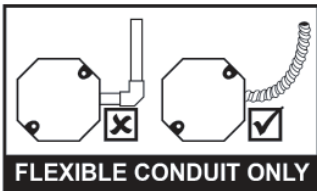
### WARNING RISK OF ELECTRIC SHOCK

NEVER CONNECT TO, DISCONNECT FROM, OR SERVICE WHILE EQUIPMENT IS ENERGIZED.

### IMPORTANT

Let the battery charge up for at least 24 hours. Then normal operation of this unit should take effect. To check, press the "TEST" button. The LED lamps on the unit should turn ON. During an electrical power failure, the led lamps will automatically come on for a minimum of 90 minutes. In accordance with NFPA 101, your emergency lighting system must be tested monthly for a minimum of 30 seconds and annually for 90 minutes. Refer to your local codes for any additional requirements that may apply.

## INSTALLATION (ALWAYS TURN OFF THE POWER SUPPLY FROM MAIN CIRCUIT BREAKER FIRST!)



**NOTE:**  
• Unused wires must be capped using enclosed wire nuts.

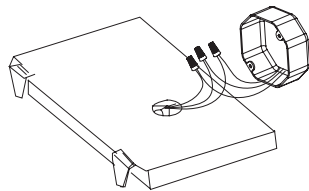


FIG. A (J-Box)

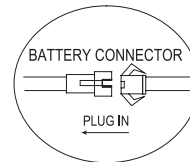


FIG. B

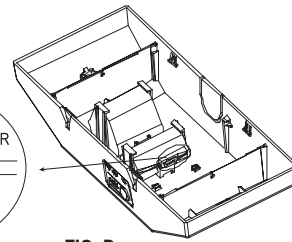


FIG. C

### INSTALLATION (J-BOX MOUNTING)

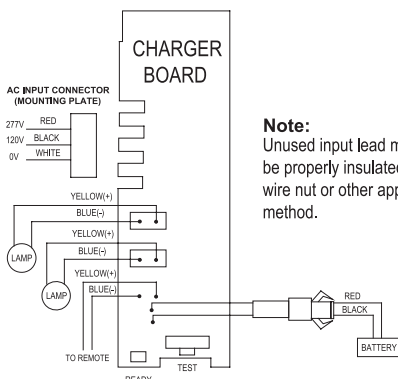
1. Feed fixture leads through the back plate and connect to AC power supply (Fig A). For 120V use black and white wires and for 277V, use red and white wires.
2. Attach back plate to J-Box and secure with screws.
3. Complete the battery connection. (Fig. B)
4. Align snaps and push housing directly onto the back plate (Fig. C). Apply continuous AC power and press "TEST" button to check light.

### INSTALLATION (CONDUIT)

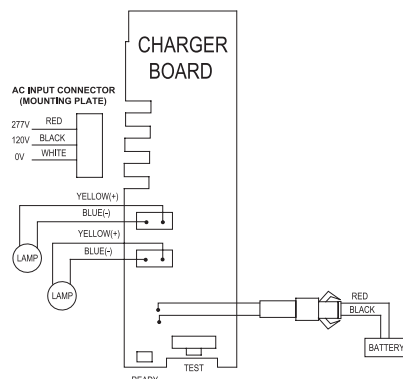
1. Secure back plate to wall surface. Route wires through hole in conduit flange and make conduit connection. For 120V, use black and white wires and for 277V, use red and white wires.
2. Complete the battery connection (Fig. B).
3. Align snaps and push housing directly onto the back plate (Fig. C). Apply continuous AC power and press "TEST" button to check light.

## WIRING DIAGRAM

### REMOTE CAPABLE



### REGULAR



**Note:**  
Unused input lead must be properly insulated with wire nut or other approved method.

## OPERATION

1. DURING AN ELECTRICAL POWER FAILURE, THE LED LAMPS WILL AUTOMATICALLY COME ON FOR A MINIMUM OF 90 MINUTES.
2. TO TEST, DEPRESS THE "TEST" SWITCH. THE EMERGENCY LED LAMPS WILL ILLUMINATE. WHEN THE SWITCH IS RELEASED THE, LAMPS WILL GO OFF.

**NOTE:**  
Use 18-22 AWG stranded wire to connect remote lamp heads.

# INSTALLATION INSTRUCTIONS

## PT-EML SERIES

(PT-EML-S)

**PORTOR**  
LIGHTING  
a PORTOR INDUSTRY brand



### READ THESE INSTRUCTIONS COMPLETELY AND CAREFULLY

**WARNING:** FAILURE TO FOLLOW THESE INSTRUCTIONS AND WARNINGS MAY RESULT IN DEATH, SERIOUS INJURY OR SIGNIFICANT PROPERTY DAMAGE. FOR YOUR PROTECTION, READ AND FOLLOW THESE WARNINGS AND INSTRUCTIONS CAREFULLY BEFORE INSTALLING OR MAINTAINING THIS EQUIPMENT. THESE INSTRUCTIONS DO NOT ATTEMPT TO COVER ALL INSTALLATION AND MAINTENANCE SITUATIONS. IF YOU DO NOT UNDERSTAND THESE INSTRUCTIONS OR ADDITIONAL INFORMATION IS REQUIRED, CONTACT THE MANUFACTURER.

**IMPORTANT SAFEGUARDS: WHEN USING ELECTRICAL EQUIPMENT, BASIC SAFETY PRECAUTIONS SHOULD ALWAYS BE FOLLOWED, INCLUDING THE FOLLOWING:**

1. Do not use outdoors.
2. Equipment should be mounted in locations and at heights where it will not be subject to tampering by unauthorized personnel.
3. Do not mount near gas or electric heaters.
4. The use of accessory equipment not recommended by the manufacturer may cause an unsafe condition.
5. Do not use this equipment for anything other than its intended use.
6. Servicing of this equipment should be performed by qualified personnel.
7. Disconnect AC power before servicing.

### WARNING RISK OF FIRE

Lamps are hot. Keep combustible material away from hot parts. Observe lamp manufacture's warnings, recommendations and restrictions on lamp operation and maintenance. Make sure lamps are correctly installed.

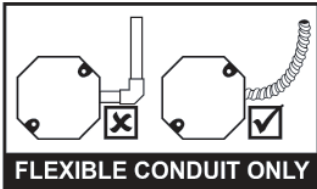
### WARNING RISK OF ELECTRIC SHOCK

NEVER CONNECT TO, DISCONNECT FROM, OR SERVICE WHILE EQUIPMENT IS ENERGIZED.

### IMPORTANT

Let the battery charge up for at least 24 hours. Then normal operation of this unit should take effect. To check, press the "TEST" button. The LED lamps on the unit should turn ON. During an electrical power failure, the led lamps will automatically come on for a minimum of 90 minutes. In accordance with NFPA 101, your emergency lighting system must be tested monthly for a minimum of 30 seconds and annually for 90 minutes. Refer to your local codes for any additional requirements that may apply.

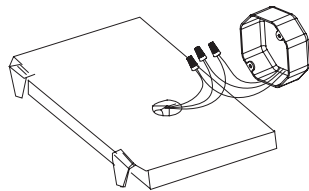
## INSTALLATION (ALWAYS TURN OFF THE POWER SUPPLY FROM MAIN CIRCUIT BREAKER FIRST!)



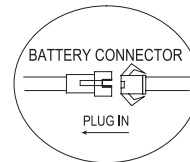
**FLEXIBLE CONDUIT ONLY**

**NOTE:**

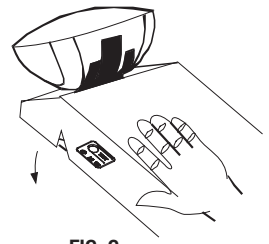
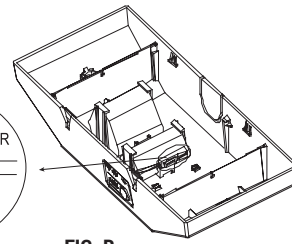
- Unused wires must be capped using enclosed wire nuts.



**FIG. A (J-Box)**



**FIG. B**



**FIG. C**

### INSTALLATION (J-BOX MOUNTING)

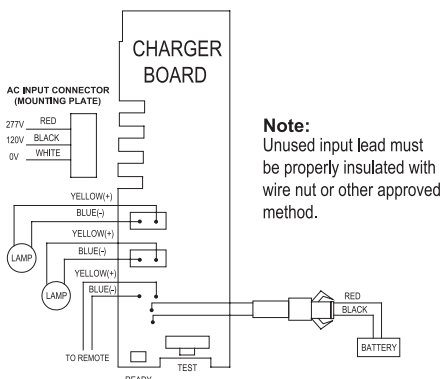
1. Feed fixture leads through the back plate and connect to AC power supply (Fig A). For 120V use black and white wires and for 277V, use red and white wires.
2. Attach back plate to J-Box and secure with screws.
3. Complete the battery connection. (Fig. B)
4. Align snaps and push housing directly onto the back plate (Fig. C). Apply continuous AC power and press "TEST" button to check light.

### INSTALLATION (CONDUIT)

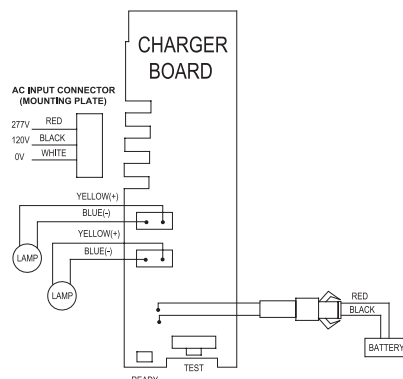
1. Secure back plate to wall surface. Route wires through hole in conduit flange and make conduit connection. For 120V, use black and white wires and for 277V, use red and white wires.
2. Complete the battery connection (Fig. B).
3. Align snaps and push housing directly onto the back plate (Fig. C). Apply continuous AC power and press "TEST" button to check light.

## WIRING DIAGRAM

### REMOTE CAPABLE



### REGULAR



## OPERATION

1. DURING AN ELECTRICAL POWER FAILURE, THE LED LAMPS WILL AUTOMATICALLY COME ON FOR A MINIMUM OF 90 MINUTES.
2. TO TEST, DEPRESS THE "TEST" SWITCH. THE EMERGENCY LED LAMPS WILL ILLUMINATE. WHEN THE SWITCH IS RELEASED THE, LAMPS WILL GO OFF.

**NOTE:**

Use 18-22 AWG stranded wire to connect remote lamp heads.