

INSTALLATION INSTRUCTIONS

PT-EXL-C-R SERIES

(PT-EXL-C-R)

PORTOR
LIGHTING
a PORTOR INDUSTRY brand



READ THESE INSTRUCTIONS COMPLETELY AND CAREFULLY

WARNING: FAILURE TO FOLLOW THESE INSTRUCTIONS AND WARNINGS MAY RESULT IN DEATH, SERIOUS INJURY OR SIGNIFICANT PROPERTY DAMAGE. FOR YOUR PROTECTION, READ AND FOLLOW THESE WARNINGS AND INSTRUCTIONS CAREFULLY BEFORE INSTALLING OR MAINTAINING THIS EQUIPMENT. THESE INSTRUCTIONS DO NOT ATTEMPT TO COVER ALL INSTALLATION AND MAINTENANCE SITUATIONS. IF YOU DO NOT UNDERSTAND THESE INSTRUCTIONS OR ADDITIONAL INFORMATION IS REQUIRED, CONTACT THE MANUFACTURER.

IMPORTANT SAFEGUARDS: WHEN USING ELECTRICAL EQUIPMENT, BASIC SAFETY PRECAUTIONS SHOULD ALWAYS BE FOLLOWED, INCLUDING THE FOLLOWING:

- Do not use outdoors.
- Equipment should be mounted in locations and at heights where it will not be subject to tampering by unauthorized personnel.
- Do not mount near gas or electric heaters.
- Cap unused wires with enclosed wire nuts or other approved method.
- Do not use this equipment for other than its intended use.
- The use of accessory equipment not recommended by the manufacturer will void warranty and may cause an unsafe condition.
- Before wiring to power supply, turn off electricity at fuse or circuit breaker.
- Use caution when servicing batteries.
- Installation and servicing should be performed by qualified personnel.
- Consult local building code for approved wiring and installation.
- Make sure wire terminations are secure and leads are properly tucked in appropriate wire channels.

IMPORTANT

When re-lamping, only use lamps specified in the exit sign. Using other lamp types may result in transformer damage or unsafe conditions. Battery in this unit may not be fully charged. After electricity is hooked up to unit, let the battery charge for at least 24 hours. Normal operation of this unit should then take effect (when applicable).

WARNING RISK OF FIRE

Lamps are hot. Keep combustible material away from hot parts. Observe lamp manufacturer's warnings, recommendations and restrictions on lamp operation and maintenance. Make sure lamps are correctly installed.

WARNING RISK OF ELECTRIC SHOCK

NEVER CONNECT TO, DISCONNECT FROM, OR SERVICE WHILE EQUIPMENT IS ENERGIZED.

INSTALLATION (ALWAYS TURN OFF THE POWER SUPPLY FROM MAIN CIRCUIT BREAKER FIRST!)

TOP MOUNT AND END MOUNT

- Remove the faceplate(s) and lenses from housing and set aside (see Fig. A).
- Remove the canopy kit, hardware pack and mounting plate and set aside.
- Remove the mounting hole plug on the top or either side of the frame.
- Place the canopy nose through the mounting hole until the side of the frame touches the canopy.
- Lock the frame onto the canopy by sliding the frame in a direction parallel to the canopy length toward the narrow end of the mounting hole.
- Slide the frame until both snaps engage the canopy nose preventing any motion back out of the hole.
- Feed the red, black and white wires through the center of the mounting canopy hole.
- Remove the side mounting hole on the right side. Knockout the lamp head mounting hole on the left side with a flathead screwdriver.
- Feed the blue and yellow lamp head wires through side lamp head mounting hole (Step 1).
- Attach the first lamp head to housing by aligning tabs on the lamp head assembly to the lamp head mounting slots on frame of housing (Step 2).
- Gently twist the lamp head clockwise to lock into place. An audible click should be heard. Repeat to install the remaining lamp head.
- Feed the lamp head wires in the appropriate wire channel and connect the lamp head leads to the exit sign lamp board.
- Ensure fixture leads are fed through mounting canopy and connect to AC power leads coming into the junction box.
- Connect the RED lead to the HOT wire of the power supply from 120-277V. Connect the WHITE lead to the NEUTRAL of the supply.
- Cap off any unused remote leads with wire nuts.
- Secure the canopy to the steel mounting plate using the screws provided and fasten to the junction box.
- Toggle the switchable button to select GREEN, if applicable (see Fig. C).
- Connect the battery only after continuous AC power can be provided to the unit.
- Remove the knockout chevron(s) on the faceplate(s), as needed.
- Insert the RED (or GREEN) lens into faceplate (RED – see Fig. A or GREEN – see Fig. B).
- Be sure to keep all wires out of the way of the EXIT letters to eliminate shadows when illuminated.
- Secure faceplate(s) to housing.

REMOTE EMERGENCY LIGHT (IF APPLICABLE)

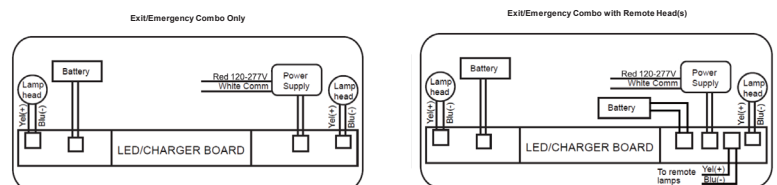
- Use the yellow and blue wires for the remote fixture(s).
- Route the wires outside of the fixture separately or with AC supply wires.

WALL MOUNT

- Remove the faceplate(s) and lenses from housing and set aside (see Fig. A).
- Drill out the appropriate mounting pattern and the wire pass hole in the backplate to fit the junction box being used.
- Feed the red, black and white wires through the center of the backplate.
- Remove the side mounting hole on the right side. Knockout the lamp head mounting hole on the left side with a flathead screwdriver.
- Feed the blue and yellow lamp head wires through side lamp head mounting hole (Step 1).
- Attach the first lamp head to housing by aligning tabs on the lamp head assembly to the lamp head mounting slots on frame of housing (Step 2).
- Gently twist the lamp head clockwise to lock into place. An audible click should be heard. Repeat to install the remaining lamp head.
- Feed the lamp head wires in the appropriate wire channel and connect the lamp head leads to the exit sign lamp board.
- Ensure fixture leads are fed through mounting canopy and connect to AC power leads coming into the junction box.
- Connect the RED lead to the HOT wire of the power supply from 120-277V. Connect the WHITE lead to the NEUTRAL of the supply.
- Cap off any unused remote leads with wire nuts.
- Fasten the backplate to the junction box.
- Toggle the switchable button to select GREEN, if applicable (see Fig. C).
- Connect the battery only after continuous AC power can be provided to the unit.
- Remove the knockout chevron(s) on the faceplate, as needed.
- Insert the RED (or GREEN) lens into faceplate (RED – see Fig. A or GREEN – see Fig. B).
- Be sure to keep all wires out of the way of the EXIT letters to eliminate shadows when illuminated.
- Secure faceplate to housing.

NOTE: THE FIXTURE SHIPS STANDARD WITH THE TOGGLE SWITCH IN THE RED POSITION.

WIRING DIAGRAM



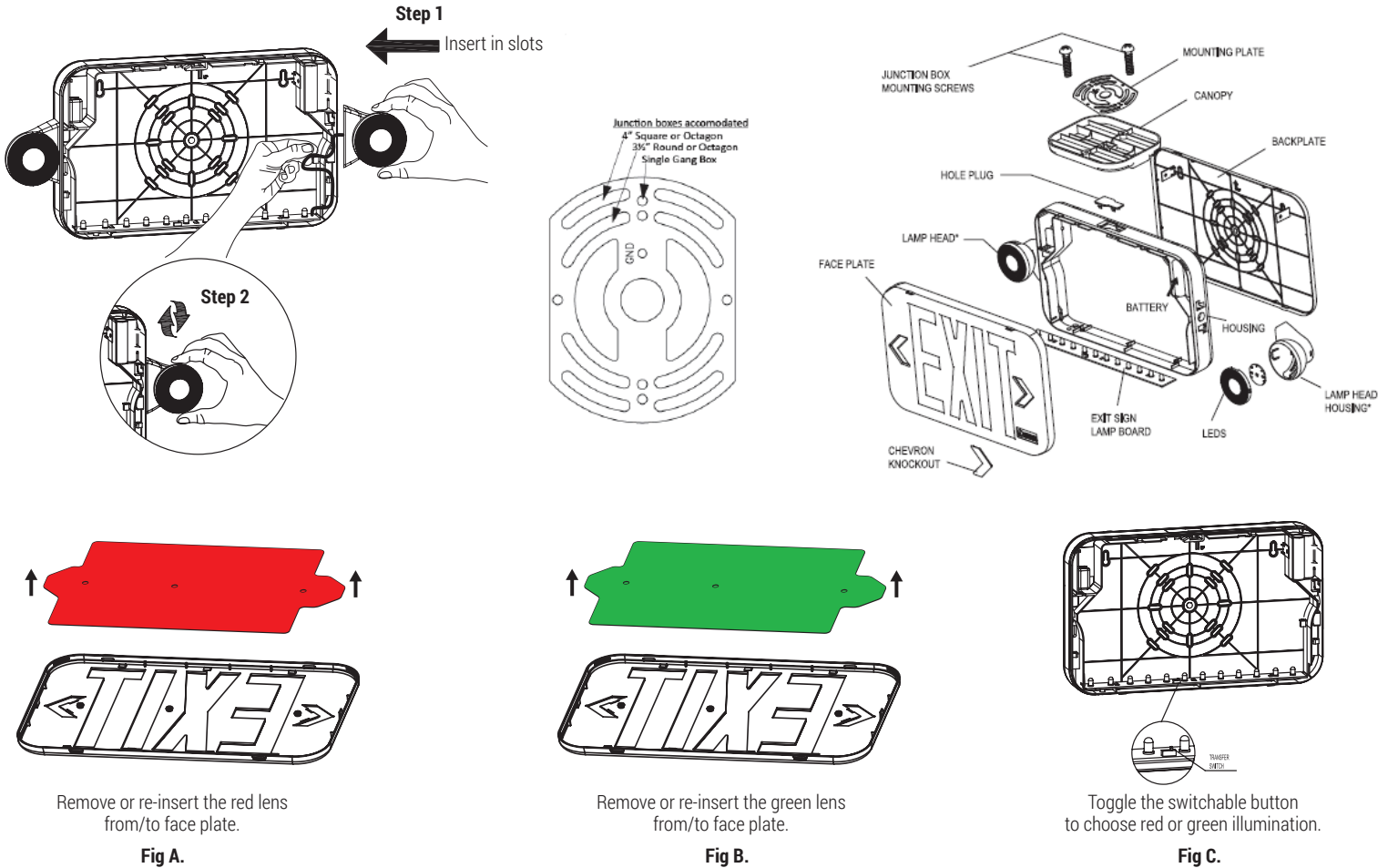
INSTALLATION INSTRUCTIONS

PT-EXL-C-R SERIES

(PT-EXL-C-R)

PORTOR
LIGHTING
a PORTOR INDUSTRY brand

INSTALLATION (ALWAYS TURN OFF THE POWER SUPPLY FROM MAIN CIRCUIT BREAKER FIRST!)



LED STATUS INDICATOR KEY AND TROUBLESHOOTING

VISUAL STATUS	INDICATION	TROUBLE SHOOTING/ACTIONS TO TAKE
UNLIT	<ol style="list-style-type: none"> 1. Battery connection is not made. 2. Battery has been diagnosed as dead or defective after 24 hours of continuous charging with AC power supplied. 3. AC power has not been supplied. 	<ol style="list-style-type: none"> 1. Make connection; or if battery is connected, disconnect battery for eight seconds and then reconnect. 2. Replace the battery. 3. Supply AC power.
RED	Battery is connected, AC power has been supplied and fixture is in charging state.	This is the normal state. No action required.

OPERATION (BATTERY BACKUP):

1. Apply AC power to the unit. The LED Indicator should turn RED.
2. After the battery has been left to charge for 24 hours, test the unit by pushing the switch. The LED indicator turns OFF and the LED board stays ON.
3. When the switch is released, the LEDs turn OFF and the LED indicator turns back to RED.

MAINTENANCE

CAUTION

CAUTION: ALWAYS TURN OFF AC POWER TO THE EQUIPMENT BEFORE SERVICING. SERVICING SHOULD BE PERFORMED ONLY BY A QUALIFIED SERVICE TECHNICIAN. USE ONLY MANUFACTURER SUPPLIED REPLACEMENT PARTS.

BATTERY

THE BATTERY SUPPLIED WITH THE BATTERY BACKUP MODEL REQUIRES NO MAINTENANCE. HOWEVER, IT SHOULD BE TESTED PERIODICALLY (SEE TESTING) AND REPLACED WHEN IT NO LONGER OPERATES THE CONNECTED FIXTURES FOR THE DURATION OF A 30-SECOND OR 90-MINUTE TEST. THE BATTERY SUPPLIED IN THIS EQUIPMENT HAS A LIFE EXPECTANCY OF 5 YEARS WHEN USED IN A NORMAL AMBIENT TEMPERATURE OF 72°F.

TESTING

NATIONAL ELECTRIC CODE (NEC) AND NFPA LIFE SAFETY CODE REGULATIONS REQUIRE THAT ROUTINE TESTS NEED TO BE PERFORMED AS LISTED BELOW: ONCE EVERY MONTH, THE UNIT NEEDS TO BE TESTED FOR DURATION OF 30 SECONDS. PUSH IN AND HOLD THE TEST SWITCH TO PERFORM THIS TEST. ONCE EVERY 12 MONTHS, A FULL 90 MINUTE (PER UL REQUIREMENTS) TEST NEEDS TO BE PERFORMED ON THE UNIT. DISCONNECT POWER TO THE UNIT AND LEAVE IT IN THE EMERGENCY MODE. THE LEDES SHOULD STAY ON FOR AT LEAST 90 MINUTES.

INSTALLATION INSTRUCTIONS

PT-EXL SERIES

PT-EXL-C-S-RC

PORTOR
LIGHTING
a PORTOR INDUSTRY brand



READ THESE INSTRUCTIONS COMPLETELY AND CAREFULLY

WARNING: FAILURE TO FOLLOW THESE INSTRUCTIONS AND WARNINGS MAY RESULT IN DEATH, SERIOUS INJURY OR SIGNIFICANT PROPERTY DAMAGE. FOR YOUR PROTECTION, READ AND FOLLOW THESE WARNINGS AND INSTRUCTIONS CAREFULLY BEFORE INSTALLING OR MAINTAINING THIS EQUIPMENT. THESE INSTRUCTIONS DO NOT ATTEMPT TO COVER ALL INSTALLATION AND MAINTENANCE SITUATIONS. IF YOU DO NOT UNDERSTAND THESE INSTRUCTIONS OR ADDITIONAL INFORMATION IS REQUIRED, CONTACT THE MANUFACTURER.

IMPORTANT SAFEGUARDS: WHEN USING ELECTRICAL EQUIPMENT, BASIC SAFETY PRECAUTIONS SHOULD ALWAYS BE FOLLOWED, INCLUDING THE FOLLOWING:

- Do not use outdoors. Suitable for use in 0°C-40°C (32°F-104°F) indoor damp locations.
- Consult local building code for approved wiring and installation.
- Disconnect AC power before servicing and installation.
- Do not mount near gas or electric heaters.
- Do not use this equipment for anything other than its intended use.
- The use of accessory equipment not recommended by the manufacturer will void product listing and warranty and may cause an unsafe condition.
- Any service on this equipment should be performed by qualified personnel only.
- Equipment should be mounted in locations and at heights where it will not be subject to tampering by unauthorized personnel.
- Use caution when servicing batteries.
- Cap unused wires with enclosed wire nuts or other approved method.
- Make sure wire terminations are secure and leads are properly tucked in appropriate wire channels.

CAUTION

The battery in this unit may not be fully charged. After electricity is connected to unit, let battery charge for at least 24 hours, then normal operation of this unit should take effect. To check, press the TEST button. The lamps on the unit should turn on. (Refer to OPERATION BATTERY BACK UP for more testing information)

WARNING RISK OF FIRE

Lamps are hot. Keep combustible material away from hot parts. Observe lamp manufacturer's warnings, recommendations and restrictions on lamp operation and maintenance. Make sure lamps are correctly installed.

WARNING RISK OF ELECTRIC SHOCK

NEVER CONNECT TO, DISCONNECT FROM, OR SERVICE WHILE EQUIPMENT IS ENERGIZED.

NOTE: MAX MOUNTING HEIGHT IS 10 FT TO ACHIEVE AT LEAST 1 FT-CANDLE OF ILLUMINANCE IN EMERGENCY MODE.

INSTALLATION (ALWAYS TURN OFF THE POWER SUPPLY FROM MAIN CIRCUIT BREAKER FIRST!)

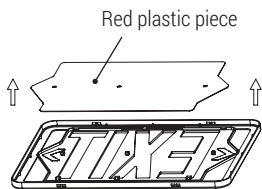


FIG. A

Remove or re-insert the red lens from/to face plate.

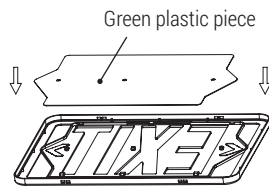


FIG. B

Secure the green lens to face plate.

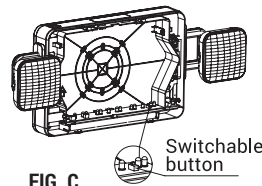
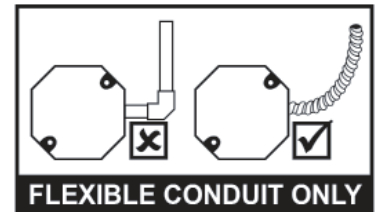


FIG. C

Toggle the switchable button to choose red or green illumination.



BACK MOUNT

1. Remove EXIT stencil faceplate from housing. Remove RED lens from faceplate(see fig. A). Set aside.
2. Drill or knock out appropriate knockouts on back plate to fit junction box mounting points.
3. Drill or knock out center hole in back plate for EXIT supply wire leads.
4. Route EXIT supply wires through center hole of the back plate and make wiring connection. For 120V, use black and white wires and for 277V, use red and white wires. **WARNING:** Properly insulate the unused lead with a wire nut (provided) or other approved means.
5. Secure back plate to junction box (hardware not included)
6. Remove knockout chevron(s) on faceplate, re-insert RED lens to faceplate (see fig. A)(or GREEN if applicable, see fig. B). Secure EXIT stencil faceplate back onto housing.
7. Toggle the switchable to select GREEN if applicable(see fig. C).
8. Connect battery only after continuous AC power can be provided to the unit.
9. Apply continuous AC power and press "TEST" button to check operation. (See operation battery back-up for testing procedures)

TOP MOUNT

1. Remove EXIT stencil faceplate from housing. Remove RED lens from faceplate(see fig. A). Set aside.
2. Place screws (provided) in holes on the canopy.
3. Remove the mounting hole plug located on the top of the housing.
4. Route EXIT supply wires through mounting hole in top of the housing. Route EXIT supply wires through mounting canopy. Dress wires carefully through housing.
5. Route wires from junction box through metal mounting plate. Secure mounting plate to junction box (hardware not included).
6. Make wiring connection. For 120V, use black and white wires and for 277V, use red and white wires **WARNING:** Properly insulate the unused lead with a wire nut (provided) or other approved means.
7. Push wire connections through middle metal plate and into the J-Box.
8. Secure the canopy to the steel mounting plate with screws installed in step 2.
9. Remove knockout chevron(s) on faceplate, as needed. Re-insert RED lens to faceplate (see fig. A) (or GREEN if applicable, see fig. B). Secure EXIT stencil faceplate back onto housing.
10. Toggle the switchable to select GREEN if applicable(see fig. C).
11. Connect battery only after continuous AC power can be provided to the unit.
12. Apply continuous AC power and press "TEST" button to check operation.(See operation battery back-up for testing procedures)

INSTALLATION (CONTINUATION)

OPERATION (BATTERY BACKUP):

1. Apply AC power to the unit. Connect the battery to the PCB, the LED indicator will be RED.
2. After the battery has been left to charge for 24 hours, test the unit by pushing the switch. The LED indicator turns OFF and the LED board stays ON.
3. When the switch is released, the LED indicator turns back to RED and LED board stays ON.

MAINTENANCE

CAUTION

ALWAYS TURN OFF AC POWER TO THE EQUIPMENT BEFORE SERVICING. SERVICING SHOULD BE PERFORMED BY A QUALIFIED SERVICE TECHNICIAN. USE ONLY MANUFACTURER SUPPLIED REPLACEMENTS PARTS.

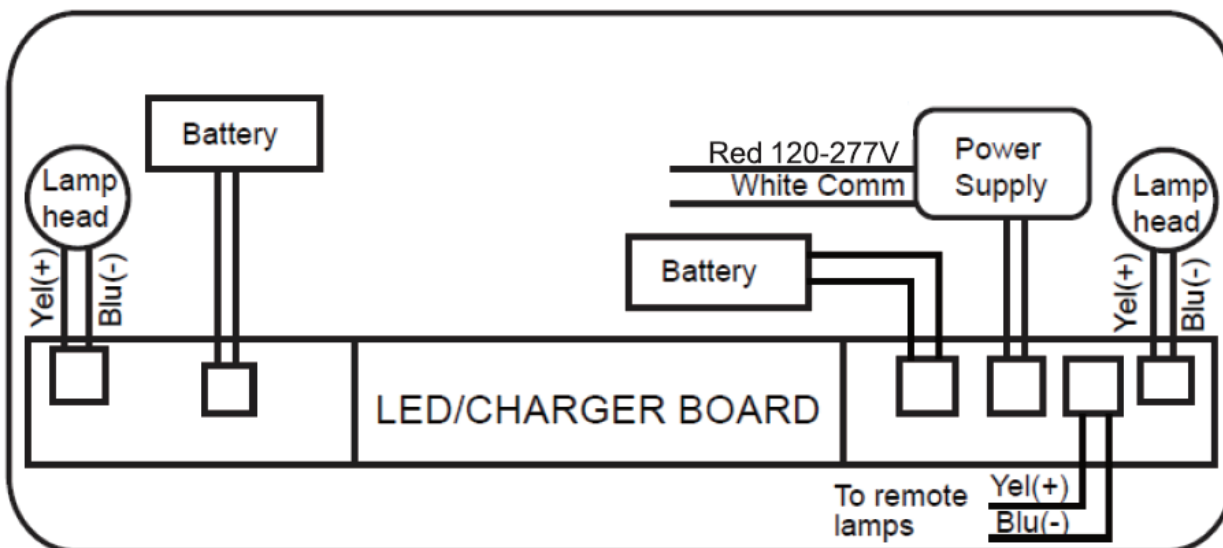
BATTERY

THE BATTERY SUPPLIED WITH THE EL MODEL REQUIRES NO MAINTENANCE. HOWEVER, IT SHOULD BE TESTED PERIODICALLY AND REPLACED WHEN IT NO LONGER OPERATES THE CONNECTED SIGN FOR THE DURATION OF A 30-SECOND OR 90-MINUTE TEST. THE BATTERY SUPPLIED IN THIS SIGN HAS A TYPICAL LIFE OF 5 YEARS WHEN USED IN A NORMAL AMBIENT TEMPERATURE OF 72° F.

LED STATUS INDICATOR KEY AND TROUBLESHOOTING

VISUAL STATUS	INDICATION	TROUBLE SHOOTING/ACTIONS TO TAKE
UNLIT	<ol style="list-style-type: none"> 1. Battery connection is not made. 2. Battery has been diagnosed as dead or defective after 24 hours of continuous charging with AC power supplied. 3. AC power has not been supplied. 	<ol style="list-style-type: none"> 1. Make connection; or if battery is connected, disconnect battery for eight seconds and then reconnect. 2. Replace the battery. 3. Supply AC power.
RED	Battery is connected, AC power has been supplied and fixture is in charging state.	This is the normal state. No action required.

WIRING DIAGRAM





READ THESE INSTRUCTIONS COMPLETELY AND CAREFULLY

WARNING: FAILURE TO FOLLOW THESE INSTRUCTIONS AND WARNINGS MAY RESULT IN DEATH, SERIOUS INJURY OR SIGNIFICANT PROPERTY DAMAGE. FOR YOUR PROTECTION, READ AND FOLLOW THESE WARNINGS AND INSTRUCTIONS CAREFULLY BEFORE INSTALLING OR MAINTAINING THIS EQUIPMENT. THESE INSTRUCTIONS DO NOT ATTEMPT TO COVER ALL INSTALLATION AND MAINTENANCE SITUATIONS. IF YOU DO NOT UNDERSTAND THESE INSTRUCTIONS OR ADDITIONAL INFORMATION IS REQUIRED, CONTACT THE MANUFACTURER.

IMPORTANT SAFEGUARDS: WHEN USING ELECTRICAL EQUIPMENT, BASIC SAFETY PRECAUTIONS SHOULD ALWAYS BE FOLLOWED, INCLUDING THE FOLLOWING:

- Do not use outdoors. Suitable for use in 0°C-40°C (32°F-104°F) indoor damp locations.
- Consult local building code for approved wiring and installation.
- Disconnect AC power before servicing and installation.
- Do not mount near gas or electric heaters.
- Do not use this equipment for anything other than its intended use.
- The use of accessory equipment not recommended by the manufacturer will void product listing and warranty and may cause an unsafe condition.
- Any service on this equipment should be performed by qualified personnel only.
- Equipment should be mounted in locations and at heights where it will not be subject to tampering by unauthorized personnel.
- Use caution when servicing batteries.
- Cap unused wires with enclosed wire nuts or other approved method.
- Make sure wire terminations are secure and leads are properly tucked in appropriate wire channels.

CAUTION

The battery in this unit may not be fully charged. After electricity is connected to unit, let battery charge for at least 24 hours, then normal operation of this unit should take effect. To check, press the TEST button. The lamps on the unit should turn on. (Refer to OPERATION BATTERY BACK UP for more testing information)

WARNING RISK OF FIRE

Lamps are hot. Keep combustible material away from hot parts. Observe lamp manufacturer's warnings, recommendations and restrictions on lamp operation and maintenance. Make sure lamps are correctly installed.

WARNING RISK OF ELECTRIC SHOCK

NEVER CONNECT TO, DISCONNECT FROM, OR SERVICE WHILE EQUIPMENT IS ENERGIZED.

NOTE: MAX MOUNTING HEIGHT IS 10 FT TO ACHIEVE AT LEAST 1 FT-CANDLE OF ILLUMINANCE IN EMERGENCY MODE.

INSTALLATION (ALWAYS TURN OFF THE POWER SUPPLY FROM MAIN CIRCUIT BREAKER FIRST!)

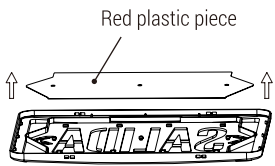


FIG. A

Remove or re-insert the red lens from/to face plate.

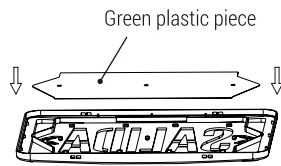


FIG. B

Secure the green lens to face plate.

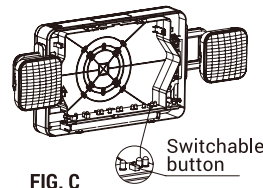
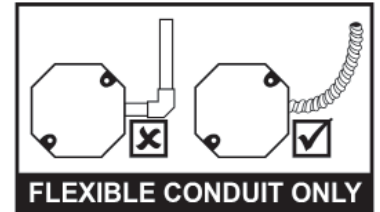


FIG. C

Toggle the switchable button to choose red or green illumination.



BACK MOUNT

1. Remove SALIDA stencil faceplate from housing. Remove RED lens from faceplate(see fig. A). Set aside.
2. Drill or knock out appropriate knockouts on back plate to fit junction box mounting points.
3. Drill or knock out center hole in back plate for SALIDA supply wire leads.
4. Route SALIDA supply wires through center hole of the back plate and make wiring connection. For 120V, use black and white wires and for 277V, use red and white wires. **WARNING:** Properly insulate the unused lead with a wire nut (provided) or other approved means.
5. Secure back plate to junction box (hardware not included)
6. Remove knockout chevron(s) on faceplate, re-insert RED lens to faceplate (see fig. A)(or GREEN if applicable, see fig. B). Secure EXIT stencil faceplate back onto housing.
7. Toggle the switchable to select GREEN if applicable(see fig. C).
8. Connect battery only after continuous AC power can be provided to the unit.
9. Apply continuous AC power and press "TEST" button to check operation. (See operation battery back-up for testing procedures)

TOP MOUNT

1. Remove SALIDA stencil faceplate from housing. Remove RED lens from faceplate(see fig. A). Set aside.
2. Place screws (provided) in holes on the canopy.
3. Remove the mounting hole plug located on the top of the housing.
4. Route SALIDA supply wires through mounting hole in top of the housing. Route SALIDA supply wires through mounting canopy. Dress wires carefully through housing.
5. Route wires from junction box through metal mounting plate. Secure mounting plate to junction box (hardware not included).
6. Make wiring connection. For 120V, use black and white wires and for 277V, use red and white wires **WARNING:** Properly insulate the unused lead with a wire nut (provided) or other approved means.
7. Push wire connections through middle metal plate and into the J-Box.
8. Secure the canopy to the steel mounting plate with screws installed in step 2.
9. Remove knockout chevron(s) on faceplate, as needed. Re-insert RED lens to faceplate (see fig. A) (or GREEN if applicable, see fig. B). Secure SALIDA stencil faceplate back onto housing.
10. Toggle the switchable to select GREEN if applicable(see fig. C).
11. Connect battery only after continuous AC power can be provided to the unit.
12. Apply continuous AC power and press "TEST" button to check operation.(See operation battery back-up for testing procedures)

INSTALLATION (CONTINUATION)

OPERATION (BATTERY BACKUP):

1. Apply AC power to the unit. Connect the battery to the PCB, the LED indicator will be RED.
2. After the battery has been left to charge for 24 hours, test the unit by pushing the switch. The LED indicator turns OFF and the LED board stays ON.
3. When the switch is released, the LED indicator turns back to RED and LED board stays ON.

MAINTENANCE

CAUTION

ALWAYS TURN OFF AC POWER TO THE EQUIPMENT BEFORE SERVICING. SERVICING SHOULD BE PERFORMED BY A QUALIFIED SERVICE TECHNICIAN. USE ONLY MANUFACTURER SUPPLIED REPLACEMENTS PARTS.

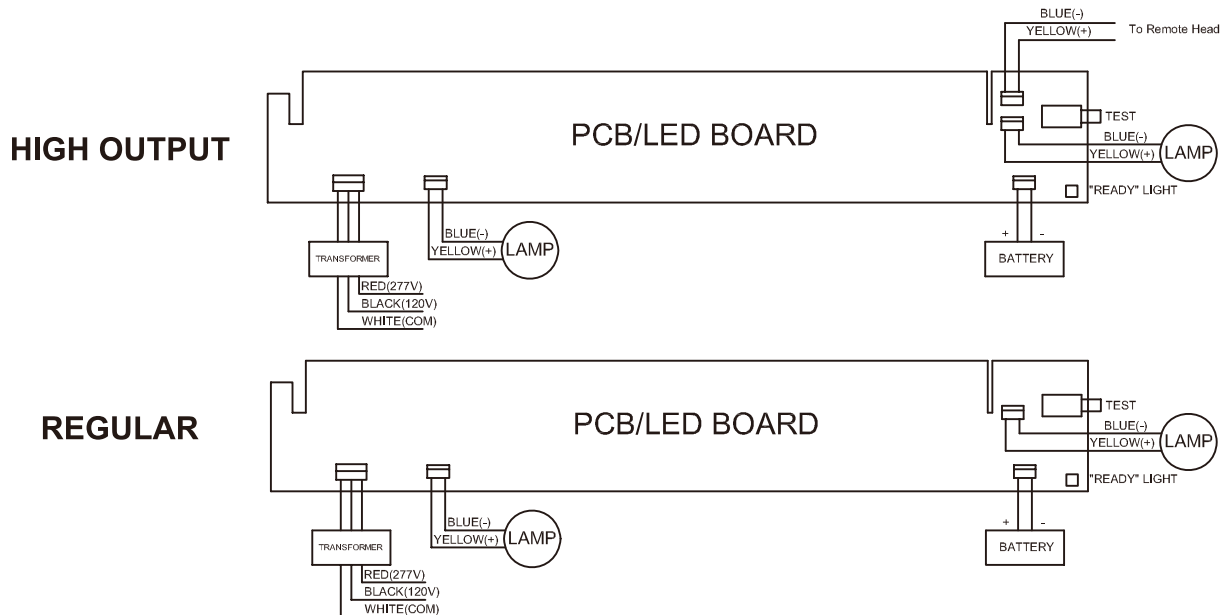
BATTERY

THE BATTERY SUPPLIED WITH THE EL MODEL REQUIRES NO MAINTENANCE. HOWEVER, IT SHOULD BE TESTED PERIODICALLY AND REPLACED WHEN IT NO LONGER OPERATES THE CONNECTED SIGN FOR THE DURATION OF A 30-SECOND OR 90-MINUTE TEST. THE BATTERY SUPPLIED IN THIS SIGN HAS A TYPICAL LIFE OF 5 YEARS WHEN USED IN A NORMAL AMBIENT TEMPERATURE OF 72° F.

LED STATUS INDICATOR KEY AND TROUBLESHOOTING

VISUAL STATUS	INDICATION	TROUBLE SHOOTING/ACTIONS TO TAKE
UNLIT	<ol style="list-style-type: none"> 1. Battery connection is not made. 2. Battery has been diagnosed as dead or defective after 24 hours of continuous charging with AC power supplied. 3. AC power has not been supplied. 	<ol style="list-style-type: none"> 1. Make connection; or if battery is connected, disconnect battery for eight seconds and then reconnect. 2. Replace the battery. 3. Supply AC power.
RED	Battery is connected, AC power has been supplied and fixture is in charging state.	This is the normal state. No action required.

WIRING DIAGRAM





READ THESE INSTRUCTIONS COMPLETELY AND CAREFULLY

WARNING: FAILURE TO FOLLOW THESE INSTRUCTIONS AND WARNINGS MAY RESULT IN DEATH, SERIOUS INJURY OR SIGNIFICANT PROPERTY DAMAGE. FOR YOUR PROTECTION, READ AND FOLLOW THESE WARNINGS AND INSTRUCTIONS CAREFULLY BEFORE INSTALLING OR MAINTAINING THIS EQUIPMENT. THESE INSTRUCTIONS DO NOT ATTEMPT TO COVER ALL INSTALLATION AND MAINTENANCE SITUATIONS. IF YOU DO NOT UNDERSTAND THESE INSTRUCTIONS OR ADDITIONAL INFORMATION IS REQUIRED, CONTACT THE MANUFACTURER.

IMPORTANT SAFEGUARDS: WHEN USING ELECTRICAL EQUIPMENT, BASIC SAFETY PRECAUTIONS SHOULD ALWAYS BE FOLLOWED, INCLUDING THE FOLLOWING:

- Do not use outdoors. Suitable for use in 0°C-40°C (32°F-104°F) indoor damp locations.
- Consult local building code for approved wiring and installation.
- Disconnect AC power before servicing and installation.
- Do not mount near gas or electric heaters.
- Do not use this equipment for anything other than its intended use.
- The use of accessory equipment not recommended by the manufacturer will void product listing and warranty and may cause an unsafe condition.
- Any service on this equipment should be performed by qualified personnel only.
- Equipment should be mounted in locations and at heights where it will not be subject to tampering by unauthorized personnel.
- Use caution when servicing batteries.
- Cap unused wires with enclosed wire nuts or other approved method.
- Make sure wire terminations are secure and leads are properly tucked in appropriate wire channels.

CAUTION

The battery in this unit may not be fully charged. After electricity is connected to unit, let battery charge for at least 24 hours, then normal operation of this unit should take effect. To check, press the TEST button. The lamps on the unit should turn on. (Refer to OPERATION BATTERY BACK UP for more testing information)

WARNING RISK OF FIRE

Lamps are hot. Keep combustible material away from hot parts. Observe lamp manufacturer's warnings, recommendations and restrictions on lamp operation and maintenance. Make sure lamps are correctly installed.

WARNING RISK OF ELECTRIC SHOCK

NEVER CONNECT TO, DISCONNECT FROM, OR SERVICE WHILE EQUIPMENT IS ENERGIZED.

NOTE: MAX MOUNTING HEIGHT IS 10 FT TO ACHIEVE AT LEAST 1 FT-CANDLE OF ILLUMINANCE IN EMERGENCY MODE.

INSTALLATION (ALWAYS TURN OFF THE POWER SUPPLY FROM MAIN CIRCUIT BREAKER FIRST!)

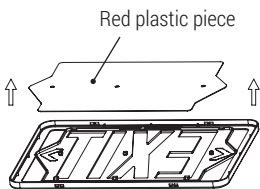


FIG. A

Remove or re-insert the red lens from/to face plate.

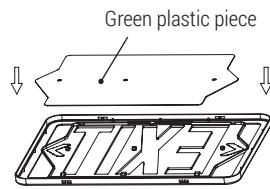


FIG. B

Secure the green lens to face plate.

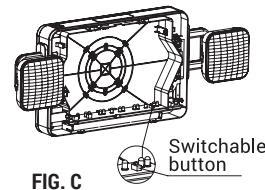
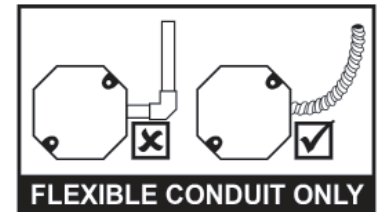


FIG. C

Toggle the switchable button to choose red or green illumination.



FLEXIBLE CONDUIT ONLY

BACK MOUNT

1. Remove EXIT stencil faceplate from housing. Remove RED lens from faceplate(see fig. A). Set aside.
2. Drill or knock out appropriate knockouts on back plate to fit junction box mounting points.
3. Drill or knock out center hole in back plate for EXIT supply wire leads.
4. Route EXIT supply wires through center hole of the back plate and make wiring connection. For 120V, use black and white wires and for 277V, use red and white wires. **WARNING:** Properly insulate the unused lead with a wire nut (provided) or other approved means.
5. Secure back plate to junction box (hardware not included)
6. Remove knockout chevron(s) on faceplate, re-insert RED lens to faceplate (see fig. A)(or GREEN if applicable, see fig. B). Secure EXIT stencil faceplate back onto housing.
7. Toggle the switchable to select GREEN if applicable(see fig. C).
8. Connect battery only after continuous AC power can be provided to the unit.
9. Apply continuous AC power and press "TEST" button to check operation. (See operation battery back-up for testing procedures)

TOP MOUNT

1. Remove EXIT stencil faceplate from housing. Remove RED lens from faceplate(see fig. A). Set aside.
2. Place screws (provided) in holes on the canopy.
3. Remove the mounting hole plug located on the top of the housing.
4. Route EXIT supply wires through mounting hole in top of the housing. Route EXIT supply wires through mounting canopy. Dress wires carefully through housing.
5. Route wires from junction box through metal mounting plate. Secure mounting plate to junction box (hardware not included).
6. Make wiring connection. For 120V, use black and white wires and for 277V, use red and white wires **WARNING:** Properly insulate the unused lead with a wire nut (provided) or other approved means.
7. Push wire connections through middle metal plate and into the J-Box.
8. Secure the canopy to the steel mounting plate with screws installed in step 2.
9. Remove knockout chevron(s) on faceplate, as needed. Re-insert RED lens to faceplate (see fig. A) (or GREEN if applicable, see fig. B). Secure EXIT stencil faceplate back onto housing.
10. Toggle the switchable to select GREEN if applicable(see fig. C).
11. Connect battery only after continuous AC power can be provided to the unit.
12. Apply continuous AC power and press "TEST" button to check operation. (See operation battery back-up for testing procedures)

INSTALLATION (CONTINUATION)

OPERATION (BATTERY BACKUP):

1. Apply AC power to the unit. Connect the battery to the PCB, the LED indicator will be RED.
2. After the battery has been left to charge for 24 hours, test the unit by pushing the switch. The LED indicator turns OFF and the LED board stays ON.
3. When the switch is released, the LED indicator turns back to RED and LED board stays ON.

MAINTENANCE

CAUTION

ALWAYS TURN OFF AC POWER TO THE EQUIPMENT BEFORE SERVICING. SERVICING SHOULD BE PERFORMED BY A QUALIFIED SERVICE TECHNICIAN. USE ONLY MANUFACTURER SUPPLIED REPLACEMENTS PARTS.

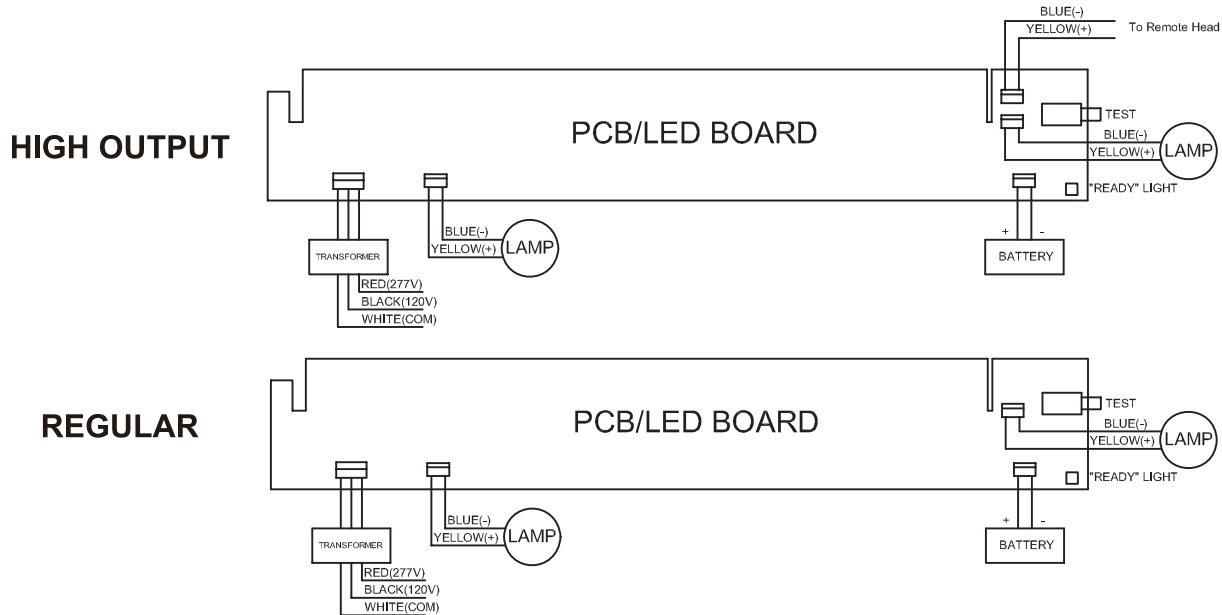
BATTERY

THE BATTERY SUPPLIED WITH THE EL MODEL REQUIRES NO MAINTENANCE. HOWEVER, IT SHOULD BE TESTED PERIODICALLY AND REPLACED WHEN IT NO LONGER OPERATES THE CONNECTED SIGN FOR THE DURATION OF A 30-SECOND OR 90-MINUTE TEST. THE BATTERY SUPPLIED IN THIS SIGN HAS A TYPICAL LIFE OF 5 YEARS WHEN USED IN A NORMAL AMBIENT TEMPERATURE OF 72° F.

LED STATUS INDICATOR KEY AND TROUBLESHOOTING

VISUAL STATUS	INDICATION	TROUBLE SHOOTING/ACTIONS TO TAKE
UNLIT	<ol style="list-style-type: none"> 1. Battery connection is not made. 2. Battery has been diagnosed as dead or defective after 24 hours of continuous charging with AC power supplied. 3. AC power has not been supplied. 	<ol style="list-style-type: none"> 1. Make connection; or if battery is connected, disconnect battery for eight seconds and then reconnect. 2. Replace the battery. 3. Supply AC power.
RED	Battery is connected, AC power has been supplied and fixture is in charging state.	This is the normal state. No action required.

WIRING DIAGRAM



INSTALLATION INSTRUCTIONS

PT-EXL-C SERIES

(PT-EXL-C-SLM)

PORTOR
LIGHTING
a PORTOR INDUSTRY brand



READ THESE INSTRUCTIONS COMPLETELY AND CAREFULLY

WARNING: FAILURE TO FOLLOW THESE INSTRUCTIONS AND WARNINGS MAY RESULT IN DEATH, SERIOUS INJURY OR SIGNIFICANT PROPERTY DAMAGE. FOR YOUR PROTECTION, READ AND FOLLOW THESE WARNINGS AND INSTRUCTIONS CAREFULLY BEFORE INSTALLING OR MAINTAINING THIS EQUIPMENT. THESE INSTRUCTIONS DO NOT ATTEMPT TO COVER ALL INSTALLATION AND MAINTENANCE SITUATIONS. IF YOU DO NOT UNDERSTAND THESE INSTRUCTIONS OR ADDITIONAL INFORMATION IS REQUIRED, CONTACT THE MANUFACTURER.

IMPORTANT SAFEGUARDS: WHEN USING ELECTRICAL EQUIPMENT, BASIC SAFETY PRECAUTIONS SHOULD ALWAYS BE FOLLOWED, INCLUDING THE FOLLOWING:

- Do not use outdoors.
- Equipment should be mounted in locations and at heights where it will not be subject to tampering by unauthorized personnel.
- Do not mount near gas or electric heaters.
- Cap unused wires with enclosed wire nuts or other approved method.
- Do not use this equipment for other than its intended use.
- The use of accessory equipment not recommended by the manufacturer will void warranty and may cause an unsafe condition.
- Before wiring to power supply, turn off electricity at fuse or circuit breaker.
- Use caution when servicing batteries.
- Installation and servicing should be performed by qualified personnel.
- Consult local building code for approved wiring and installation.
- Make sure wire terminations are secure and leads are properly tucked in appropriate wire channels.

IMPORTANT

When re-lamping, only use lamps specified in the exit sign. Using other lamp types may result in transformer damage or unsafe conditions. Battery in this unit may not be fully charged. After electricity is hooked up to unit, let the battery charge for at least 24 hours. Normal operation of this unit should then take effect (when applicable).

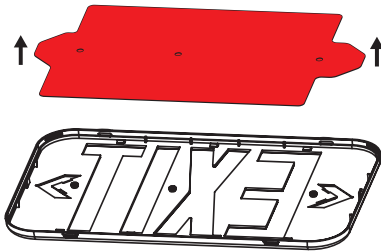
WARNING RISK OF FIRE

Lamps are hot. Keep combustible material away from hot parts. Observe lamp manufacturer's warnings, recommendations and restrictions on lamp operation and maintenance. Make sure lamps are correctly installed.

WARNING RISK OF ELECTRIC SHOCK

NEVER CONNECT TO, DISCONNECT FROM, OR SERVICE WHILE EQUIPMENT IS ENERGIZED.

INSTALLATION (ALWAYS TURN OFF THE POWER SUPPLY FROM MAIN CIRCUIT BREAKER FIRST!)



Remove or re-insert the red lens from/to face plate.

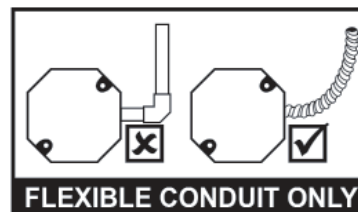


CEILING MOUNT

1. Remove faceplate and set aside.
2. Connect 20-inch jumper leads to AC input leads in J-Box. Fasten J-Box bracket to J-Box. Use red wire for 120V-277V. White wire is common.
3. Fasten canopy to J-box bracket.
4. Remove canopy hole cover on the top and snap housing to canopy.
5. Connect and trim input leads and slide through the canopy and connect to supply leads in the J-box.
6. Connect battery only after continuous AC power can be provided to the unit.
7. Remove proper chevron(s) as required.
8. Secure face plate(s) to housing.

WALL MOUNT

1. Remove faceplate and backplate and set aside.
2. Connect 20-inch jumper leads to AC input leads in J-Box. Fasten J-Box bracket to J-Box. Use red wire for 120V-277V. White wire is common.
3. Remove necessary knockouts and fasten back plate to J-Box cover.
4. Snap housing on to back plate.
5. Connect and trim input leads and slide through the hole in the backplate and connect to supply leads in J-Box.
6. Connect battery only after continuous AC power can be provided to the unit.
7. Secure face plate(s) to housing.



INSTALLATION (ALWAYS TURN OFF THE POWER SUPPLY FROM MAIN CIRCUIT BREAKER FIRST!)

OPERATION (BATTERY BACKUP):

1. Apply AC power to the unit. Connect the battery to the PCB, the LED indicator will be RED.
2. After the battery has been left to charge for 24 hours, test the unit by pushing the switch. The LED indicator turns OFF and the LED board stays ON.
3. When the switch is released, the LED indicator turns back to RED and LED board stays ON.

MAINTENANCE

CAUTION

ALWAYS TURN OFF AC POWER TO THE EQUIPMENT BEFORE SERVICING. SERVICING SHOULD BE PERFORMED BY A QUALIFIED SERVICE TECHNICIAN. USE ONLY MANUFACTURER SUPPLIED REPLACEMENTS PARTS.

BATTERY

THE BATTERY SUPPLIED WITH THE EL MODEL REQUIRES NO MAINTENANCE. HOWEVER, IT SHOULD BE TESTED PERIODICALLY AND REPLACED WHEN IT NO LONGER OPERATES THE CONNECTED SIGN FOR THE DURATION OF A 30-SECOND OR 90-MINUTE TEST. THE BATTERY SUPPLIED IN THIS SIGN HAS A TYPICAL LIFE OF 5 YEARS WHEN USED IN A NORMAL AMBIENT TEMPERATURE OF 72° F.

LED STATUS INDICATOR KEY AND TROUBLESHOOTING

VISUAL STATUS	INDICATION	TROUBLE SHOOTING/ACTIONS TO TAKE
UNLIT	<ol style="list-style-type: none"> 1. Battery connection is not made. 2. Battery has been diagnosed as dead or defective after 24 hours of continuous charging with AC power supplied. 3. AC power has not been supplied. 	<ol style="list-style-type: none"> 1. Make connection; or if battery is connected, disconnect battery for eight seconds and then reconnect. 2. Replace the battery. 3. Supply AC power.
RED	Battery is connected, AC power has been supplied and fixture is in charging state.	This is the normal state. No action required.

WIRING DIAGRAM

