

# INSTALLATION INSTRUCTIONS

## PT-FLM2 SERIES

PT-FLM2-MW-3CP/PT-FLM2-30W-3CCT/PT-FLM2-15W-3CCT



**WATTAGE SELECTOR**



Knuckle Mount



U-Bracket Mount

### READ THESE INSTRUCTIONS COMPLETELY AND CAREFULLY

- TO REDUCE THE RISK OF DEATH, PERSONAL INJURY OR PROPERTY DAMAGE FROM FIRE, ELECTRIC SHOCK, FALLING PARTS, CUTS/ABRASIONS, AND OTHER HAZARDS, PLEASE READ ALL WARNINGS AND INSTRUCTIONS INCLUDED WITH AND ON THE FIXTURE, BOX, AND ALL FIXTURE LABELS.
- INSTALLATION AND SERVICE OF LUMINAIRES SHOULD BE PERFORMED BY A QUALIFIED LICENSED ELECTRICIAN.
- MAINTENANCE OF THE LUMINAIRES SHOULD BE PERFORMED BY PERSON(S) FAMILIAR WITH THE LUMINAIRE'S CONSTRUCTION AND OPERATION, AND ANY HAZARDS INVOLVED. REGULAR FIXTURE MAINTENANCE PROGRAMS ARE RECOMMENDED.
- **DO NOT INSTALL DAMAGED PRODUCT!** THIS LUMINAIRE HAS BEEN PROPERLY PACKED SO THAT NO PARTS SHOULD HAVE BEEN DAMAGED DURING TRANSIT. INSPECT TO CONFIRM. ANY PART DAMAGED OR BROKEN DURING OR AFTER ASSEMBLY SHOULD BE REPLACED.

### WARNING RISK OF ELECTRIC SHOCK

- Turn off power before installation or servicing.
- Verify that supply voltage is correct by comparing it with the luminaire label information or wiring diagram.
- Make sure all electrical and grounded connections in accordance with the National Electrical Code (NEC) and local code requirements.
- All wiring connections should be capped with UL approved recognized wire connectors.

### WARNING RISK OF BURN

- Allow fixture to cool before handling. Do not touch enclosure or light source.
- Do not exceed maximum wattage marked on luminaire label.
- Follow all manufacturer's warnings, recommendations, and restrictions for: driver type, burning position, mounting locations/methods, replacement and recycling.

### WARNING RISK OF INJURY

- Wear gloves and safety glasses at all times when removing, installing, servicing or performing maintenance.
- Avoid direct eye exposure to the light source when fixture is on.

### WARNING RISK OF FIRE

- Keep combustible and other materials that can burn, away from lamp/lens.
- Do not operate in close proximity to persons, combustible materials, or substances affected by heat or drying.

## INSTALLATION (ALWAYS TURN OFF THE POWER SUPPLY FROM MAIN CIRCUIT BREAKER FIRST!)

### U-BRACKET MOUNT

- Step 1: Take the fixture out of the package.
- Step 2: Fix the fixture on the wall or ground through the holes on the bracket (Fig 1 & 2).
- Step 3: Connect the input wires per the wiring diagram below (Fig 3).
- Step 4: Loosen the screws on the two sides of the bracket to adjust the fixture to desired direction, then tighten the screws.
- Step 5: Unscrew the cap to select the desired Watt/CCT/ Photocell function, 15W&30W refer to Fig 4, 60W refer to Fig 5, then screw back the cap.
- Step 6: Turn on the electricity to verify your successful installation.

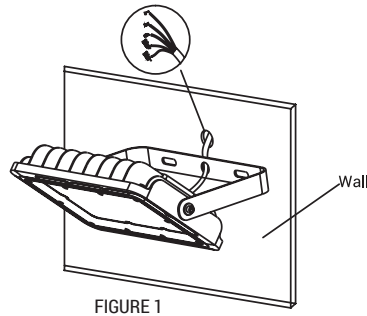


FIGURE 1

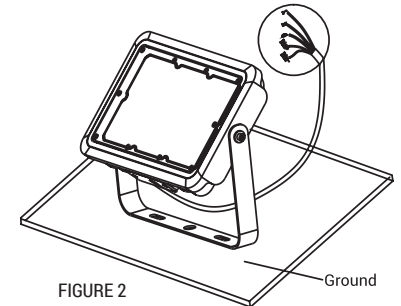


FIGURE 2

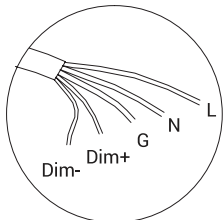
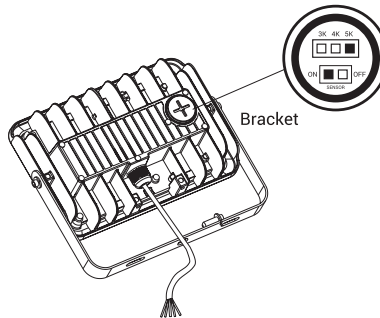


FIGURE 3

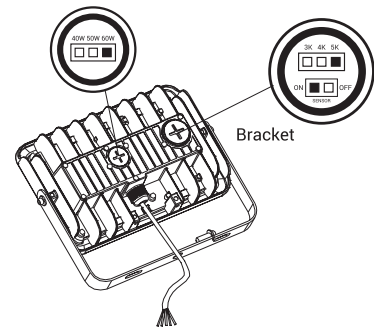
Black	○	Line
White	○	Neutral
Green	○	Ground
Purple	○	Dim+
Pink	○	Dim-



15W/30W

Factory Default Setting:  
CCT:5000K Photocell:ON

FIGURE 4



60W

Factory Default Setting:  
Watt:60W CCT:5000K Photocell:ON

FIGURE 5

### INSTALLATION (CONTINUATION) (ALWAYS TURN OFF THE POWER SUPPLY FROM MAIN CIRCUIT BREAKER FIRST!)

#### KNUCKLE MOUNT

Step 1: Take the fixture out of the package.

Step 2: Insert the knuckle into the cover plate(not provided), and adjust the fixture to desired direction. (Fig 1 & 2)

Step 3: Connect the input wires per the wiring diagram below.(Fig 3)

Step 4: Unscrew the cap to select the desired Watt/CCT/Photocell function, 15W&30W refer to Fig 4, 60W refer to Fig 5, then screw back the cap.

Step 5: Turn on the electricity to verify your successful installation.

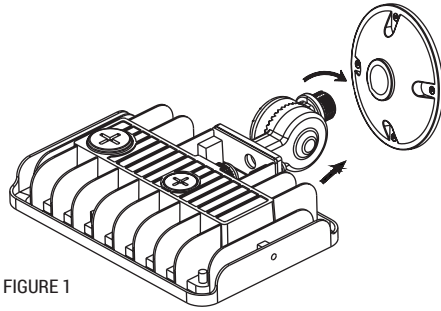


FIGURE 1

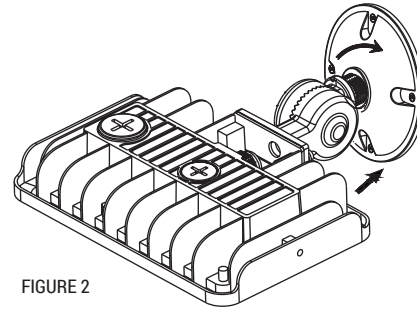


FIGURE 2

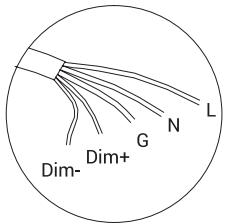
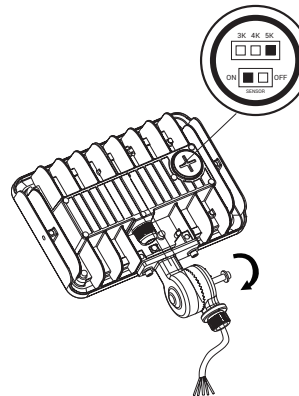


FIGURE 3

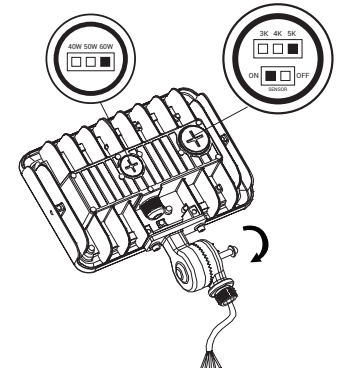
Black	○	Line
White	○	Neutral
Green	○	Ground
Purple	○	Dim+
Pink	○	Dim-



15W/30W

Factory Default Setting:  
CCT:5000K Photocell:ON

FIGURE 4



60W

Factory Default Setting:  
Watt:60W CCT:5000K Photocell:ON

FIGURE 5

#### WARNING

MIN 75 °C SUPPLY CONDUCTORS

THIS PRODUCT MUST BE INSTALLED IN ACCORDANCE WITH THE APPLICABLE INSTALLATION CODE BY A PERSON FAMILIAR WITH THE CONSTRUCTION AND OPERATION OF THE PRODUCT AND THE HAZARDS INVOLVED SUITABLE FOR OPERATION IN AMBIENT NOT EXCEEDING 50°C.

LES FILS D'ALIMENTATION 75 °C MIN

CE PRODUIT DOIT ÊTRE INSTALLÉ SELON LE CODE D'INSTALLATION PERTINENT, PAR UNE PERSONNE QUI CONNAÎT BIEN LE PRODUIT ET SON FONCTIONNEMENT AINSI QUE LES RISQUES INHÉRENTS PEUT ÊTRE UTILISÉ À UNE TEMPÉRATURE AMBIANTE N'EXCÉDANT PAS 50°C.