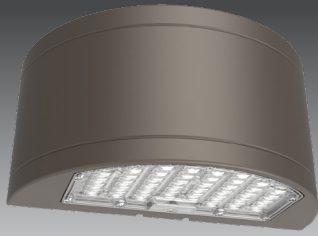


INSTALLATION INSTRUCTIONS

PT-WPR SERIES

PT-WPR-HW-3CP / PT-WPR-MW-3CP

PORTOR
LIGHTING
a PORTOR INDUSTRY brand



WATTAGE
SELECTOR

READ THESE INSTRUCTIONS COMPLETELY AND CAREFULLY

SAFETY

THIS FIXTURE MUST BE WIRED IN ACCORDANCE WITH THE NATIONAL ELECTRICAL CODE AND APPLICABLE LOCAL CODES AND ORDINANCES. PROPER GROUNDING IS REQUIRED TO INSURE PERSONAL SAFETY. CAREFULLY OBSERVE THE GROUNDING PROCEDURE UNDER INSTALLATION SECTION. ALL WORK SHOULD BE DONE BY A QUALIFIED ELECTRICIAN.

- **RISK OF ELECTRIC SHOCK** - DISCONNECT POWER AT FUSE OR CIRCUIT BREAKER BEFORE INSTALLING OR SERVICING.
- **RISK OF PERSONAL INJURY** - FIXTURE MAY BECOME DAMAGED AND/OR UNSTABLE IF NOT INSTALLED PROPERLY. TIGHTEN ALL FIXTURE COMPONENTS TO THEIR RECOMMENDED TORQUE VALUES.

WARNING

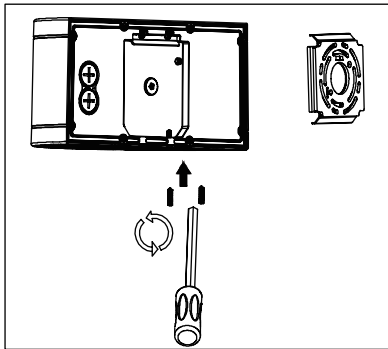
- TURN OFF ELECTRICAL POWER AT FUSE OR CIRCUIT BREAKER BOX BEFORE WIRING FIXTURE TO THE POWER SUPPLY.
- TURN OFF THE POWER WHEN YOU PERFORM ANY MAINTENANCE.
- VERIFY THAT SUPPLY VOLTAGE IS CORRECT BY COMPARING IT WITH THE LUMINAIRE LABEL INFORMATION.
- ALL WIRING CONNECTIONS SHOULD BE CAPPED WITH UL APPROVED WIRE CONNECTORS.

CAUTION

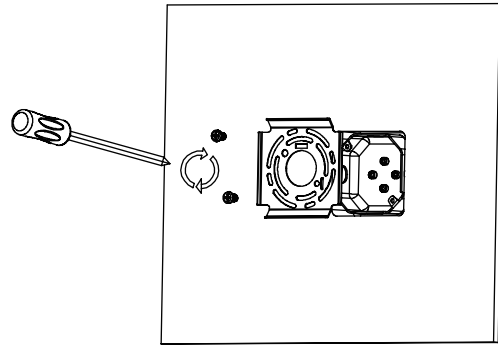
- AVOID DIRECT EYE EXPOSURE TO THE LIGHT SOURCE WHILE IT IS ON.
- ACCOUNT FOR SMALL PARTS AND DESTROY PACKING MATERIAL, AS THESE MAY BE HAZARDOUS TO CHILDREN.
- **RISK OF BURN**. DISCONNECT POWER AND ALLOW FIXTURE TO COOL BEFORE CHANGING BULB OR HANDING FIXTURE.

INSTALLATION (ALWAYS TURN OFF THE POWER SUPPLY FROM MAIN CIRCUIT BREAKER FIRST!)

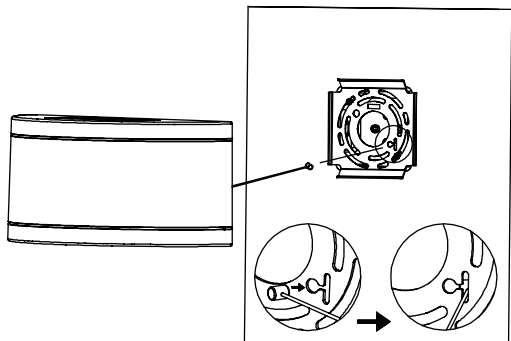
- 1.** Use the Hex Wrench to loose the 2 Allen Screws. And take apart the mounting bracket from the fixture. (Fig 1)



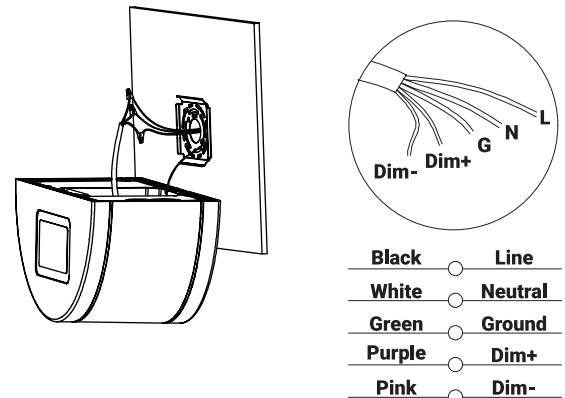
- 2.** Install the mounting bracket to the junction box. (Fig 2)



- 3.** Attach the safety cable to the bracket to hold the fixture onto the wall. (Fig 3)



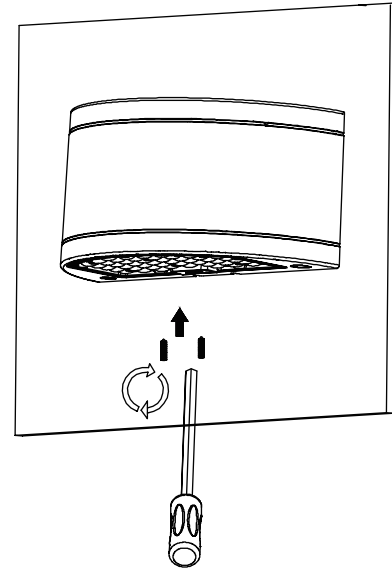
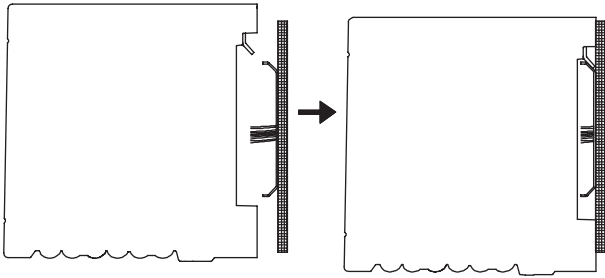
- 4.** Connect the corresponding terminals according to the wiring diagram, connect L, N, and ground wires properly. (Fig 4)



INSTALLATION (ALWAYS TURN OFF THE POWER SUPPLY FROM MAIN CIRCUIT BREAKER FIRST!)

5. Follow the arrow direction to slide the fixture onto the mounting bracket. (Fig 5)

6. Tighten the 2 Allen Screws and installation is completed. (Fig 6)



WATTAGE & CCT SELECTOR GUIDANCE

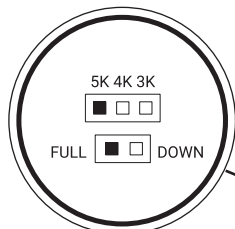
FACTORY DEFAULT SETTING:

WATT: 40W/80W

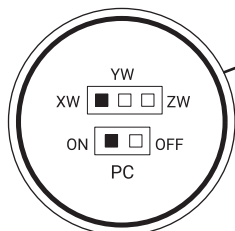
CCT: 5000K

PHOTOCELL: ON

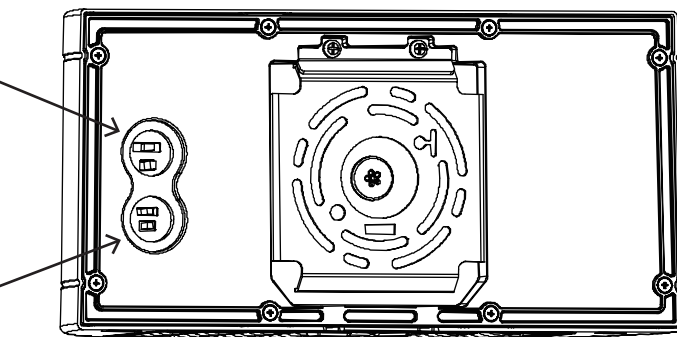
LIGHT: FULL



DIP Switch for CCT & Down / Full Light Control



DIP Switch for Watt & Photocell



■	XW = 40	80
□	YW = 32	64
□	ZW = 24	48