

YR-TP325 Post Top LED Series

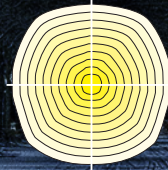
PORTOR
LIGHTING
a PORTOR INDUSTRY brand

WEATHERED FOR ALL SEASONS!

Robust construction,
For long lasting performance.

APPLICATION

Parking lots, plaza lightings, shopping malls, gardens, roadways, site and area lightings and general lighting applications.



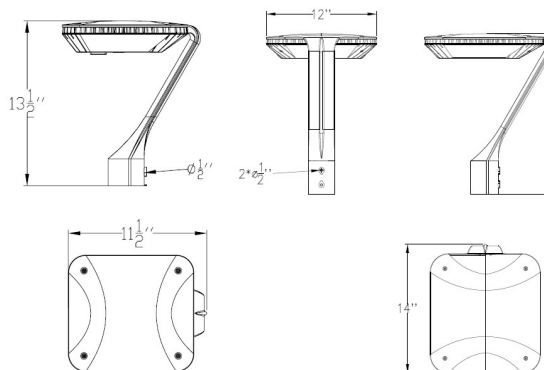
Type V

POST TOP LED AREA LIGHT

FEATURES

- Power Factor: 0.95
- LED Chip: Philips
- Dimming: 1-10V optional
- Material: Aluminum alloy + PC optic lens
- Standard Color: Bronze
- Working Temp: -40°F - 122°F
- Lifespan: 54,000 hrs
- THD: up to 14.39%
- Voltage: AC 100-277V
- Frequency: 50/60 Hz

DIMENSION



Pole not included



Available with different pole adapters optional, consult factory.

MODEL NUMBER(S)						
MODEL#	WATTS	LUMENS	LM/WATT	CCT	CRI	DISTRIBUTION
YR-TP325-W50	50W	6,215	121	5000K	>75	Type 5
YR-TP325-W100	100W	12,770	125	5000K	>75	Type 5

PORTOR
LIGHTING
www.portorlighting.com

A LED Lighting Manufacturer
1136 S. Vail Ave., Montebello, CA 90640
Tel: 323-516-6458 • Email: info@portorindustry.com

Specification subject to change without notice.