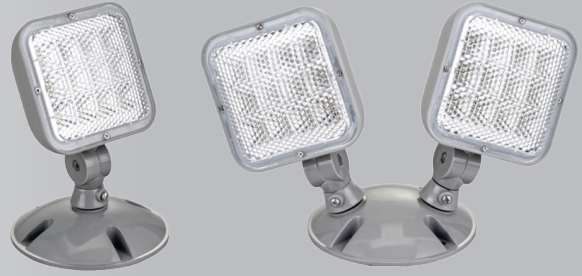
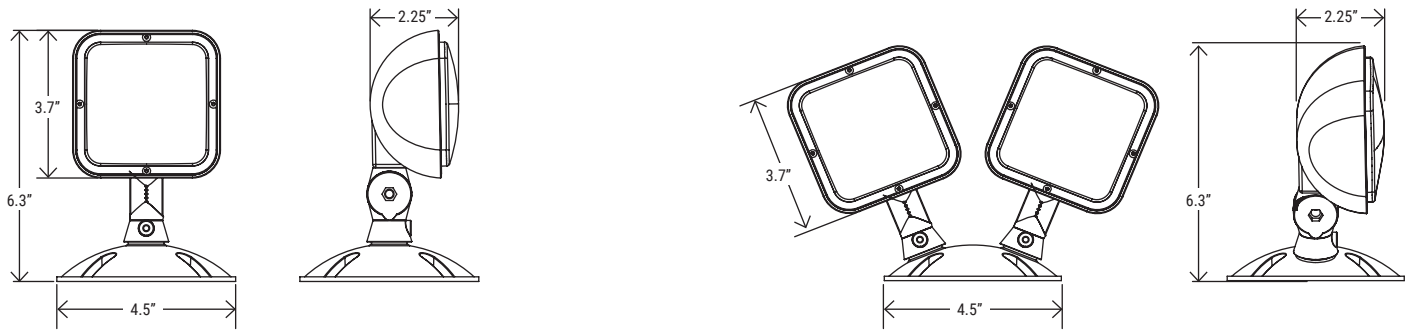


Catalog Number:	Project Name:	Note:	Date:	Type:
-----------------	---------------	-------	-------	-------

- Injection-molded thermoplastic housing
- UL 94V-0 flame rating
- Innovative, easy installation in minutes
- 120V/277VAC Dual voltage operation
- For 3.6V/9.6V, 1.2W LED lamps



DIMENSION



1.2W
Input Watt

138
Lumens

1.2W
Input Watt/head

270
Lumens

ELECTRICAL

Powered from low voltage power source with low voltage wiring (not included). Please consult qualified technician.

MOUNTING

Suitable for ceiling or wall mounting.

ENERGY SAVINGS

Long lasting and efficient ultra bright white LED remote heads.

LISTING

UL Listed, RoHS

WARRANTY

5 year limited warranty on electrical parts and housing.



ORDERING SAMPLE: EML-S-WL-1H / EML-S-WL-2H

Series	Style/Shape	Rating	No. of Head	Finish
EML Remote Head	S (Square)	WL (Wet location)	1H (1 Remote head) 2H (2 Remote heads)	White