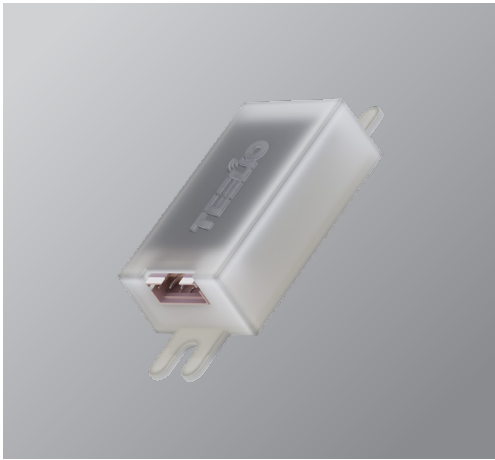


Catalog Number:	Project Name:	Note:	Date:	Type:
-----------------	---------------	-------	-------	-------



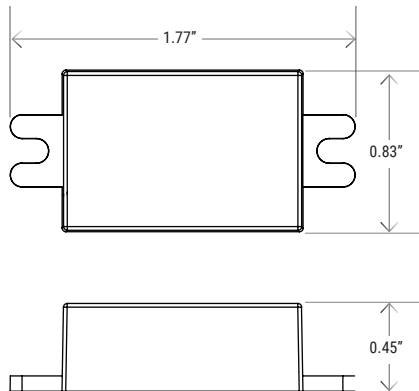
The PT-A-EMS-MW extend the capabilities of a host controller device by providing Microwave Occupancy detection with adjustable sensitivity inputs. As non-Bluetooth devices, the PT-A-EMS-MW are designed to operate with either the PT-BTN Bluetooth Node or the PT-BTC-6 Bluetooth Controller.

### FEATURES

- Microwave occupancy sensor supports setting a delay time and bi-level dimming of sensors through the TEELIO app
- Sensitivity adjustment from 0-100%

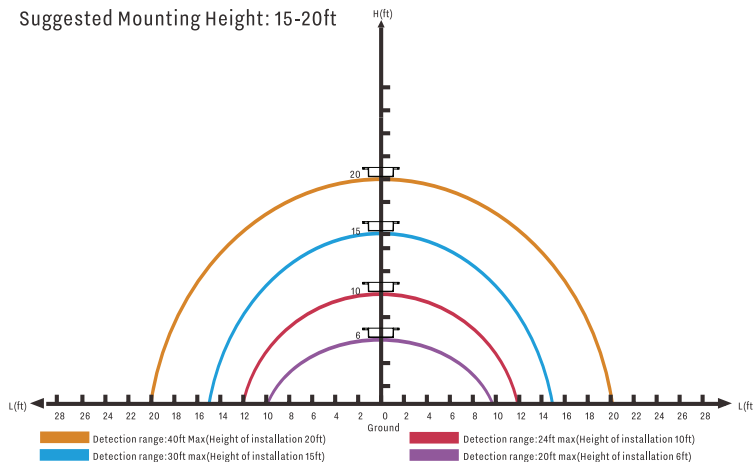
### SPECIFICATIONS

<b>Input Voltage</b>	DC 12V
<b>Input Power</b>	0.1W
<b>Detection Range</b>	20-40ft (depending on mounting height)
<b>Mounting Height</b>	8-20ft
<b>Housing Material</b>	UL 94-V0
<b>Indoor/Outdoor Use</b>	Indoor Use
<b>Operating Temperature</b>	-22°F to 131°F
<b>Storage Temperature</b>	-22°F to 185°F
<b>IP Rating</b>	IP20
<b>Color</b>	White
<b>Warranty</b>	5 year warranty
<b>Compliance</b>	UL8750, UL1376, RoHS



### COVERAGE

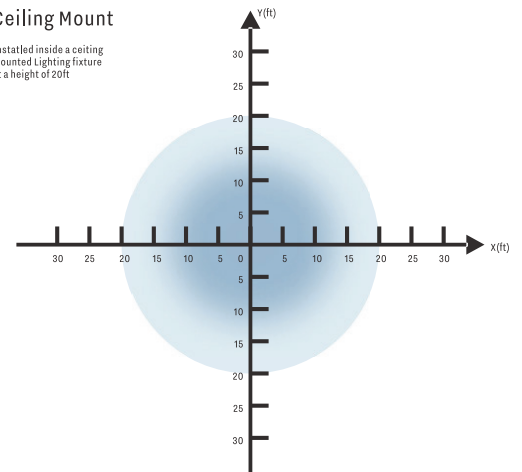
Suggested Mounting Height: 15-20ft



Ceiling Mount

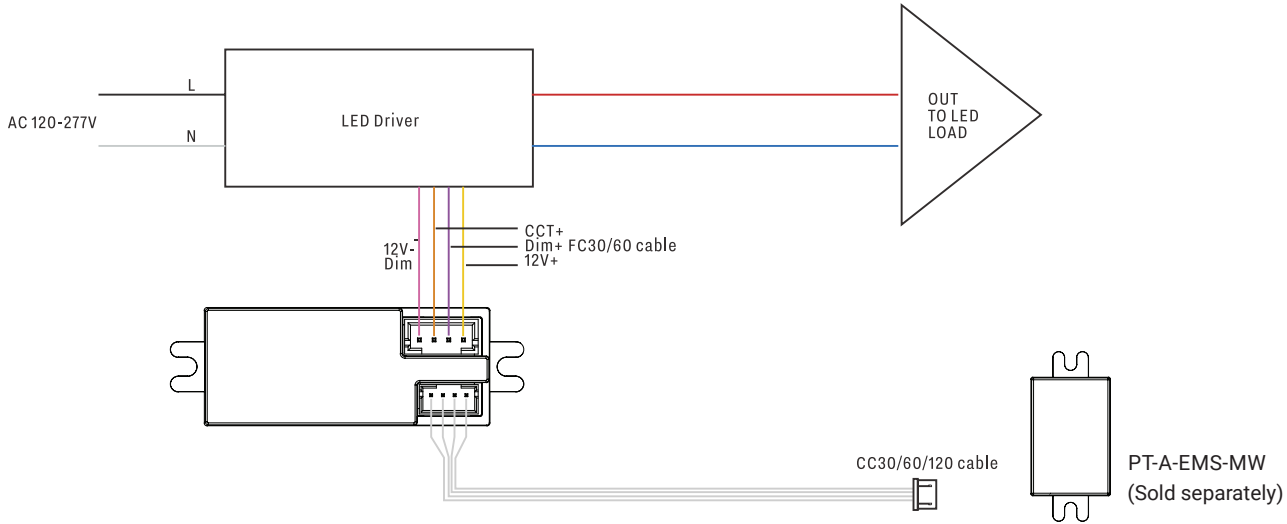


Installed inside a ceiling mounted Lighting fixture at a height of 20ft



Catalog Number:	Project Name:	Note:	Date:	Type:
-----------------	---------------	-------	-------	-------

### WIRING DIAGRAM WITH PT-BTN



### WIRING DIAGRAM WITH PT-BTC-6

