

Catalog Number:	Project Name:	Note:	Date:	Type:
-----------------	---------------	-------	-------	-------

The Dusk to Dawn Barn Light is the perfect solution for many general purpose outdoor applications. It replaces traditional 100W-400W HID fixtures and can mount directly on a wall or to a pole. All fixtures are installed with a photocell as default.

Ideal use for farms/barns, storage sheds, entryways/pathways, industrial yards, security, building perimeters, and area lighting.



CONSTRUCTION

Die-cast aluminum body combined with state of the art heat dissipation. Waterproof, built rugged for outdoor harsh conditions.

ELECTRICAL

Built with the highest quality, long lasting Universal Voltage driver(120V-277V), and water resistant LED chips.

MOUNTING

Mount directly on a wall or to a pole (included).

SENSOR READY

Photocell sensor ready.

ENERGY SAVINGS

Over 85% energy savings than traditionally HID, low heat productions requires less maintenance and operation cost.

LISTING

UL Listed, DLC Premium Listed, FCC, RoHS, IP65 rated

WARRANTY

5 year Limited Warranty, Rated for 50,000 hours.

WATTAGE	DELIVERED LUMENS	EFFICACY
36W	4680	up to 125 lm/W
48W	6240	
60W	7037	
72W	9360	up to 123 lm/W
96W	12480	
120W	13870	

Based on 3000K setting. Actual lumens may vary.

TECHNICAL SPECIFICATION

CCT	3000K/4000K/5000K
CRI	80
VOLTAGE	120V-277V
POWER FREQUENCY	50/60 Hz
SENSOR	Photocell installed
POWER FACTOR	>0.9
THD	≤15%
WORKING TEMPERATURE	-40°F ~ 113°F
IP RATING	IP65 Wet Location
WARRANTY	5 year limited

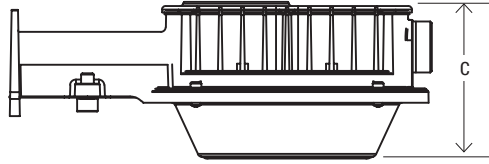
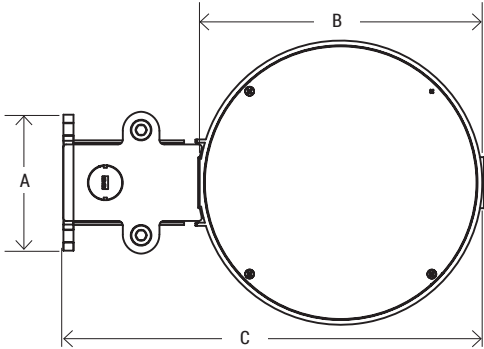


ORDERING SAMPLE: - -

Series	Wattage	CCT
PT-BL Dusk-to-Dawn Barn Light	LW (36W/48W/60W) HW (72W/96W/120W)	3CP (3000K/4000K/5000K)

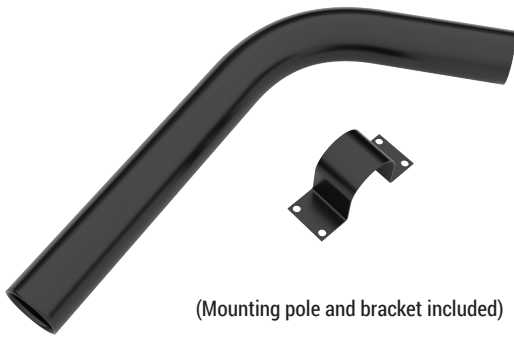
Catalog Number:	Project Name:	Note:	Date:	Type:
-----------------	---------------	-------	-------	-------

DIMENSION



PART NUMBER	A	B	C	D
PT-BL-LW-3CP	3.36"	7"	10.37"	3.87"
PT-BL-HW-3CP	3.36"	9.49"	13.48"	4.48"

MOUNTING



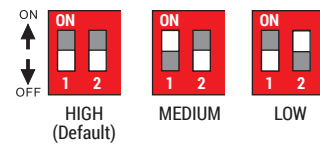
(Mounting pole and bracket included)

PARAMETER SETTING BY DIP SWITCH

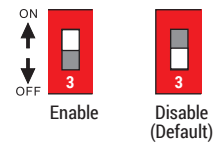


- 1, 2 - Wattage Select
- 3 - Photocell
- 4, 5 - CCT Select

WATTAGE SELECT



PHOTOCELL



CCT SELECT

