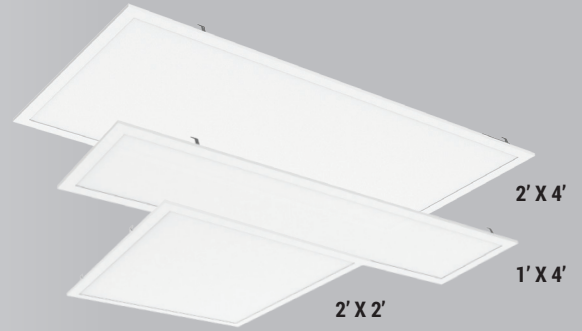


Catalog Number:	Project Name:	Note:	Date:	Type:
-----------------	---------------	-------	-------	-------

8th Generation Flat Panel

Portor's 8th Generation BLP series produce industry-leading performance with deep energy savings and continuous dimming. The compact, slick profile produces uniform and glare free lumen output.

Perfect application for retail stores, schools, offices, markets and restaurant.



CONSTRUCTION

Constructed with a cold-rolled steel and extruded aluminum frame, finished with a durable matte white coating. Features a sleek, slim profile design with integrated T-bar mounting clips built directly into the fixture for easy installation.

OPTICS

The back-lit Frosted Polystyrene lens ensure uniform light distribution, while the diffuser lens minimizes glare and enhances overall energy efficiency.

ELECTRICAL

Luminaire is built with the highest quality driver that is Universal Voltage (120V-27V). Long life, high-efficacy, micro-power LEDs. Continuous dimming (0-10V) comes standard.

MOUNTING

Recessed ceiling mount ready (default). Surface mount and suspension mount with optional accessories.

CONTROLS

Options available for occupancy sensors with daylight harvesting function, TEELIO Bluetooth lighting controls, and Lutron AWN.

LISTING

UL Listed, DLC Premium Listed, IC rated

LIFESPAN

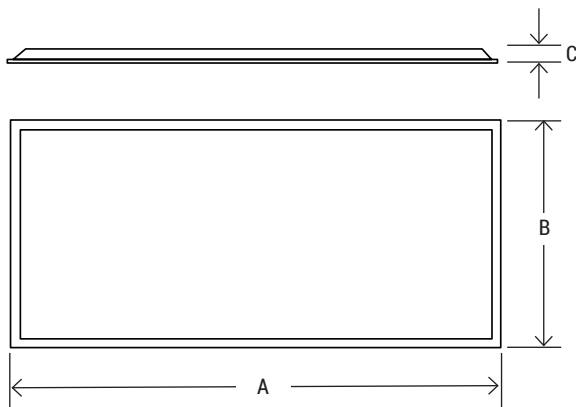
L70 > 100,000 hours

TECHNICAL SPECIFICATION

CCT	3500K/4000K/5000K
CRI	80+
DIMMING	1-10V dimming
VOLTAGE	120V-277V
POWER FREQUENCY	50/60 Hz
CURRENT	0.9 - 0.33A
POWER FACTOR	>0.9
THD	≤20%
WORKING TEMPERATURE	-4°F ~ 122°F
IP RATING	IP40, For damp location
WARRANTY	5 year limited (Standard)







DIMENSION














CATALOG NO.	PT-BLP8-24	PT-BLP8-22	PT-BLP8-14
A	47.8"	23.7"	47.8"
B	23.7"	23.7"	11.8"
C	1.5"	1.5"	1.5"
Net Weight	7.41 lbs	3.91 lbs	5.92 lbs
Gross Weight	8.84 lbs	4.77 lbs	6.75 lbs

Catalog Number:	Project Name:	Note:	Date:	Type:
-----------------	---------------	-------	-------	-------

ORDERING SAMPLE: **PT-BLP8-24-3CP-PT-BTC-6-PT-BTN-PT-EMG-8-MC-5W-SC-6F**


PT-BLP8 - [] - 3CP - [] - [] - []					
Fixture			Controls/Sensors (Sold separately)		
Series	Size	CCT/Wattage	TEELIO ¹	Analog Sensors	Lutron AWN
PT-BLP8	14 (1' X 4')	3CP (25W/30W/40W) (35K/40K/50K)	_ Blank 	_ Blank 	_ Blank 
	22 (2' X 2')	3CP (25W/30W/40W) (35K/40K/50K)	PT-BTC-6 6A Bluetooth Power Pack 	PT-MSH-LV-MW Internally Installed Low Voltage Microwave Sensor	AWN-RF RF only Athena Wireless Node (white) Lutron Model #: A-WN-D01-RF-WH
	24 (2' X 4')	3CP (30W/40W/50W) (35K/40K/50K)	PT-BTN Internally Installed Low Voltage Bluetooth Node		


[] - [] - [] - [] - []				
Adds-On	Mounting	Fixture Adds-on (Sold separately)		
EM Battery	Surface Mount Kit	Transformer ²	Junction Box	Whips
_ Blank  PT-EMG-8W 8W AC EM Battery Pack PT-EMG-15W 15W AC EM Battery Pack	_ Blank  SMK-UNI-14 1'x4' Surface Mount Kit SMK-UNI-22 2'x2' Surface Mount Kit SMK-UNI-24 2'x4' Surface Mount Kit Pendant Mounting Kit _ Blank  FK-14 1'x4' Flange Kit FK-22 2'x2' Flange Kit FK-24 2'x4' Flange Kit Aircraft Cable _ Blank  A-CBL-BLP-224 5' Aircraft Cable for 1x4, 2x2, 2x4	_ Blank  PT-SDT-325 325 VA Step down Transformer	_ Blank  JB-BLP Extension Junction Box for 2x2 and 2x4 panel	_ Blank  MC-5W-SC-6F 6ft 5-wire MC Whip with Screw-in Connector MC-6W-SC-6F 6ft 6-wire MC Whip with Screw-in Connector MC-5W-SN-HD-6F 6ft 5-wire MC Whip with Snap-in Head Connector MC-6W-SN-HD-6F 6ft 6-wire MC Whip with Snap-in Head Connector
		¹ DOWNLOAD THE TEELIO APP    		² TRANSFORMER <i>PT-SDT-325 is a step-down auto-transformer designed to convert high voltage, low current power into low voltage, high current power. It has a maximum power rating of 325VA, which makes it suitable for use in a variety of applications, such as electrical power transmission, distribution, and electronic devices.</i>


Catalog Number:	Project Name:	Note:	Date:	Type:
-----------------	---------------	-------	-------	-------

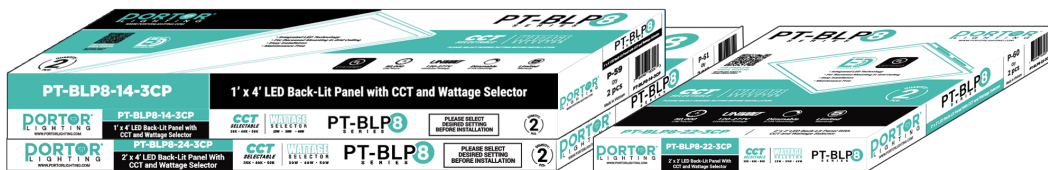
LUMEN PACKAGES

(Delivered lumens are based on the actual IES results)

CATALOG NUMBER	WATTAGE	CCT	DELIVERED LUMENS	EFFICACY (LM/W)	DLC ID
 PT-BLP8-14-3CP	25W	3500K	3,214	128	S-GWSTA2
		4000K	3,328	133	
		5000K	3,182	127	
	30W	3500K	3,703	123	
		4000K	3,949	132	
		5000K	3,738	125	
	40W	3500K	4,651	116	
		4000K	5,031	126	
		5000K	4,675	117	

CATALOG NUMBER	WATTAGE	CCT	DELIVERED LUMENS	EFFICACY (LM/W)	DLC ID
 PT-BLP8-22-3CP	25W	3500K	2,984	122	S-6JAU2P
		4000K	3,128	134	
		5000K	3,001	123	
	30W	3500K	3,521	118	
		4000K	3,721	131	
		5000K	3,539	119	
	40W	3500K	4,439	111	
		4000K	4,766	127	
		5000K	4,508	112	

CATALOG NUMBER	WATTAGE	CCT	DELIVERED LUMENS	EFFICACY (LM/W)	DLC ID
 PT-BLP8-24-3CP	30W	3500K	3,534	120	S-EC7YXF
		4000K	3,652	129	
		5000K	3,569	121	
	40W	3500K	4,566	115	
		4000K	4,756	126	
		5000K	4,609	116	
	50W	3500K	5,721	109	
		4000K	6,026	121	
		5000K	5,848	110	



WHAT'S IN THE BOX?

- Fixture
- Installation sheet

QTY/CARTON

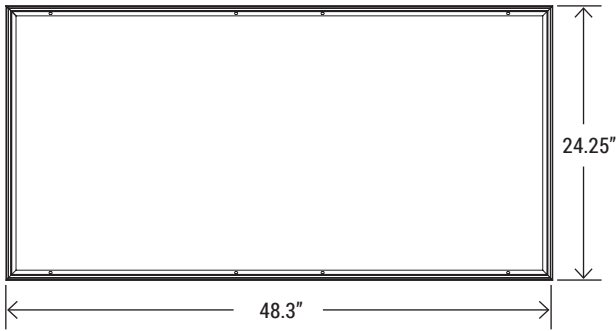
2
PIECES

Catalog Number:	Project Name:	Note:	Date:	Type:
-----------------	---------------	-------	-------	-------

DESCRIPTION

- Made of 22 ga cold rolled steel
- Painted in white after fabrication
- Easily convert recessed troffer/panel to surface mount
- Available in 2'x4', 1x4', 2'x2'

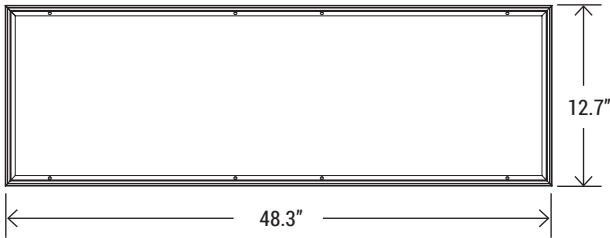
2' X 4'



SMK-UNI-24

2' x 4' Surface Mount Kit for Troffer/Flat Panel

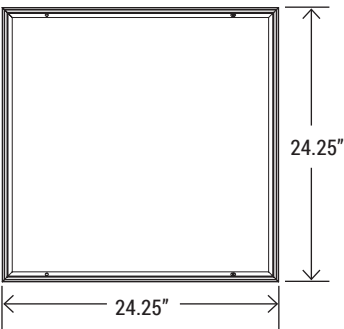
1' X 4'



SMK-UNI-14

1' x 4' Surface Mount Kit for Troffer/Flat Panel

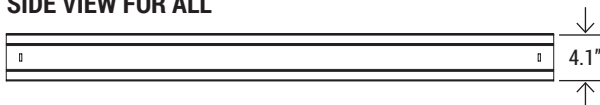
2' X 2'



SMK-UNI-22

2' x 2' Surface Mount Kit for Troffer/Flat Panel

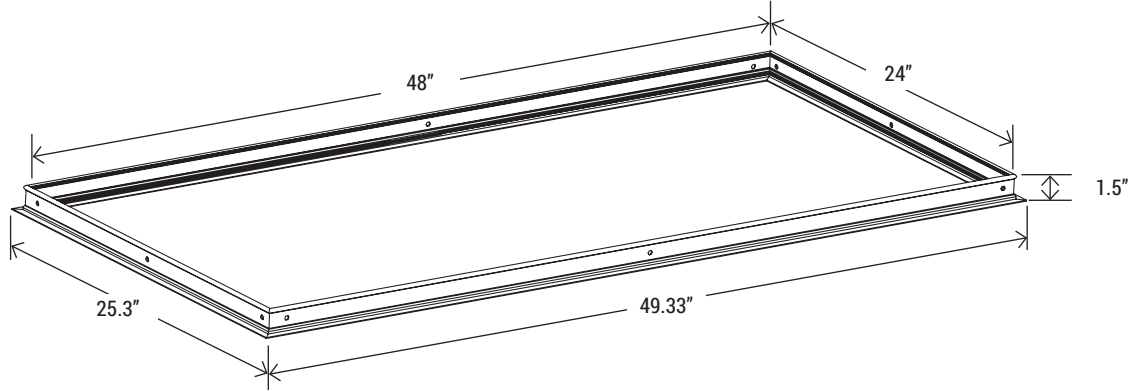
SIDE VIEW FOR ALL



Catalog Number:	Project Name:	Note:	Date:	Type:
-----------------	---------------	-------	-------	-------

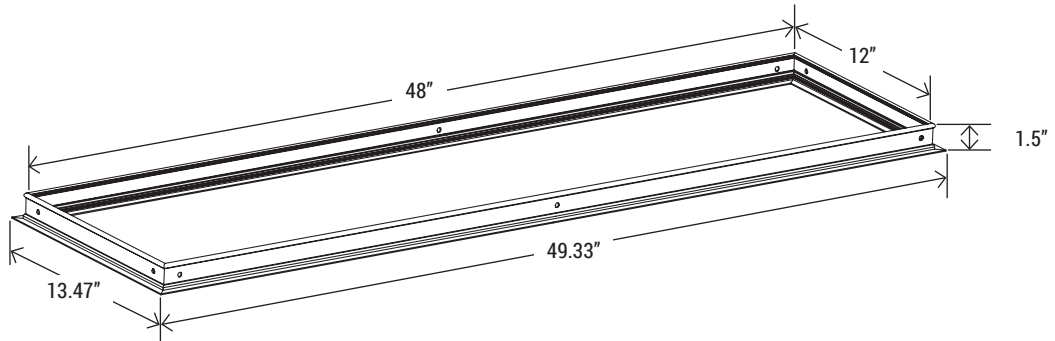
FK-24

2' x 4' Flange Kit



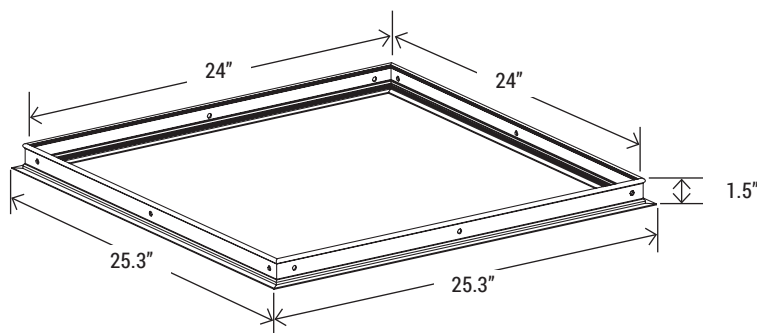
FK-14

1' x 4' Flange Kit



FK-22

2' x 2' Flange Kit



Catalog Number:

Project Name:

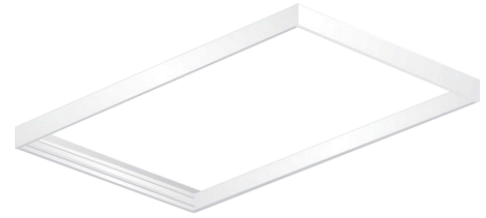
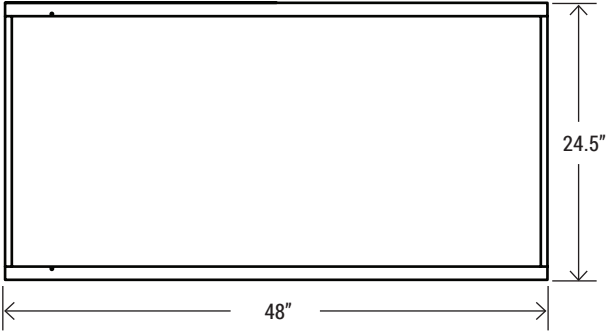
Note:

Date:

Type:

LIMITED STOCK

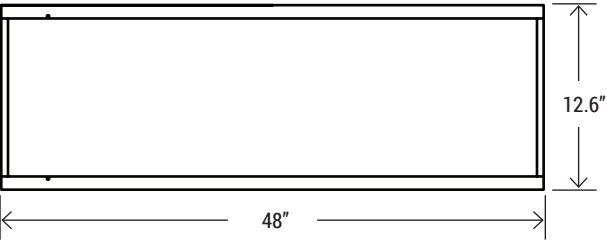
2' X 4'



SMK-BLP-24

2' x 4' Surface Mount Kit for Flat Panel

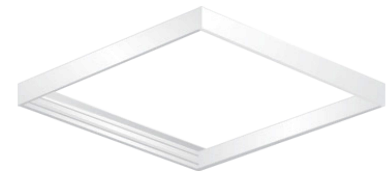
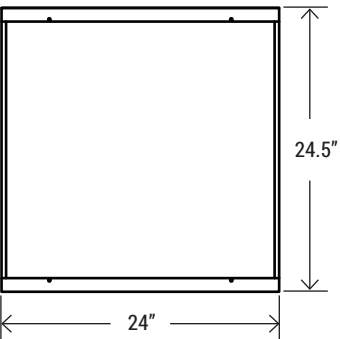
1' X 4'



SMK-BLP-14

1' x 4' Surface Mount Kit for Flat Panel

2' X 2'



SMK-BLP-22

2' x 2' Surface Mount Kit for Flat Panel

SIDE VIEW FOR ALL

