

Catalog Number:	Project Name:	Note:	Date:	Type:
-----------------	---------------	-------	-------	-------



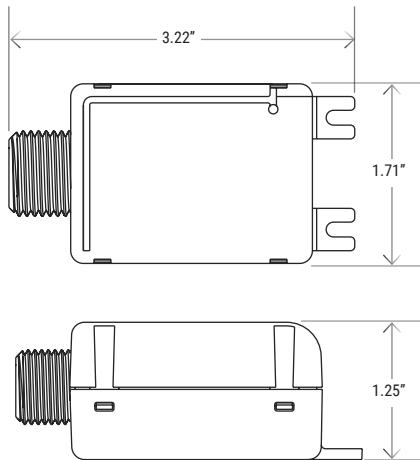
The 6A Bluetooth Fixture Controller seamlessly converts luminaires to wireless control for integration with the TEELIO Bluetooth system. Supporting 6 Amps, it can connect multiple fixtures in new construction applications. The PT-BTC-6 also functions as a power pack, providing DC12V auxiliary power to the PT-A-EMS-MW for sensor required applications.

### FEATURES

- 120-277VAC or 120-347VAC Input
- Integrated 6A relay
- Offers 12V, 200mA output power to sensors
- Attaches with standard 1/2" knockout
- Provides 0-10VDC dimmable single or dual channel output

### SPECIFICATIONS

<b>Input Voltage</b>	AC 120-277V
<b>Frequency</b>	50/60 Hz
<b>Output Voltage</b>	AC120-277V
<b>Output Current</b>	6A Max
<b>Output Power</b>	720W Max @ 120V, 1662W Max @ 277V, 2082W Max @ 347V
<b>Dimming</b>	Class 2, 0-10V DC 10mA Max
<b>Sinking Current</b>	10mA Max
<b>Bluetooth Transmit</b>	200ft Max
<b>Radio Frequency</b>	2.4GHz ± 75MHz
<b>Bluetooth Version</b>	5.0
<b>Housing Material</b>	UL 94-5VA
<b>Indoor/Outdoor Use</b>	Indoor Use
<b>Operating Temperature</b>	-22°F to 149°F
<b>Storage Temperature</b>	-22°F to 185°F
<b>IP Rating</b>	IP20
<b>Color</b>	White
<b>Warranty</b>	5 year warranty
<b>Compliance</b>	UL8750, UL2043, UL1376, RoHS



### WIRING DIAGRAM

