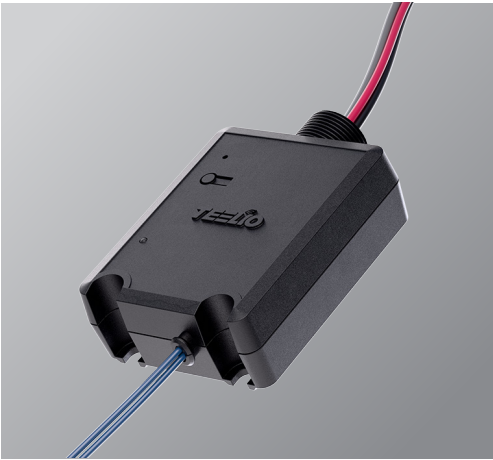


Catalog Number:	Project Name:	Note:	Date:	Type:
-----------------	---------------	-------	-------	-------



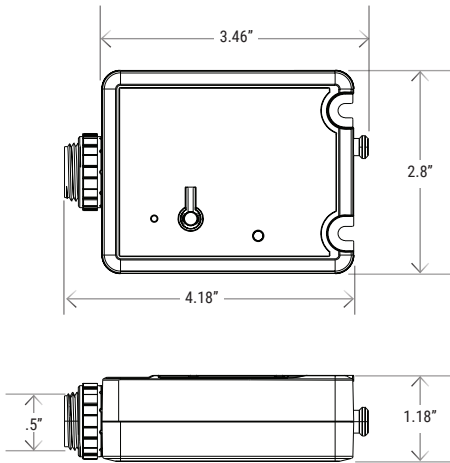
The PT-BTC-EM is a UL924-compliant emergency lighting controller designed for networked emergency lighting systems. It detects power interruptions in buildings and wirelessly signals the emergency circuit luminaires to override control inputs. Ideal for backup power systems like UPS or generators.

FEATURES

- Provision for remote test button or fire alarm interface
- Dual color function LED indicator
- Suitable for use in return air plenum rated UL2043
- Complies with UL924, RoHS
- Only one PT-BTC-EM is needed per zone

SPECIFICATIONS

Input Voltage	AC 120-277V
Frequency	50/60 Hz
Input Current	30mA
Input Power	5W
Bluetooth Transmit	200ft Max
Radio Frequency	2.4GHz ± 75MHz
Bluetooth Version	5.0
Housing Material	UL 94-5VA
Indoor/Outdoor Use	Indoor Use
Operating Temperature	-22°F to 122°F
Storage Temperature	-22°F to 185°F
IP Rating	IP20
Color	Black
Warranty	5 year warranty
Compliance	UL8750, RoHS



WIRING DIAGRAM

