

Catalog Number:	Project Name:	Note:	Date:	Type:
-----------------	---------------	-------	-------	-------

**DESCRIPTION**

Portor CAS1 series is a Round Canopy luminaire that combines high energy-efficient and slim profile aesthetics to deliver high lighting performance. Featuring a hinged mounting plate that make installation a breeze. The CAS1 Series features wattage and color selectable technology that lets the user choose between 3000K, 4000K, or 5000K.

Perfect application for parking garages, hallways, toll stations, and shopping centers.



**Comes with an integrated audiojack sensor receptacle**

**CONSTRUCTION**

Aluminum alloy design with professional light distribution technique. Grooves between hinged construction to provide excellent heat dissipation.

**ELECTRICAL**

Luminaire is built with the highest quality driver that is Universal Voltage (120-277V), uses long lasting, high-efficient LED packages.

**OPTICAL SYSTEM**

Featuring an durable, shattered resistant frosted lens with low glare that delivers high performance disbursement.

**ENERGY SAVINGS**

Over 60% energy savings than traditionally HID fixtures, low heat productions requires less maintenance and operation cost.

**LISTING**

UL Listed, DLC Premium Listed, FCC, RoHS

**WARRANTY**

5 year Limited Warranty, Rated for 50,000 hours.

WATTAGE	DELIVERED LUMENS	EFFICACY
55W	8,648	162 lm/W
65W	10,063	160 lm/W
75W	11,365	158 lm/W

*Based on IES results @ 4000K. Actual lumens may vary.*

**TECHNICAL SPECIFICATION**

CCT TUNABLE	3000K/4000K/5000K
CRI	80+
DIMMABLE	Continuous Dimming to 10% or below
LIGHTING ANGLE	150°
VOLTAGE	120V-277V
POWER FREQUENCY	50/60 Hz
POWER FACTOR	>0.9
THD	≤15%
WORKING TEMPERATURE	-40°F ~ 104°F
STORAGE TEMPERATURE	-40°F ~ 158°F
IP RATING	IP65 Wet Locations
WARRANTY	5 year limited
DLC PRODUCT ID	S-PZNCN3

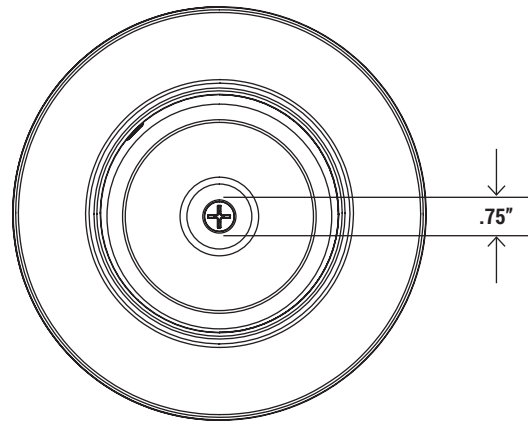
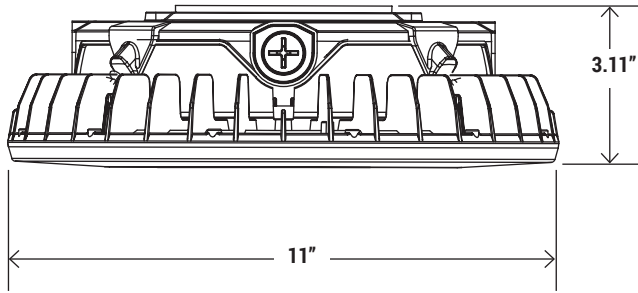


ORDERING SAMPLE:  -  -  -  -

Series	Wattage	CCT	Accessories/Options	
PT-CAS1 Round Canopy Luminaire	MW (55W/65W/75W)	3CP (3000/4000K/5000K)	Photocell PSA	Motion Sensor PT-UNI-35-PR MSS-RC-100

Catalog Number:	Project Name:	Note:	Date:	Type:
-----------------	---------------	-------	-------	-------

**DIMENSION**



**PHOTOCELL OPTION**



PSA  
Adjustable Photocell

**MOTION SENSOR**

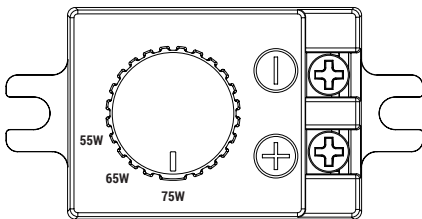


PT-UNI-35-PR  
PIR Motion Sensor

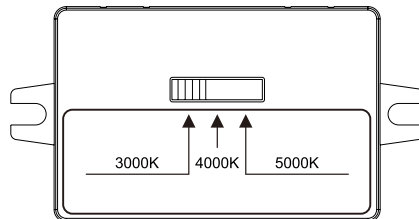


MSS-RC-100  
Remote Control

**ADJUST THE WATTAGE AND COLOR TEMPERATURE THROUGH THE SWITCH:**



Rotate the dial to get the desired wattage.



Move the switch left and right to get the desired color temperature.

Catalog Number:	Project Name:	Note:	Date:	Type:
-----------------	---------------	-------	-------	-------

**DESCRIPTION**

Portor CAS1 series is a Round Canopy luminaire that combines high energy-efficient and slim profile aesthetics to deliver high lighting performance. Featuring a hinged mounting plate that make installation a breeze. The CAS1 Series features wattage and color selectable technology that lets the user choose between 3000K, 4000K, or 5000K.

Perfect application for parking garages, hallways, toll stations, and shopping centers.



**Comes with an integrated audiojack sensor receptacle**

**CONSTRUCTION**

Aluminum alloy design with professional light distribution technique. Grooves between hinged construction to provide excellent heat dissipation.

**ELECTRICAL**

Luminaire is built with the highest quality driver that is Universal Voltage (120-277V), uses long lasting, high-efficient LED packages.

**OPTICAL SYSTEM**

Featuring an durable, shattered resistant frosted lens with low glare that delivers high performance disbursement.

**ENERGY SAVINGS**

Over 60% energy savings than traditionally HID fixtures, low heat productions requires less maintenance and operation cost.

**LISTING**

UL Listed, DLC Premium Listed, FCC, RoHS

**WARRANTY**

5 year Limited Warranty, Rated for 50,000 hours.

WATTAGE	DELIVERED LUMENS	EFFICACY
20W	3,309	156 lm/W
30W	4,678	153 lm/W
40W	5,955	148 lm/W

*Based on IES results @ 4000K. Actual lumens may vary.*

**TECHNICAL SPECIFICATION**

CCT TUNABLE	3000K/4000K/5000K
CRI	80+
DIMMABLE	Continuous Dimming to 10% or below
LIGHTING ANGLE	150°
VOLTAGE	120V-277V
POWER FREQUENCY	50/60 Hz
POWER FACTOR	>0.9
THD	≤15%
WORKING TEMPERATURE	-40°F ~ 104°F
STORAGE TEMPERATURE	-40°F ~ 158°F
IP RATING	IP65 Wet Locations
WARRANTY	5 year limited
DLC PRODUCT ID	S-Z9CXGQ

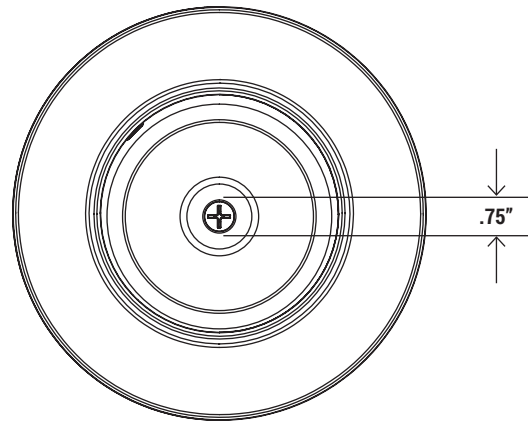
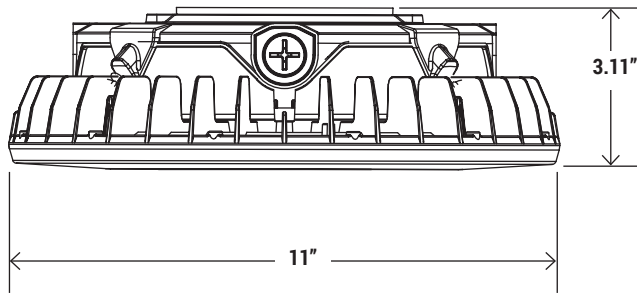


ORDERING SAMPLE:  -  -  -  -

Series	Wattage	CCT	Accessories/Options	
PT-CAS1 Round Canopy Luminaire	LW (20W/30W/40W)	3CP (3000/4000K/5000K)	Photocell PSA	Motion Sensor PT-UNI-35-PR MSS-RC-100

Catalog Number:	Project Name:	Note:	Date:	Type:
-----------------	---------------	-------	-------	-------

**DIMENSION**



**PHOTOCELL OPTION**



PSA  
Adjustable Photocell

**MOTION SENSOR**

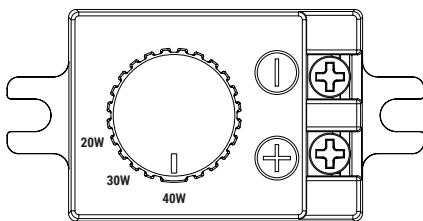


PT-UNI-35-PR  
PIR Motion Sensor

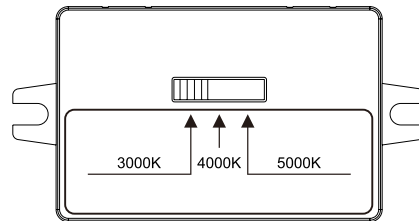


MSS-RC-100  
Remote Control

**ADJUST THE WATTAGE AND COLOR TEMPERATURE THROUGH THE SWITCH:**



Rotate the dial to get the desired wattage.



Move the switch left and right to get the desired color temperature.