

Catalog Number:	Project Name:	Note:	Date:	Type:
-----------------	---------------	-------	-------	-------

Portor CAT2 series is a LED Square Canopy luminaire that combines high energy-efficient and slim profile aesthetics to deliver high lighting performance and featuring a hinged mounting plate that make installation a breeze. The CAT2 Series features color selectable technology that lets the user choose between 3000K, 4000K, or 5000K.

Perfect application for parking garages, hallways, toll stations, and shopping centers.



CCT SELECTABLE **WATTAGE** SELECTOR

CONSTRUCTION

Rugged design with professional light distribution technique. Has high light reflectivity reflectors, grooves between hinged construction to provide excellent heat dissipation.

ELECTRICAL

Luminaire is built with the highest quality driver that is Universal Voltage (120-277V), uses long lasting, high-efficient LED packages. Flicker free, non-dimming.

OPTICAL SYSTEM

Featuring an durable, shattered resistant frosted lens with low glare that delivers high performance disbursement.

ENERGY SAVINGS

Over 60% energy savings than traditionally HID fixtures, low heat productions requires less maintenance and operation cost.

LISTING

ETL Listed, DLC Premium Listed, IP65 rated

WARRANTY

3 year Limited Warranty, Rated for 50,000 hours. See Warranty documentation for details.

WATTAGE	DELIVERED LUMENS	EFFICACY
40W	4,800	up to 150 lm/W
60W	8,269	
70W	9,055	

Based on actual wattage setting @ 5000K. Actual lumens may vary.

TECHNICAL SPECIFICATION

CCT	3000K/4000K/5000K
CRI	80+
DIMMABLE	0-10V dimming
LIGHTING ANGLE	155°
VOLTAGE	120V-277V
POWER FREQUENCY	50/60 Hz
POWER FACTOR	>0.9
THD	≤10%
WORKING TEMPERATURE	-40°F ~ 104°F
STORAGE TEMPERATURE	-40°F ~ 158°F
IP RATING	IP65 Wet Locations
BODY FINISH	Dark Bronze
WARRANTY	3 year limited

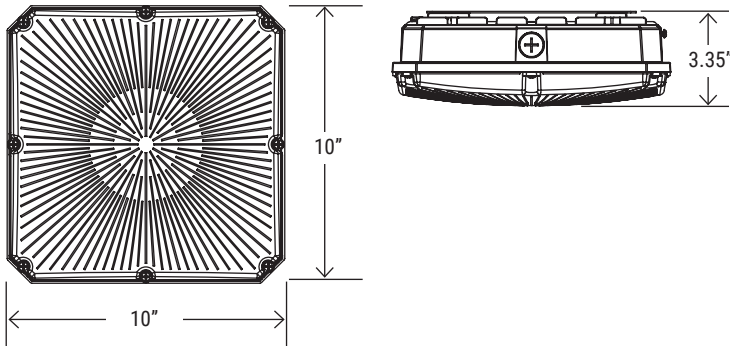


ORDERING SAMPLE: - - -

Series	Wattage	CCT	Accessories/Options
PT-CAT2 LED Square Canopy Luminaire Series	HW (40W/60W/70W)	3CP (3000K/4000K/5000K)	Photocell PSA PSB

Catalog Number:	Project Name:	Note:	Date:	Type:
-----------------	---------------	-------	-------	-------

DIMENSION



COMPATIBLE DIMMERS

LEVITON*	LUTRON*
• DS710	• DVSTV • DVTV

*For more details, please visit company's website

PHOTOCELL OPTION



PSA
Adjustable Photocell



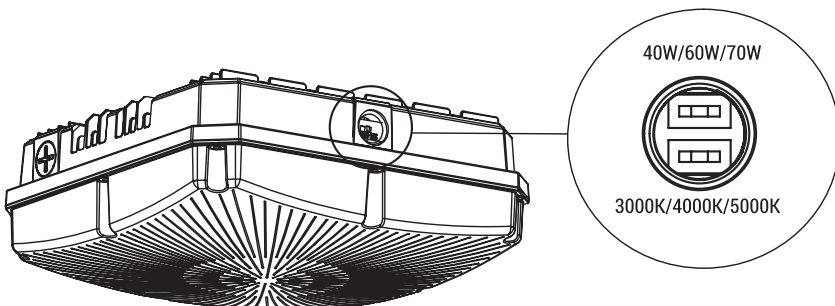
PSB
Photocell



DLC LISTING
PREMIUM

CATALOG NUMBER	WATTAGE	DELIVERED LUMENS	EFFICACY	DLC PRODUCT ID	CLASSIFICATION
PT-CAT2-HW-3CP	70W	9,055	132 lm/W	S-5921WX	PREMIUM

ADJUST THE COLOR TEMPERATURE /WATTAGE THROUGH THE SWITCH:



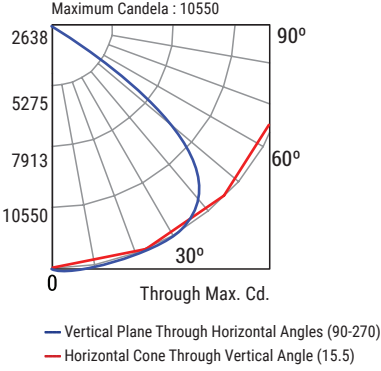
CCT **WATTAGE**
SELECTABLE **SELECTOR**

Move the switch left and right to get the desired color temperature/wattage.

Catalog Number:	Project Name:	Note:	Date:	Type:
-----------------	---------------	-------	-------	-------

PHOTOMETRICS DATA

PT-CAT2-HW-3CP	Wattage: 40W	Delivered lumens: 6087	Efficacy: 155 lm/W	CCT: 5000K	CRI: 80
-----------------------	---------------------	-------------------------------	---------------------------	-------------------	----------------

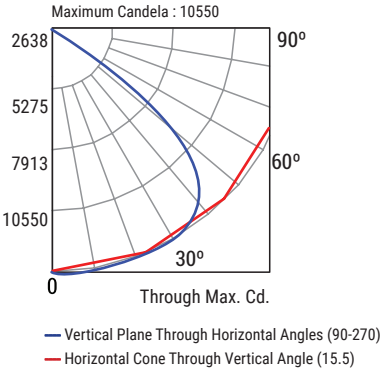


		Coefficients of Utilization										
		80%				70%				50%		
0	1	70%	50%	30%	10%	70%	50%	30%	10%	50%	30%	10%
0	119	119	119	119	116	116	116	116	111	111	111	111
1	111	108	104	101	109	105	102	100	101	99	97	97
2	103	97	91	87	101	95	90	86	92	88	84	84
3	96	87	81	75	94	86	80	75	83	78	74	74
4	89	79	72	66	87	78	71	66	76	70	65	65
5	83	72	64	59	81	71	64	58	69	63	58	58
6	77	66	58	52	76	65	58	52	63	57	52	52
7	72	60	53	47	71	60	52	47	58	52	47	47
8	68	56	48	43	66	55	48	43	54	47	42	42
9	63	51	44	39	62	51	44	39	50	43	39	39
10	60	48	40	36	58	47	40	36	46	40	35	35

CP Summary		
	0°	90°
0°	10519.0	10519.0
5°	10514.0	10515.0
15°	10502.0	10549.0
25°	9516.2	10269.0
35°	7535.7	8556.0
45°	4454.6	4940.8
55°	2433.6	2343.4
65°	1018.1	954.03
75°	314.55	340.22
85°	116.22	5.086
90°	17.063	2.591

Zonal Lumen Summary		
	Lumens	%Fixture
0° - 20°	3965.49	19.00
0° - 30°	8513.16	40.90
0° - 40°	13486.68	64.70
0° - 60°	13360.51	92.90
0° - 80°	20747.88	99.60
0° - 90°	20838.08	100.00

PT-CAT2-HW-3CP	Wattage: 60W	Delivered lumens: 9302	Efficacy: 155 lm/W	CCT: 5000K	CRI: 80
-----------------------	---------------------	-------------------------------	---------------------------	-------------------	----------------

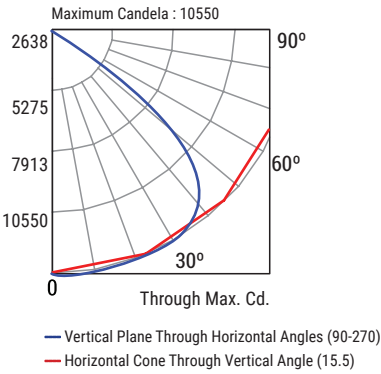


		Coefficients of Utilization										
		80%				70%				50%		
0	1	70%	50%	30%	10%	70%	50%	30%	10%	50%	30%	10%
0	119	119	119	119	116	116	116	116	111	111	111	111
1	111	108	104	101	109	105	102	100	101	99	97	97
2	103	97	91	87	101	95	90	86	92	88	84	84
3	96	87	81	75	94	86	80	75	83	78	74	74
4	89	79	72	66	87	78	71	66	76	70	65	65
5	83	72	64	59	81	71	64	58	69	63	58	58
6	77	66	58	52	76	65	58	52	63	57	52	52
7	72	60	53	47	71	60	52	47	58	52	47	47
8	68	56	48	43	66	55	48	43	54	47	42	42
9	63	51	44	39	62	51	44	39	50	43	39	39
10	60	48	40	36	58	47	40	36	46	40	35	35

CP Summary		
	0°	90°
0°	10519.0	10519.0
5°	10514.0	10515.0
15°	10502.0	10549.0
25°	9516.2	10269.0
35°	7535.7	8556.0
45°	4454.6	4940.8
55°	2433.6	2343.4
65°	1018.1	954.03
75°	314.55	340.22
85°	116.22	5.086
90°	17.063	2.591

Zonal Lumen Summary		
	Lumens	%Fixture
0° - 20°	3965.49	19.00
0° - 30°	8513.16	40.90
0° - 40°	13486.68	64.70
0° - 60°	13360.51	92.90
0° - 80°	20747.88	99.60
0° - 90°	20838.08	100.00

PT-CAT2-HW-3CP	Wattage: 70W	Delivered lumens: 9241	Efficacy: 155 lm/W	CCT: 5000K	CRI: 80
-----------------------	---------------------	-------------------------------	---------------------------	-------------------	----------------



		Coefficients of Utilization										
		80%				70%				50%		
0	1	70%	50%	30%	10%	70%	50%	30%	10%	50%	30%	10%
0	119	119	119	119	116	116	116	116	111	111	111	111
1	111	108	104	101	109	105	102	100	101	99	97	97
2	103	97	91	87	101	95	90	86	92	88	84	84
3	96	87	81	75	94	86	80	75	83	78	74	74
4	89	79	72	66	87	78	71	66	76	70	65	65
5	83	72	64	59	81	71	64	58	69	63	58	58
6	77	66	58	52	76	65	58	52	63	57	52	52
7	72	60	53	47	71	60	52	47	58	52	47	47
8	68	56	48	43	66	55	48	43	54	47	42	42
9	63	51	44	39	62	51	44	39	50	43	39	39
10	60	48	40	36	58	47	40	36	46	40	35	35

CP Summary		
	0°	90°
0°	10519.0	10519.0
5°	10514.0	10515.0
15°	10502.0	10549.0
25°	9516.2	10269.0
35°	7535.7	8556.0
45°	4454.6	4940.8
55°	2433.6	2343.4
65°	1018.1	954.03
75°	314.55	340.22
85°	116.22	5.086
90°	17.063	2.591

Zonal Lumen Summary		
	Lumens	%Fixture
0° - 20°	3965.49	19.00
0° - 30°	8513.16	40.90
0° - 40°	13486.68	64.70
0° - 60°	13360.51	92.90
0° - 80°	20747.88	99.60
0° - 90°	20838.08	100.00