

Catalog Number:	Project Name:	Note:	Date:	Type:
-----------------	---------------	-------	-------	-------

**3rd Generation Disk Downlight**

Portor's third generation disk downlight are an ideal solution when recessed fixtures are not an option. Available in multiple apertures, the DDL-3 Series features color tunable technology that lets the user choose between 2700K, 3000K, 3500K, 4000K, or 5000K.

Ideal for drop ceilings, closets, attics, hallways, bathrooms, kitchens, basements, entry ways, porches (covered ceiling only), garages, stairwells, corridors, nursing/retirement homes, condos, elevators, apartments, and any other small areas with limited ceiling space.



**CONSTRUCTION**

High quality aluminum and PC housing material with architectural white finish. Standard gasket included to ensure proper seal. J-box installations only.

**ELECTRICAL**

Luminaire is built with the highest quality 120V drivers, ensuring energy efficiency.

**ENERGY SAVINGS**

80% more energy savings than halogen lamps. Low heat production requires less air-conditioning requirements, further increasing energy cost savings.

**DIMMING**

Triac dimmable down to 10%. Compatible with most major brands of dimmers.

**LISTING**

ETL Listed, FCC, RoHS, CE & Energy Star Listed

NOMINAL WATTAGE	DELIVERED LUMENS	EFFICACY
7W	609 LM @ 2700K	up to 82 lm/W
	639 LM @ 3000K	
	654 LM @ 3500K	
	666 LM @ 4000K	
12W	658 LM @ 5000K	up to 79 lm/W
	936 LM @ 2700K	
	1,001 LM @ 3000K	
	1,041 LM @ 3500K	
15W	1,044 LM @ 4000K	up to 79 lm/W
	1,001 LM @ 5000K	
	1,170 LM @ 2700K	
	1,251 LM @ 3000K	
15W	1,301 LM @ 3500K	up to 79 lm/W
	1,305 LM @ 4000K	
	1,251 LM @ 5000K	
	1,251 LM @ 5000K	

Actual lumens may vary.

**TECHNICAL SPECIFICATION**

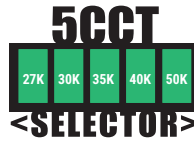
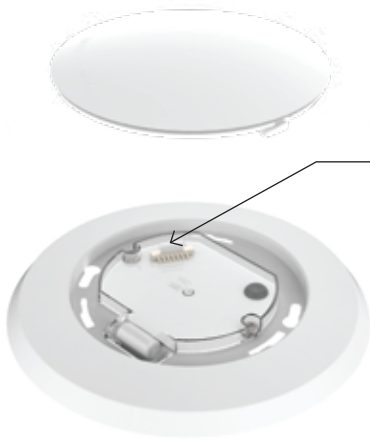
VOLTAGE	120V
POWER FREQUENCY	60 Hz
CRI	90
CCT	2700K   3000K   3500K   4000K   5000K
BEAM ANGLE	120°
IP RATING	Suitable for wet locations
DIMMABLE	Triac dimming
POWER FACTOR	>0.9
OPERATING TEMP.	14°F ~ 122°F (-10°C ~ 50°C)
LIFESPAN	50,000 hrs (Based on 3 hrs/day)
WARRANTY	5 year limited



**ORDERING SAMPLE:**

<b>PT-DDL</b>	-		-	<b>5CCT</b>	-	<b>3</b>	-	
Series	Wattage	CCT	Generation	Warranty				
<b>PT-DDL</b> Disk Downlights	<b>4I-7W</b> (7W)  <b>6I-12W</b> (12W)  <b>8I-15W</b> (15W)	<b>5CCT</b> (2700K/3000K/3500K /4000K/5000K)	<b>3</b> Generation	<b>Blank</b> (5 Year standard) <b>7YR</b> 7-year Limited Warranty <b>10YR</b> 10-year Limited Warranty				

Catalog Number:	Project Name:	Note:	Date:	Type:
-----------------	---------------	-------	-------	-------



Remove the lens and Easily flip the switch for desired CCT

- Fits most J-box
- Sealing gasket standard

QTY/CARTON

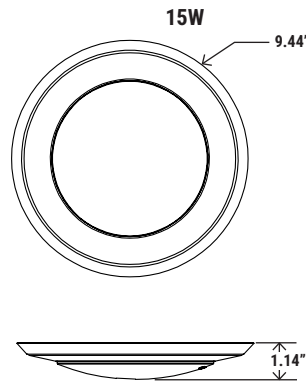
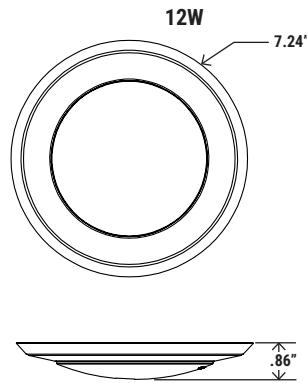
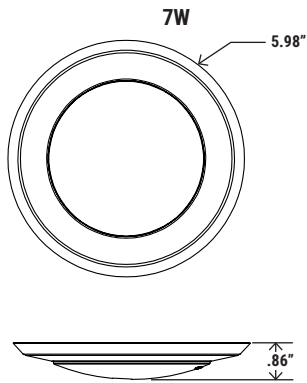
**40**

PIECES

**BULK24 OPTION AVAILABLE**

Less Boxes Faster Installation

**DIMENSION**

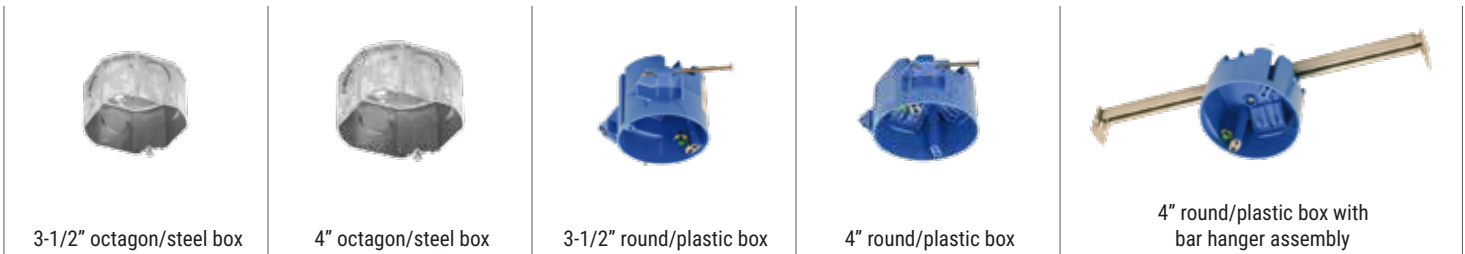


**COMPATIBLE DIMMERS**

LUTRON
• PD-6WCL
• DVCL-153P
• CTCL-153P
• MACL-153M
• TGCL-153P
LEVITON
• 6681
• 6672

**MOUNTING OPTION**

The junction boxes listed below are meant to be a reference list only. Junction box sizes may vary. It is the responsibility of the individual performing the installation to confirm that the fixture can properly and safely work with any junction box.



(For through circuit wiring applications, recommended j-box size is 2-1/8 inch deep)