

Catalog Number:	Project Name:	Note:	Date:	Type:
-----------------	---------------	-------	-------	-------

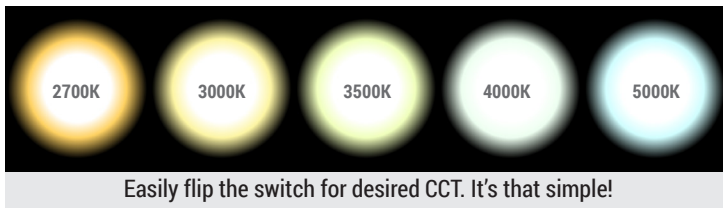
**2nd Generation Disk Downlight**

Portor's second generation disk downlight are an ideal solution when recessed fixtures are not an option. Available in multiple apertures, the DDL2 Series features color tunable technology that lets the user choose between 2700K, 3000K, 3500K, 4000K, or 5000K.

Ideal for drop ceilings, closets, attics, hallways, bathrooms, kitchens, basements, entry ways, porches (covered ceiling only), garages, stairwells, corridors, nursing/retirement homes, condos, elevators, apartments, and any other small areas with limited ceiling space.



**TUNABLE 5-1 CCT SELECTOR**



NOMINAL WATTAGE	DELIVERED LUMENS	EFFICACY
10W	540 LM @ 2700K	up to 60 lm/W
	591 LM @ 3000K	
	614 LM @ 3500K	
	617 LM @ 4000K	
	586 LM @ 5000K	

*Actual lumens may vary.*

**TECHNICAL SPECIFICATION**

VOLTAGE	120V
POWER FREQUENCY	60 Hz
CRI	90
CCT	2700K   3000K   3500K   4000K   5000K
BEAM ANGLE	120°
IP RATING	Suitable for wet locations
DIMMABLE	Triac dimming
POWER FACTOR	>0.9
OPERATING TEMP.	14°F ~ 122°F (-10°C ~ 50°C)
LIFESPAN	50,000 hrs (Based on 3 hrs/day)
WARRANTY	5 year limited

**CONSTRUCTION**

High quality aluminum and PC housing material with architectural white finish. Standard gasket included to ensure proper seal. J-box installations only.

**ELECTRICAL**

Luminaire is built with the highest quality 120V drivers, ensuring energy efficiency.

**ENERGY SAVINGS**

80% more energy savings than halogen lamps. Low heat production requires less air-conditioning requirements, further increasing energy cost savings.

**DIMMING**

Triac dimmable down to 10%. Compatible with most major brands of dimmers.

**LISTING**

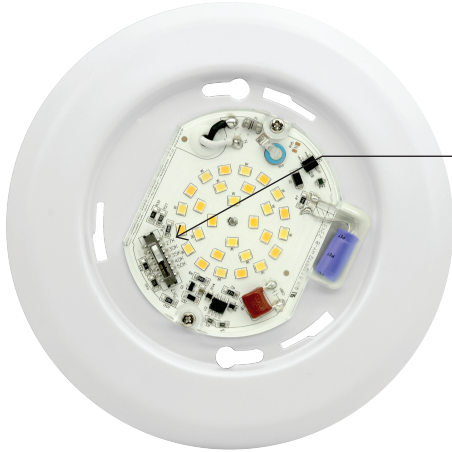
ETL Listed, FCC, RoHS, CE & Energy Star Listed



**ORDERING SAMPLE: PT-DDL2-4I-10W-5CCT**

Series	Watts	Lumens	Lms/Watt	CCT	CRI	Voltage
PT-DDL2-4I-10W-5CCT	10W	up to 617	up to 60	2700K/3000K/3500K/4000K/5000K	90	120V

Catalog Number:	Project Name:	Note:	Date:	Type:
-----------------	---------------	-------	-------	-------



Remove the lens and Easily flip the switch for desired CCT

- Fits most J-box
- Sealing gasket standard

QTY/CARTON

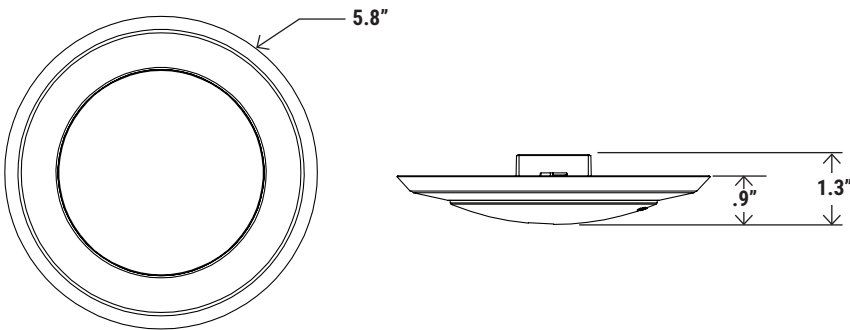
**40**

PIECES

**BULK24 OPTION AVAILABLE**

Less Boxes Faster Installation

**DIMENSION**

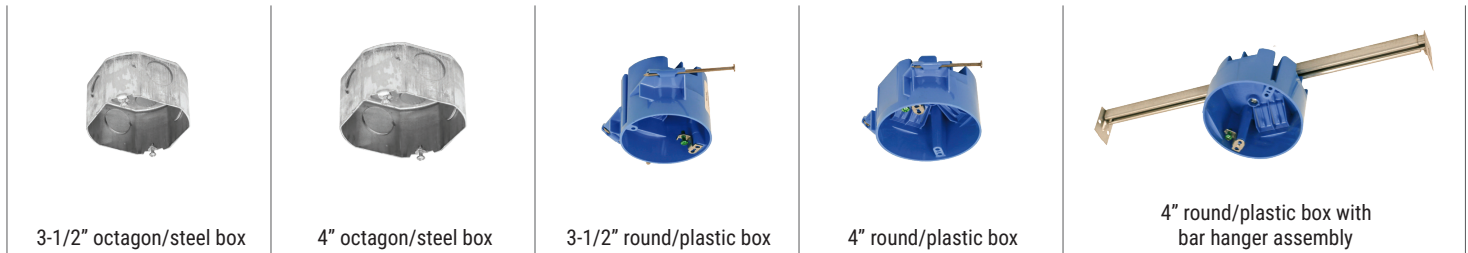


**COMPATIBLE DIMMERS**

LUTRON
• PD-6WCL
• DVCL-153P
• CTCL-153P
• MACL-153M
• TGCL-153P
LEVITON
• 6681
• 6672

**MOUNTING OPTION**

The junction boxes listed below are meant to be a reference list only. Junction box sizes may vary. It is the responsibility of the individual performing the installation to confirm that the fixture can properly and safely work with any junction box.



(For through circuit wiring applications, recommended j-box size is 2-1/8" deep)

Catalog Number:	Project Name:	Note:	Date:	Type:
-----------------	---------------	-------	-------	-------

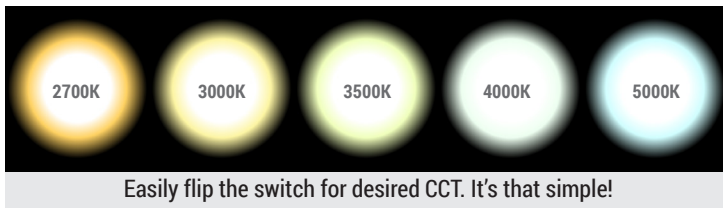
**2nd Generation Disk Downlight**

Portor's second generation disk downlight are an ideal solution when recessed fixtures are not an option. Available in multiple apertures, the DDL2 Series features color tunable technology that lets the user choose between 2700K, 3000K, 3500K, 4000K, or 5000K.

Ideal for drop ceilings, closets, attics, hallways, bathrooms, kitchens, basements, entry ways, porches (covered ceiling only), garages, stairwells, corridors, nursing/retirement homes, condos, elevators, apartments, and any other small areas with limited ceiling space.



**TUNABLE 5-1 CCT SELECTOR**



NOMINAL WATTAGE	DELIVERED LUMENS	EFFICACY
15W	923 LM @ 2700K	up to 75 lm/W
	970 LM @ 3000K	
	1098 LM @ 3500K	
	1126 LM @ 4000K	
	1023 LM @ 5000K	

*Actual lumens may vary.*

**TECHNICAL SPECIFICATION**

VOLTAGE	120V
POWER FREQUENCY	60 Hz
CRI	90
CCT	2700K   3000K   3500K   4000K   5000K
BEAM ANGLE	120°
IP RATING	Suitable for wet locations
DIMMABLE	Triac dimming
POWER FACTOR	>0.9
OPERATING TEMP.	14°F ~ 122°F (-10°C ~ 50°C)
LIFESPAN	50,000 hrs (Based on 3 hrs/day)
WARRANTY	5 year limited

**CONSTRUCTION**

High quality aluminum and PC housing material with architectural white finish. Standard gasket included to ensure proper seal. J-box installations only.

**ELECTRICAL**

Luminaire is built with the highest quality 120V drivers, ensuring energy efficiency.

**ENERGY SAVINGS**

80% more energy savings than halogen lamps. Low heat production requires less air-conditioning requirements, further increasing energy cost savings.

**DIMMING**

Triac dimmable down to 10%. Compatible with most major brands of dimmers.

**LISTING**

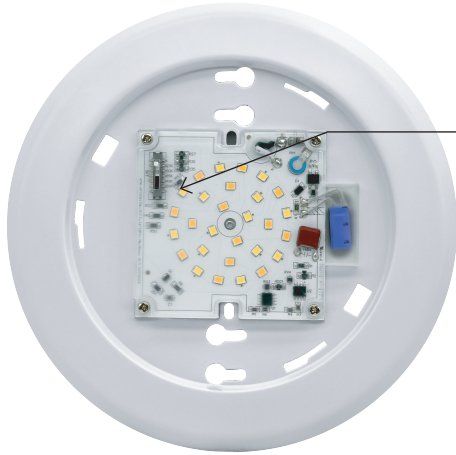
ETL Listed, FCC, RoHS, CE & Energy Star Listed



**ORDERING SAMPLE: PT-DDL2-6I-15W-5CCT**

Series	Watts	Lumens	Lms/Watt	CCT	CRI	Voltage
PT-DDL2-6I-15W-5CCT	15W	up to 1126	up to 75	2700K/3000K/3500K/4000K/5000K	90	120V

Catalog Number:	Project Name:	Note:	Date:	Type:
-----------------	---------------	-------	-------	-------



Remove the lens and  
Easily flip the switch  
for desired CCT

- Fits most J-box
- Sealing gasket standard

QTY/CARTON

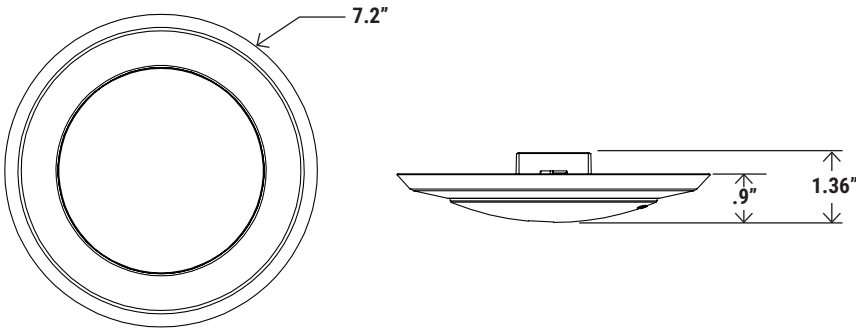
**24**

PIECES

**BULK24 OPTION  
AVAILABLE**

Less Boxes Faster Installation

**DIMENSION**

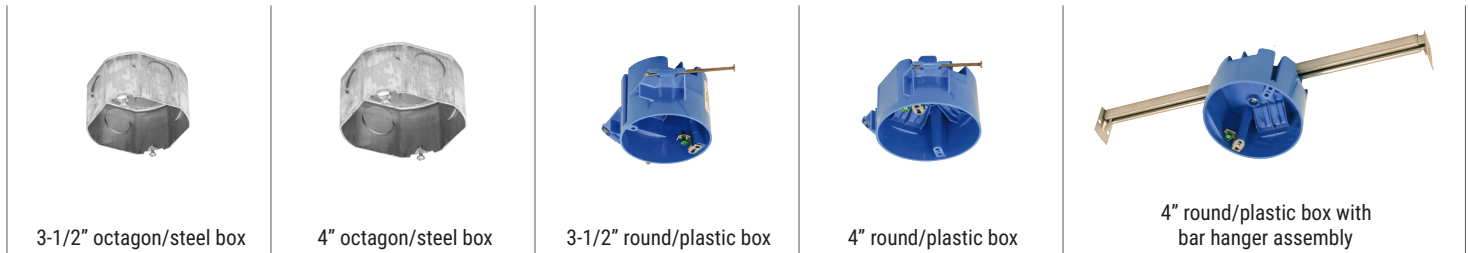


**COMPATIBLE DIMMERS**

LUTRON
• PD-6WCL
• DVCL-153P
• CTCL-153P
• MACL-153M
• TGCL-153P
LEVITON
• 6681
• 6672

**MOUNTING OPTION**

The junction boxes listed below are meant to be a reference list only. Junction box sizes may vary. It is the responsibility of the individual performing the installation to confirm that the fixture can properly and safely work with any junction box.



(For through circuit wiring applications, recommended j-box size is 2-1/8" deep)



Catalog Number:	Project Name:	Note:	Date:	Type:
-----------------	---------------	-------	-------	-------

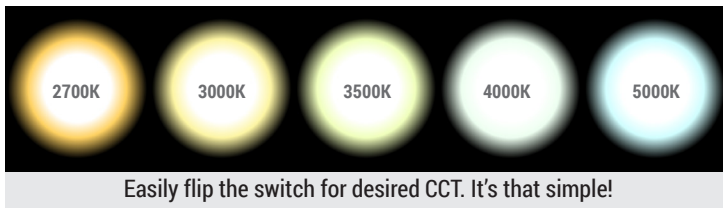
**2nd Generation Disk Downlight**

Portor's second generation disk downlight are an ideal solution when recessed fixtures are not an option. Available in multiple apertures, the DDL2 Series features color tunable technology that lets the user choose between 2700K, 3000K, 3500K, 4000K, or 5000K.

Ideal for drop ceilings, closets, attics, hallways, bathrooms, kitchens, basements, entry ways, porches (covered ceiling only), garages, stairwells, corridors, nursing/retirement homes, condos, elevators, apartments, and any other small areas with limited ceiling space.



**TUNABLE 5-1 CCT SELECTOR**



NOMINAL WATTAGE	DELIVERED LUMENS	EFFICACY
18W	1218 LM @ 2700K	up to 75 lm/W
	1247 LM @ 3000K	
	1303 LM @ 3500K	
	1356 LM @ 4000K	
	1298 LM @ 5000K	

*Actual lumens may vary.*

**TECHNICAL SPECIFICATION**

VOLTAGE	120V
POWER FREQUENCY	60 Hz
CRI	90
CCT	2700K   3000K   3500K   4000K   5000K
BEAM ANGLE	120°
IP RATING	Suitable for wet locations
DIMMABLE	Triac dimming
POWER FACTOR	>0.9
OPERATING TEMP.	14°F ~ 122°F (-10°C ~ 50°C)
LIFESPAN	50,000 hrs (Based on 3 hrs/day)
WARRANTY	5 year limited

**CONSTRUCTION**

High quality aluminum and PC housing material with architectural white finish. Standard gasket included to ensure proper seal. J-box installations or recessed housings.

**ELECTRICAL**

Luminaire is built with the highest quality 120V drivers, ensuring energy efficiency.

**ENERGY SAVINGS**

80% more energy savings than halogen lamps. Low heat production requires less air-conditioning requirements, further increasing energy cost savings.

**DIMMING**

Triac dimmable down to 10%. Compatible with most major brands of dimmers.

**LISTING**

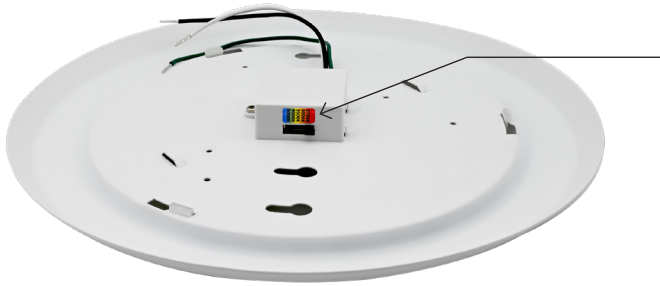
ETL Listed, FCC, RoHS, CE & Energy Star Listed



**ORDERING SAMPLE: PT-DDL2-8I-18W-5CCT**

Series	Watts	Lumens	Lms/Watt	CCT	CRI	Voltage
PT-DDL2-8I-18W-5CCT	18W	up to 1356	up to 75	2700K/3000K/3500K/4000K/5000K	90	120V

Catalog Number:	Project Name:	Note:	Date:	Type:
-----------------	---------------	-------	-------	-------



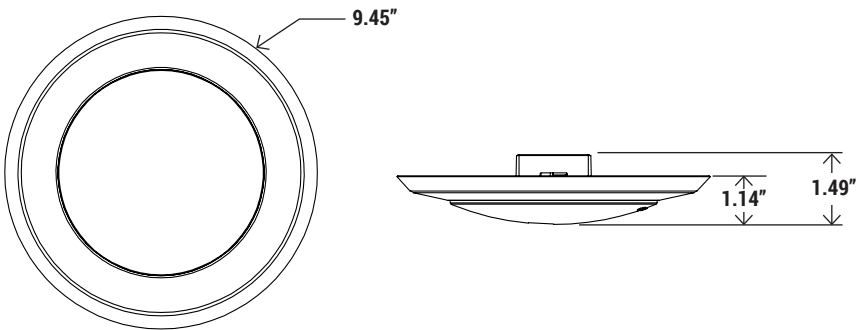
Easily flip the switch for desired CCT



QTY/CARTON  
**24**  
PIECES

- Torsion springs included for 5" / 6" housing installation
- Fits most J-box and recessed housings
- Sealing gasket standard

**DIMENSION**

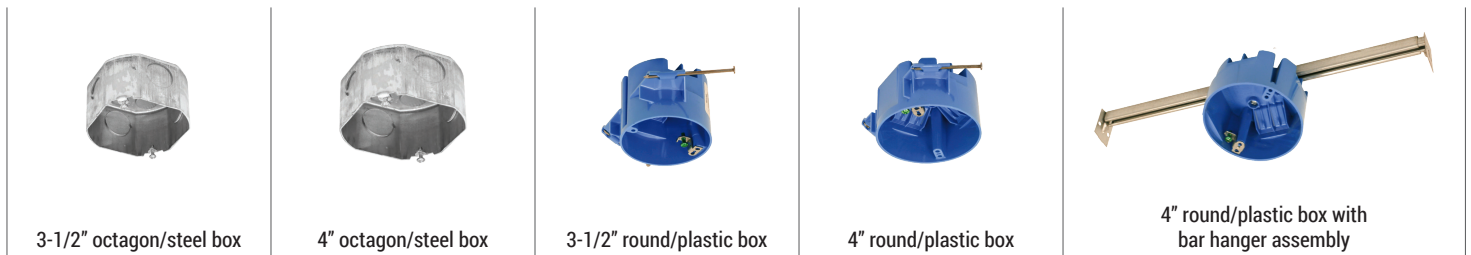


**COMPATIBLE DIMMERS**

LUTRON
• PD-6WCL
• DVCL-153P
• CTCL-153P
• MACL-153M
• TGCL-153P
LEVITON
• 6681
• 6672

**MOUNTING OPTION**

The junction boxes listed below are meant to be a reference list only. Junction box sizes may vary. It is the responsibility of the individual performing the installation to confirm that the fixture can properly and safely work with any junction box.



(For through circuit wiring applications, recommended j-box size is 2-1/8" deep)