

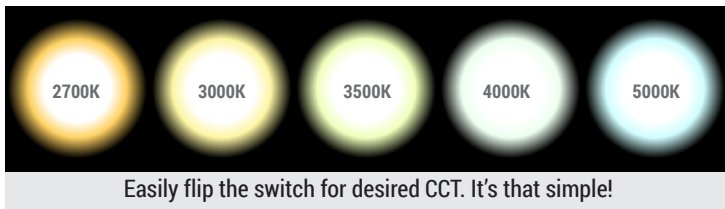
Catalog Number:	Project Name:	Note:	Date:	Type:
-----------------	---------------	-------	-------	-------

With CCT selector technology, and 30° tilting/360° rotating capability, Portor's second generation 3" gimbal downlights make accent, spot lighting, and wall washing so easy!

Gimbal downlights are ideal for both commercial and residential lighting, and are optimal for sloped ceilings, wall washing and general purpose lighting.



TUNABLE 5-1 CCT SELECTOR



NOMINAL WATTAGE	DELIVERED LUMENS	EFFICACY
8W	578 LM @ 2700K	up to 83 lm/W
	602 LM @ 3000K	
	642 LM @ 3500K	
	671 LM @ 4000K	
	628 LM @ 5000K	

Actual lumens may vary.

CONSTRUCTION

Aluminum die-cast body and trim with architectural white finish. Designed for new construction, remodel or retrofit. Standard gasket included to ensure proper seal.

ELECTRICAL

Luminaire is built with the highest quality 120V drivers, ensuring energy efficiency.

ENERGY SAVINGS

80% more energy savings than fluorescent lamps. Low heat production requires less air-conditioning requirements, further increasing energy cost savings.

DIMMING

100%-10% dimming capability, this fixture is compatible with industry standard TRIAC/ELV dimmers.

LISTING

Energy Star Listed , ETL Listed, RoHS

TECHNICAL SPECIFICATION

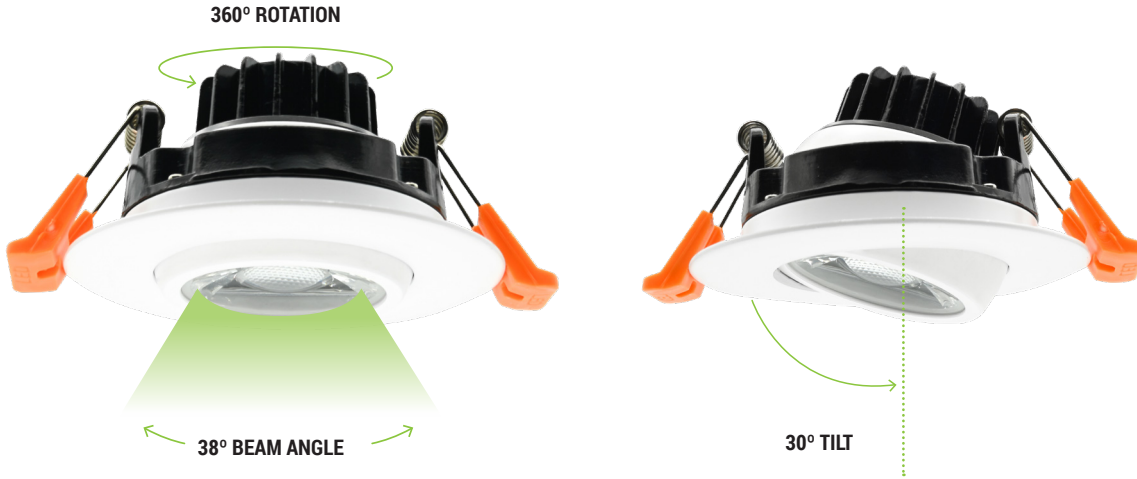
VOLTAGE	120V, 50/60Hz
CRI	90
CCT	2700K 3000K 3500K 4000K 5000K
BEAM ANGLE	38°
IP RATING	Suitable for wet locations
DIMMABLE	Triac dimming
POWER FACTOR	>0.9
OPERATING TEMP.	14°F ~ 104°F (-10°C ~ 50°C)
LIFESPAN	50,000 hrs (Based on 3 hrs/day)
WARRANTY	5 year limited



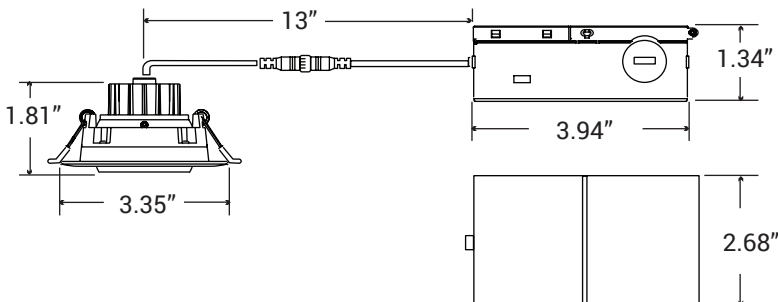
ORDERING SAMPLE: PT-DLG2-R-3I-8W-5CCT

Series	Watts	Lumens	Lms/Watt	CCT	CRI	Voltage
PT-DLG2-R-3I-8W-5CCT	8W	671 @4000K	up to 83	2700K/3000K/3500K/4000K/5000K	90	120V

Catalog Number:	Project Name:	Note:	Date:	Type:
-----------------	---------------	-------	-------	-------



DIMENSION



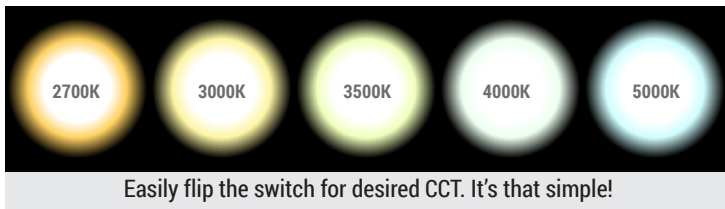
Catalog Number:	Project Name:	Note:	Date:	Type:
-----------------	---------------	-------	-------	-------

With CCT selector technology, and 30° tilting/360° rotating capability, Portor's second generation 4" gimbal downlights make accent, spot lighting, and wall washing so easy!

Gimbal downlights are ideal for both commercial and residential lighting, and are optimal for sloped ceilings, wall washing and general purpose lighting.



TUNABLE 5-1 CCT SELECTOR



NOMINAL WATTAGE	DELIVERED LUMENS	EFFICACY
12W	821 LM @ 2700K	up to 76 lm/W
	864 LM @ 3000K	
	898 LM @ 3500K	
	912 LM @ 4000K	
	868 LM @ 5000K	

Actual lumens may vary.

CONSTRUCTION

Aluminum die-cast body and trim with architectural white finish. Designed for new construction, remodel or retrofit. Standard gasket included to ensure proper seal.

ELECTRICAL

Luminaire is built with the highest quality 120V drivers, ensuring energy efficiency.

ENERGY SAVINGS

80% more energy savings than fluorescent lamps. Low heat production requires less air-conditioning requirements, further increasing energy cost savings.

DIMMING

100%-10% dimming capability, this fixture is compatible with industry standard TRIAC/ELV dimmers.

LISTING

Energy Star Listed , ETL Listed, RoHS

TECHNICAL SPECIFICATION

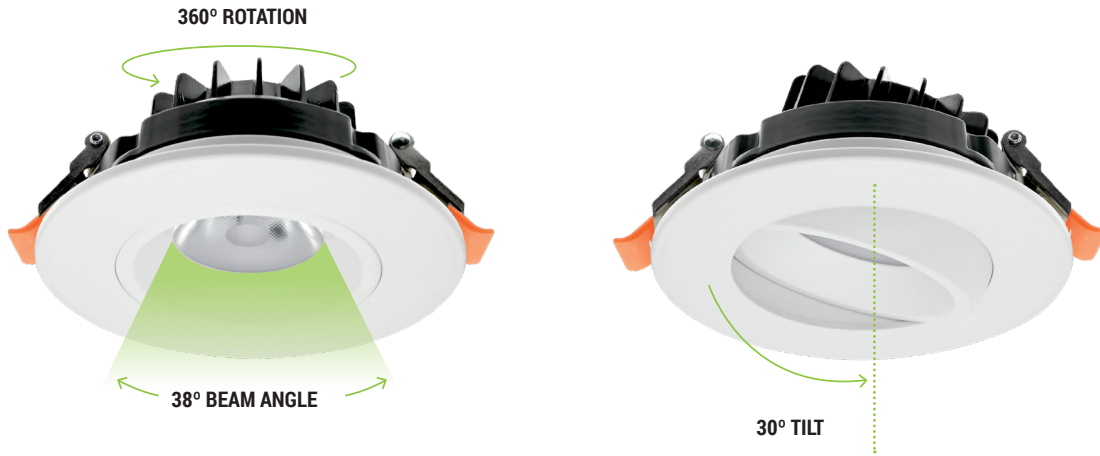
VOLTAGE	120V, 50/60Hz
CRI	90
CCT	2700K 3000K 3500K 4000K 5000K
BEAM ANGLE	38°
IP RATING	Suitable for wet locations
DIMMABLE	Triac dimming
POWER FACTOR	>0.9
OPERATING TEMP.	14°F ~ 104°F (-10°C ~ 50°C)
LIFESPAN	50,000 hrs (Based on 3 hrs/day)
WARRANTY	5 year limited



ORDERING SAMPLE: PT-DLG2-R-4I-12W-5CCT

Series	Watts	Lumens	Lms/Watt	CCT	CRI	Voltage
PT-DLG2-R-4I-12W-5CCT	12W	912 @4000K	up to 76	2700K/3000K/3500K/4000K/5000K	90	120V

Catalog Number:	Project Name:	Note:	Date:	Type:
-----------------	---------------	-------	-------	-------



DIMENSION

