

Catalog Number:	Project Name:	Note:	Date:	Type:
-----------------	---------------	-------	-------	-------

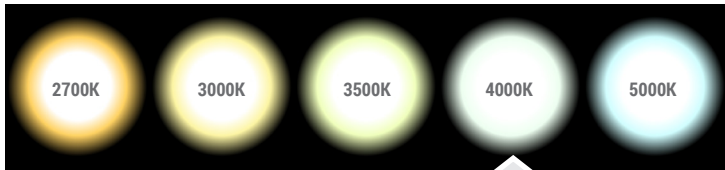
BAFFLE FINISH

Portor's recessed downlight with integrated junction box, makes installation quick and easy. No recessed housing or junction box required. Available in 4" and featuring color selectable technology that lets the user choose between 2700K, 3000K, 3500K, 4000K, or 5000K.

Ideal use for residential housings, high-rise condominiums, the healthcare industry, universities/campuses, shopping centers and hospitality.



CCT SELECTOR



Easily flip the switch for desired CCT. It's that simple!

NOMINAL WATTAGE	DELIVERED LUMENS	EFFICACY
10W	689 LM @ 2700K	up to 82 lm/W
	753 LM @ 3000K	
	837 LM @ 3500K	
	820 LM @ 4000K	
	794 LM @ 5000K	

Actual lumens may vary.

CONSTRUCTION

PC driver housing and aluminum baffle trim with architectural white finish. Standard gasket included to ensure proper seal.

ELECTRICAL

Luminaire is built with the highest quality 120V drivers, ensuring energy efficiency.

ENERGY SAVINGS

80% more energy savings than traditional lamps. Low heat production requires less air-conditioning requirements, further increasing energy cost savings.

DIMMING

Triac dimmable down to 5%. Compatible with most major brands of dimmers.

LISTING

ETL Listed, FCC, RoHS, CE & Energy Star Listed

TECHNICAL SPECIFICATION

VOLTAGE	120V
POWER FREQUENCY	60 Hz
CRI	90
CCT	2700K 3000K 3500K 4000K 5000K
BEAM ANGLE	100°
IP RATING	Suitable for wet locations
DIMMABLE	Triac dimming
POWER FACTOR	>0.9
OPERATING TEMP.	-4°F ~ 113°F (-20°C ~ 45°C)
WARRANTY	5 year limited



ORDERING SAMPLE: PT-DLJ-B-4I-10W-5CCT

Series	Style	Aperture	Wattage	CCT (Selectable)	Finished	*Options/Accessories	
PT-DLJ Downlight with Junction Box	B (Baffle)	4I (4")	10W	5CCT (2700K / 3000K / 3500K / 4000K / 5000K)	White (Standard)	EM Battery	Mounting
						Blank (no EM) PT-EMG-25W	Blank (no option) UNI-DLS RP-DLS-4I

Catalog Number:	Project Name:	Note:	Date:	Type:
-----------------	---------------	-------	-------	-------

Direct Mounting

NO RECESSED HOUSING NEEDED

• For Retrofit or New Construction Installation •

These spring-action clips push up easily and fit securely for both retrofit and new construction installations.

Sealing gasket standard



2700K | 3000K | 3500K | 4000K | 5000K

Change color temperature with the simple flip of a switch

QTY/CARTON

24

PIECES

MOUNTING OPTIONS

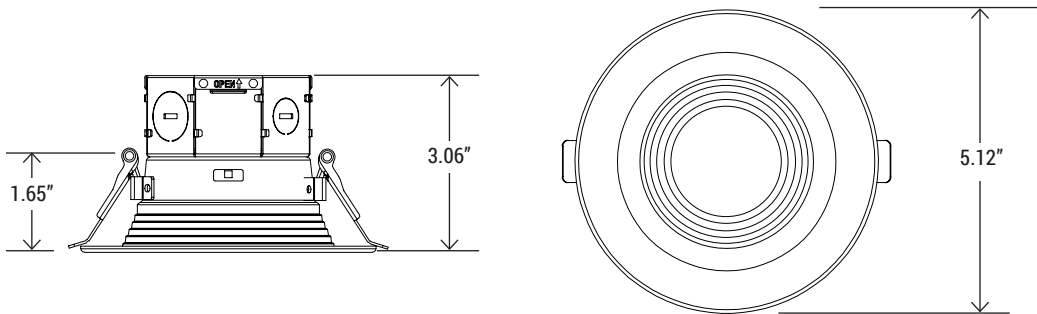


UNI-DLS
4" / 6" Universal Housing
for New Construction



RP-DLS-4I
4" Rough plate

DIMENSION



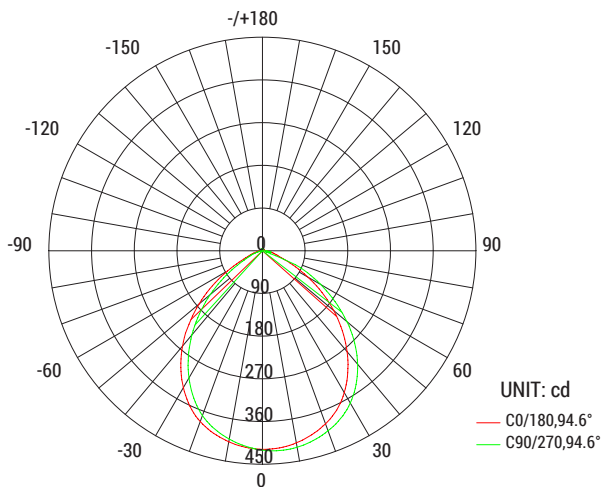
EM OPTION



PT-EMG-25W
Universal Voltage
LED Emergency Back-up Driver

PHOTOMETRY

For complete IES files, please visit our website.



Average Beam Angle (50%): 94.6

COMPATIBLE DIMMERS

LUTRON	LEVITON
<ul style="list-style-type: none"> • TG-600PR-WH • S-600PR-WH • CTCL-153PDH-WH • SCL-153PH-WH • GT-600P • DVCL-153P • TGCL-153PH-LA • SLV-600P-AL • DV-600PR-WH • RNL06 • MSCL-OP153M • IPL06 • MACL-153M//MA-R 	<ul style="list-style-type: none"> • 6672 • 6674 • DSL06 • PD-6WCL

Catalog Number:	Project Name:	Note:	Date:	Type:
-----------------	---------------	-------	-------	-------

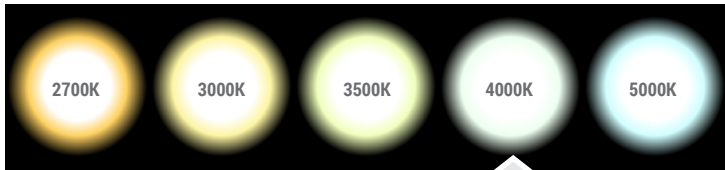
BAFFLE FINISH

Portor's recessed downlight with integrated junction box, makes installation quick and easy. No recessed housing or junction box required. Available in 6" and featuring color selectable technology that lets the user choose between 2700K, 3000K, 3500K, 4000K, or 5000K.

Ideal use for residential housings, high-rise condominiums, the healthcare industry, universities/campuses, shopping centers and hospitality.



CCT SELECTOR



Easily flip the switch for desired CCT. It's that simple!

NOMINAL WATTAGE	DELIVERED LUMENS	EFFICACY
15W	932 LM @ 2700K	up to 73 lm/W
	1004 LM @ 3000K	
	1135 LM @ 3500K	
	1103 LM @ 4000K	
	1028 LM @ 5000K	

Actual lumens may vary.

CONSTRUCTION

PC driver housing and aluminum baffle trim with architectural white finish. Standard gasket included to ensure proper seal.

ELECTRICAL

Luminaire is built with the highest quality 120V drivers, ensuring energy efficiency.

ENERGY SAVINGS

80% more energy savings than traditional lamps. Low heat production requires less air-conditioning requirements, further increasing energy cost savings.

DIMMING

Triac dimmable down to 5%. Compatible with most major brands of dimmers.

LISTING

ETL Listed, FCC, RoHS, CE & Energy Star Listed

TECHNICAL SPECIFICATION

VOLTAGE	120V
POWER FREQUENCY	60 Hz
CRI	90
CCT	2700K 3000K 3500K 4000K 5000K
BEAM ANGLE	100°
IP RATING	Suitable for wet locations
DIMMABLE	Triac dimming
POWER FACTOR	>0.9
OPERATING TEMP.	-4°F ~ 113°F (-20°C ~ 45°C)
WARRANTY	5 year limited



ORDERING SAMPLE: PT-DLJ-B-6I-15W-5CCT

Series	Style	Aperture	Wattage	CCT (Selectable)	Finished	*Options/Accessories
PT-DLJ Downlight with Junction Box	B (Baffle)	6I (6")	15W	5CCT (2700K / 3000K / 3500K / 4000K / 5000K)	White (Standard)	EM Battery
						Blank (no EM) PT-EMG-25W
						Mounting
						Blank (no option) UNI-DLS RP-DLS-4I

Catalog Number:	Project Name:	Note:	Date:	Type:
-----------------	---------------	-------	-------	-------

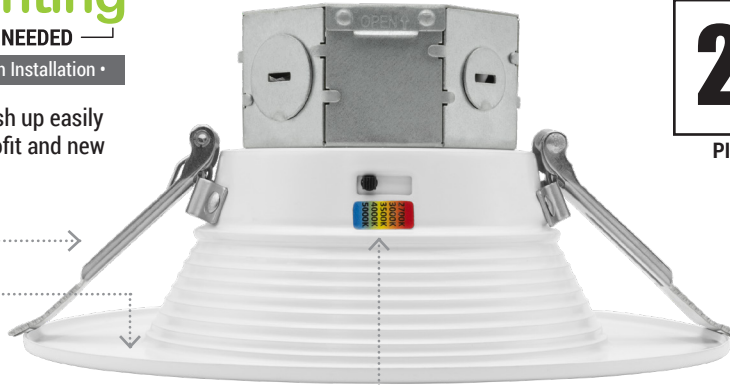
Direct Mounting

NO RECESSED HOUSING NEEDED

• For Retrofit or New Construction Installation •

These spring-action clips push up easily and fit securely for both retrofit and new construction installations.

Sealing gasket standard



2700K | 3000K | 3500K | 4000K | 5000K

Change color temperature with the simple flip of a switch

QTY/CARTON

24

PIECES

MOUNTING OPTIONS



UNI-DLS

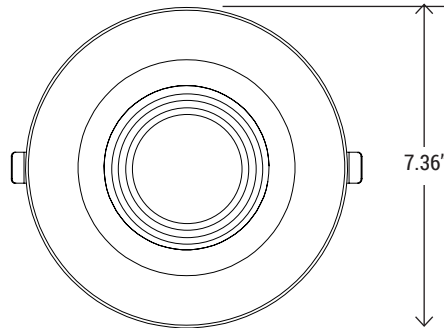
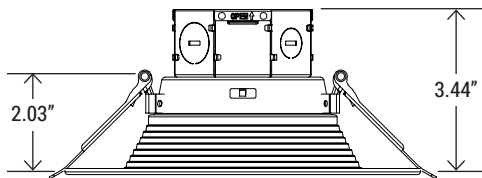
4 1/2" Universal Housing for New Construction



RP-DLS-6I

6" Rough plate

DIMENSION



EM OPTION

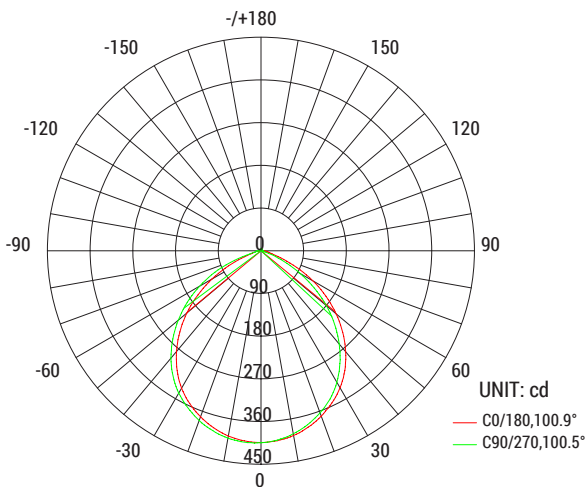


PT-EMG-25W

Universal Voltage LED Emergency Back-up Driver

PHOTOMETRY

For complete IES files, please visit our website.



Average Beam Angle (50%): 100.7

COMPATIBLE DIMMERS

LUTRON	LEVITON
<ul style="list-style-type: none"> • TG-600PR-WH • S-600PR-WH • CTCL-153PDH-WH • SCL-153PH-WH • GT-600P • DVCL-153P • TGCL-153PH-LA • SLV-600P-AL • DV-600PR-WH • RNL06 • MSCL-OP153M • IPL06 • MACL-153M//MA-R 	<ul style="list-style-type: none"> • 6672 • 6674 • DSL06 • PD-6WCL