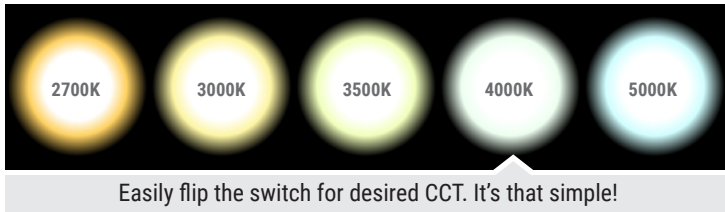


Project Name:	Notes:	Date:	Type:
---------------	--------	-------	-------

Portor's 2-hour fire-rated recessed downlight is an exceptional lighting solution designed to prioritize safety without compromising on aesthetics or functionality. This innovative fixture is engineered to withstand the rigors of a fire for up to two hours, making it an essential choice for commercial and residential applications where fire protection is paramount.

Ideal for soffits, drop ceilings, closets, attics, hallways, bathrooms, kitchens, basements, entry ways, porches (covered ceiling only), garages, stairwells, corridors, nursing/retirement homes, condos, elevators, apartments, and any other small areas with limited space.



FEATURES

- 2-Hour fire rating providing a reinforced and heat resistant steel casing
- LED technology fits anywhere you need general light source
- IC rated for direct contact with insulation
- Perfect solution where joists or duct work would normally prevent recessed installation
- Wet location rated for soffit applications
- Easy installation, no housing required

DIMMING

Triac dimmable down to 100%-10%.
Compatible with most major brands of dimmers.

LISTING

ETL Listed, SGS, Wet location, Energy Star Listed



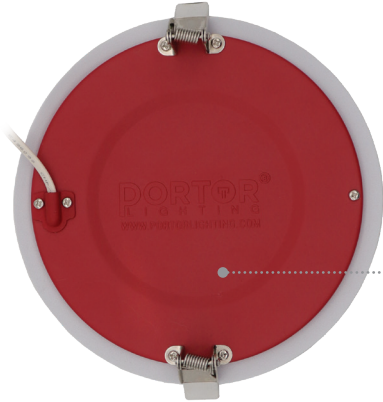
WATTAGE	DELIVERED LUMENS	EFFICACY
12W	792 @ 2700K	up to 72 lm/W
	826 @ 3000K	
	869 @ 3500K	
	875 @ 4000K	
	840 @ 5000K	

TECHNICAL SPECIFICATION

WATTAGE	12W
VOLTAGE	120V, 60 Hz
CCT	27K/30K/35K/40K/50K
CRI	90
BEAM ANGLE	120°
RATING	Suitable for wet locations
DIMMABLE	Triac dimming
POWER FACTOR	>0.9
OPERATING TEMP	-4°F~104°F (20~40°C)
WARRANTY	5 year limited

MODEL NUMBER(S)						
MODEL#	WATTS	LUMENS	LM/WATT	CCT	CRI	VOLTAGE
PT-DLS-R-FR-4I-12W-5CCT	12W	875 (at 4000K)	72	2700K/3000K/3500K/ 4000K/5000K	90	120V

Project Name:	Notes:	Date:	Type:
---------------	--------	-------	-------



• Sealing gasket standard



PROVIDING A REINFORCED AND HEAT RESISTANT STEEL CASING

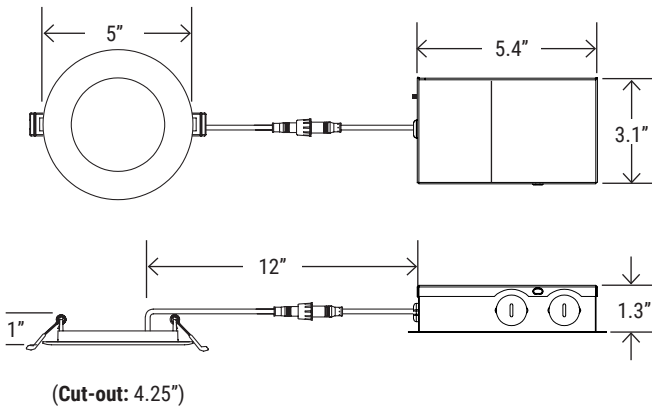
Tested to comply with UL 263, ASTM E119 & CAN ULC S101



2700K | 3000K | 3500K | 4000K | 5000K

Change color temperature with the simple flip of a switch

DIMENSION



MOUNTING OPTIONS



UNI-DLS
4"/6" Universal Slim LED Housing for New Construction



RP-DLS-4I
4" Slim LED Rough plate

COMPATIBLE DIMMERS

LUTRON*	LEVITON*	LEGRAND
<ul style="list-style-type: none"> • CT-600P • DVLC-153P • MSCL-OP153M • PD-6WCL • MACL-153M/MA-R • TG-600PR-WH • S-600PR-WH • CTCL-153PDH-WH • TGCL-153PH-LA • SLV-600P-AL • DV-600PR-WH • SCL-153PH-WH 	<ul style="list-style-type: none"> • RNL06 • 6672 • 6674 • IPL06 • DLS06 • SELV-300P-WH • VP106-1LZ 	<ul style="list-style-type: none"> • ADTP70TU

*For more details, please visit company's website

CERTIFICATE OF COMPLIANCE

Certificate Number: SGSNA/24/SD/00001

Contract Number: 802615
Certificate Project Number: GZ-CERT231002987

Certified Product: LED Downlight
Trademarks: -
Model(s): PT-DLS-R-FR-3I-8W-5CCT-**, PT-DLS-R-FR-4I-12W-5CCT-**, PT-DLS-R-FR-6I-15W-5CCT-**
(Where ** can be any letters or numbers that denote different color finish.)
Technical Data: 120 V; Classified for fire resistance: 2 Hours Fire Rating.

Certificate Holder: Portor Industry Inc.
540 N Loop Dr Ontario, CA 91761, United States of America

This certificate supercedes previous certificates issued with the same certificate number. Certification is valid when products are indicated on the SGS directory of certified products at www.sgs.com or using the QR code below. The product is certified according to ISO/IEC Guide 17067, Conformity assessment - Fundamentals of product certification, System 3, and in accordance with:

UL 263, 14th Edition, Rev. March 14,2022

Authorized by:

Effective date: 15 March 2024



Jason Wei
Certifier



Certification Body

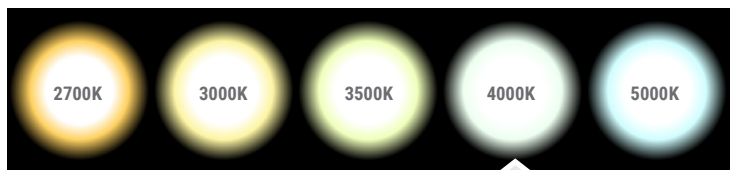
Connectivity & Products, a division of SGS North America Inc.
620 Old Peachtree Road, Ste. 100, Suwanee, GA 30024, USA
t +1 770 570 1800 f +1 770 277 1240 www.sgs.com



Project Name:	Notes:	Date:	Type:
---------------	--------	-------	-------

Portor's 2-hour fire-rated recessed downlight is an exceptional lighting solution designed to prioritize safety without compromising on aesthetics or functionality. This innovative fixture is engineered to withstand the rigors of a fire for up to two hours, making it an essential choice for commercial and residential applications where fire protection is paramount.

Ideal for soffits, drop ceilings, closets, attics, hallways, bathrooms, kitchens, basements, entry ways, porches (covered ceiling only), garages, stairwells, corridors, nursing/retirement homes, condos, elevators, apartments, and any other small areas with limited space.



Easily flip the switch for desired CCT. It's that simple!

FEATURES

- 2-Hour fire rating providing a reinforced and heat resistant steel casing
- LED technology fits anywhere you need general light source
- IC rated for direct contact with insulation
- Perfect solution where joists or duct work would normally prevent recessed installation
- Wet location rated for soffit applications
- Easy installation, no housing required

DIMMING

Triac dimmable down to 100%-10%.
Compatible with most major brands of dimmers.

LISTING

ETL Listed, SGS, Wet location, Energy Star Listed

WATTAGE	DELIVERED LUMENS	EFFICACY
15W	1104 @ 2700K	up to 74 lm/W
	1050 @ 3000K	
	1103 @ 3500K	
	1111 @ 4000K	
	1077 @ 5000K	

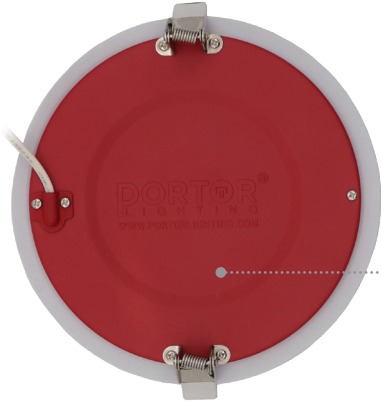
TECHNICAL SPECIFICATION

WATTAGE	15W
VOLTAGE	120V, 60 Hz
CCT	27K/30K/35K/40K/50K
CRI	90
BEAM ANGLE	120°
RATING	Suitable for wet locations
DIMMABLE	Triac dimming
POWER FACTOR	>0.9
OPERATING TEMP	-4°F~104°F (20~40°C)
WARRANTY	5 year limited



MODEL NUMBER(S)						
MODEL#	WATTS	LUMENS	LM/WATT	CCT	CRI	VOLTAGE
PT-DLS-R-FR-6I-15W-5CCT	15W	1111 (at 4000K)	74	2700K/3000K/3500K/ 4000K/5000K	90	120V

Project Name:	Notes:	Date:	Type:
---------------	--------	-------	-------



• Sealing gasket standard



PROVIDING A REINFORCED AND HEAT RESISTANT STEEL CASING

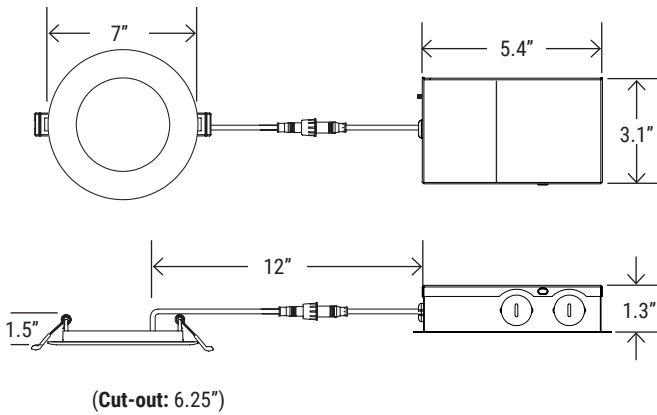
Tested to comply with UL 263, ASTM E119 & CAN ULC S101



2700K | 3000K | 3500K | 4000K | 5000K

Change color temperature with the simple flip of a switch

DIMENSION



MOUNTING OPTIONS



UNI-DLS
4"/6" Universal Slim LED Housing for New Construction



RP-DLS-6I
6" Slim LED Rough plate

COMPATIBLE DIMMERS

LUTRON*	LEVITON*	LEGRAND
<ul style="list-style-type: none"> • CT-600P • DVLC-153P • MSCL-OP153M • PD-6WCL • MACL-153M/MA-R • TG-600PR-WH • S-600PR-WH • CTCL-153PDH-WH • TGCL-153PH-LA • SLV-600P-AL • DV-600PR-WH • SCL-153PH-WH 	<ul style="list-style-type: none"> • RNL06 • 6672 • 6674 • IPL06 • DLS06 • SELV-300P-WH • VP106-1LZ 	<ul style="list-style-type: none"> • ADTP70TU

*For more details, please visit company's website

CERTIFICATE OF COMPLIANCE

Certificate Number: SGSNA/24/SD/00001

Contract Number: 802615
Certificate Project Number: GZ-CERT231002987

Certified Product: LED Downlight
Trademarks: -
Model(s): PT-DLS-R-FR-3I-8W-5CCT-**, PT-DLS-R-FR-4I-12W-5CCT-**, PT-DLS-R-FR-6I-15W-5CCT-**
(Where ** can be any letters or numbers that denote different color finish.)
Technical Data: 120 V; Classified for fire resistance: 2 Hours Fire Rating.

Certificate Holder: Portor Industry Inc.
540 N Loop Dr Ontario, CA 91761, United States of America

This certificate supercedes previous certificates issued with the same certificate number. Certification is valid when products are indicated on the SGS directory of certified products at www.sgs.com or using the QR code below. The product is certified according to ISO/IEC Guide 17067, Conformity assessment - Fundamentals of product certification, System 3, and in accordance with:

UL 263, 14th Edition, Rev. March 14,2022

Authorized by:

Effective date: 15 March 2024



Jason Wei
Certifier



Certification Body

Connectivity & Products, a division of SGS North America Inc.
620 Old Peachtree Road, Ste. 100, Suwanee, GA 30024, USA
t +1 770 570 1800 f +1 770 277 1240 www.sgs.com

