

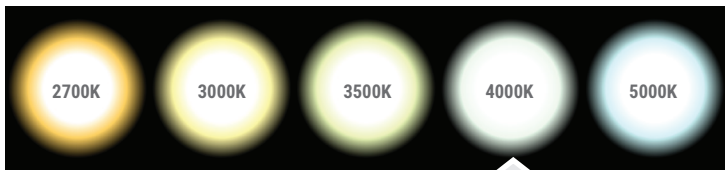
Project Name:	Notes:	Date:	Type:
---------------	--------	-------	-------

No can or housing needed! Install directly into ceilings with 2" clearance. Portor's slim round profile residential downlights are taking the market by storm! Available in 4" and featuring color tunable technology that lets the user choose between 2700K, 3000K, 3500K, 4000K, or 5000K.

Ideal for soffits, drop ceilings, closets, attics, hallways, bathrooms, kitchens, basements, entry ways, porches (covered ceiling only), garages, stairwells, corridors, nursing/retirement homes, condos, elevators, apartments, and any other small areas with limited space.



TUNABLE 5-1 CCT SELECTOR



Easily flip the switch for desired CCT. It's that simple!

FEATURES

- Edge-lit technology, with no glare or dark spots
- Instant-on
- Ultra slim design, 1" thickness
- Integrated LED fixtures
- LED technology fits anywhere you need general light source
- IC rated for direct contact with insulation
- Perfect solution where joists or duct work would normally prevent recessed installation
- Wet location rated for soffit applications
- Install J-Box in ceiling beam, and insert light right into drywall opening
- For emergency option, consult factory

DIMMING

- Triac dimmable down to 10%.
- Compatible with most major brands of dimmers.

LISTING

ETL Listed, FCC, RoHS, CE & Energy Star Listed



WATTAGE	DELIVERED LUMENS	EFFICACY
9W	597 @ 2700K	66 lm/W
	630 @ 3000K	70 lm/W
	660 @ 3500K	73 lm/W
	663 @ 4000K	74 lm/W
	650 @ 5000K	72 lm/W

TECHNICAL SPECIFICATION

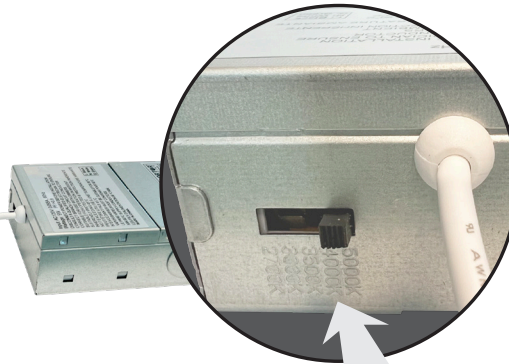
WATTAGE	9W
VOLTAGE	120V-277V
POWER FREQUENCY	50/60 Hz
CCT	2700K 3000K 3500K 4000K 5000K
CRI	90
BEAM ANGLE	100°
RATING	Suitable for Wet locations
DIMMABLE	Triac dimming
POWER FACTOR	>0.9
WARRANTY	5 year limited

MODEL NUMBER(S)						
MODEL#	WATTS	LUMENS	LM/WATT	CCT	CRI	VOLTAGE
PT-DLS2-R-4I-9W-5CCT-277	9W	663 (at 4000K)	74	2700K/3000K/3500K/ 4000K/5000K	90	120V-277V

Project Name:	Notes:	Date:	Type:
---------------	--------	-------	-------



• Sealing gasket standard



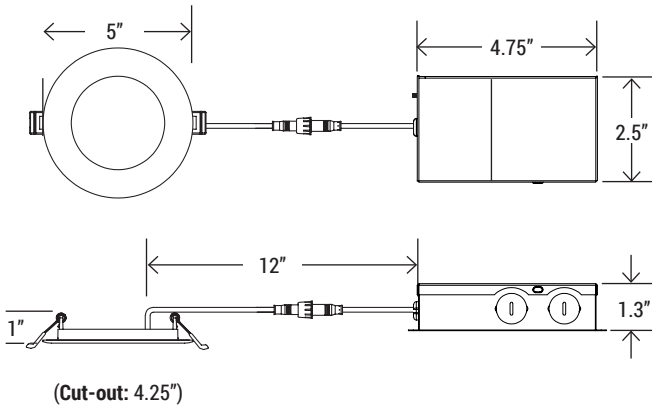
Easily flip the switch for desired CCT

QTY/CARTON

24

PIECES

DIMENSION



MOUNTING OPTIONS



UNI-DLS
4"/6" Universal Slim LED
Housing for New Construction



RP-DLS-4I
4" Slim LED Rough plate

COMPATIBLE DIMMERS

LUTRON*	LEVITON*	LEGRAND
<ul style="list-style-type: none"> • CT-600P • DVLC-153P • MSCL-OP153M • PD-6WCL • MACL-153M/MA-R • TG-600PR-WH • S-600PR-WH • CTCL-153PDH-WH • TGCL-153PH-LA • SLV-600P-AL • DV-600PR-WH • SCL-153PH-WH 	<ul style="list-style-type: none"> • RNL06 • 6672 • 6674 • IPL06 • DLS06 • SELV-300P-WH • VP106-1LZ 	<ul style="list-style-type: none"> • ADTP70TU

*For more details, please visit company's website

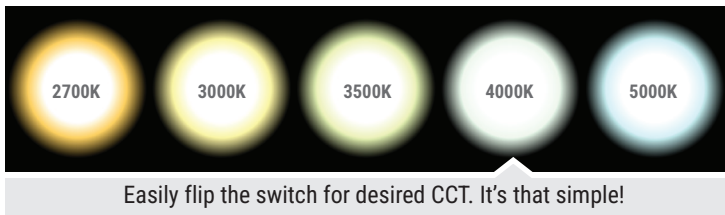
Project Name:	Notes:	Date:	Type:
---------------	--------	-------	-------

No can or housing needed! Install directly into ceilings with 2" clearance. Portor's slim round profile residential downlights are taking the market by storm! Available in 4" and featuring color tunable technology that lets the user choose between 2700K, 3000K, 3500K, 4000K, or 5000K.

Ideal for soffits, drop ceilings, closets, attics, hallways, bathrooms, kitchens, basements, entry ways, porches (covered ceiling only), garages, stairwells, corridors, nursing/retirement homes, condos, elevators, apartments, and any other small areas with limited space.



TUNABLE 5-1 CCT SELECTOR



FEATURES

- Edge-lit technology, with no glare or dark spots
- Instant-on
- Ultra slim design, 1" thickness
- Integrated LED fixtures
- LED technology fits anywhere you need general light source
- IC rated for direct contact with insulation
- Perfect solution where joists or duct work would normally prevent recessed installation
- Wet location rated for soffit applications
- Install J-Box in ceiling beam, and insert light right into drywall opening

DIMMING

Triac dimmable down to 100%-10%.
Compatible with most major brands of dimmers.

LISTING

ETL Listed, FCC, RoHS, CE & Energy Star Listed

WATTAGE	DELIVERED LUMENS	EFFICACY
9W	597 @ 2700K	66 lm/W
	630 @ 3000K	70 lm/W
	660 @ 3500K	73 lm/W
	663 @ 4000K	74 lm/W
	650 @ 5000K	72 lm/W

TECHNICAL SPECIFICATION

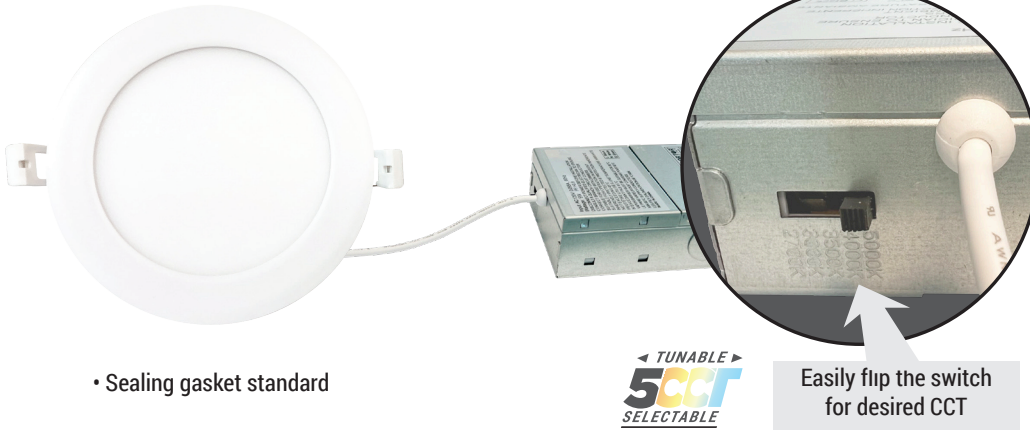
WATTAGE	9W
VOLTAGE	120V
POWER FREQUENCY	50/60 Hz
CCT	2700K/3000K/3500K/4000K/5000K
CRI	90
BEAM ANGLE	100°
RATING	Suitable for Wet locations
DIMMABLE	Triac dimming
POWER FACTOR	>0.9
WARRANTY	5 year limited



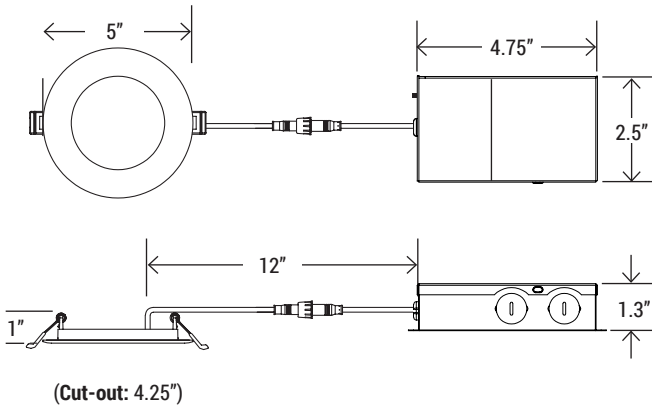
MODEL NUMBER(S)

MODEL#	WATTS	LUMENS	LM/WATT	CCT	CRI	VOLTAGE
PT-DLS2-R-4I-9W-5CCT	9W	663 (at 4000K)	74	2700K/3000K/3500K/ 4000K/5000K	90	120V
PT-DLS2-R-4I-9W-5CCT-BK	9W	663 (at 4000K)	74	2700K/3000K/3500K/ 4000K/5000K	90	120V

Project Name:	Notes:	Date:	Type:
---------------	--------	-------	-------



DIMENSION



MOUNTING OPTIONS



UNI-DLS
4"/6" Universal Slim LED
Housing for New Construction



RP-DLS-4I
4" Slim LED Rough plate

COMPATIBLE DIMMERS

LUTRON*	LEVITON*	LEGRAND
<ul style="list-style-type: none"> • CT-600P • DVLC-153P • MSCL-OP153M • PD-6WCL • MACL-153M/MA-R • TG-600PR-WH • S-600PR-WH • CTCL-153PDH-WH • TGCL-153PH-LA • SLV-600P-AL • DV-600PR-WH • SCL-153PH-WH 	<ul style="list-style-type: none"> • RNL06 • 6672 • 6674 • IPL06 • DLS06 • SELV-300P-WH • VP106-1LZ 	<ul style="list-style-type: none"> • ADTP70TU

*For more details, please visit company's website

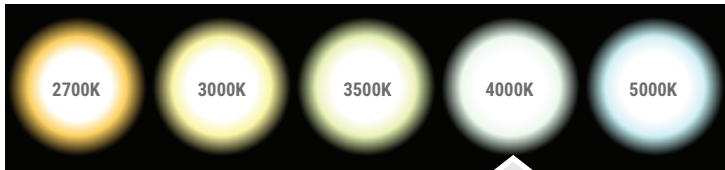
Project Name:	Notes:	Date:	Type:
---------------	--------	-------	-------

No can or housing needed! Install directly into ceilings with 2" clearance. Portor's slim round profile residential downlights are taking the market by storm! Available in 6" and featuring color tunable technology that lets the user choose between 2700K, 3000K, 3500K, 4000K, or 5000K.

Ideal for soffits, drop ceilings, closets, attics, hallways, bathrooms, kitchens, basements, entry ways, porches (covered ceiling only), garages, stairwells, corridors, nursing/retirement homes, condos, elevators, apartments, and any other small areas with limited space.



TUNABLE 5-1 CCT SELECTOR



Easily flip the switch for desired CCT. It's that simple!

FEATURES

- Edge-lit technology, with no glare or dark spots
- Instant-on
- Ultra slim design, 1" thickness
- Integrated LED fixtures
- LED technology fits anywhere you need general light source
- IC rated for direct contact with insulation
- Perfect solution where joists or duct work would normally prevent recessed installation
- Wet location rated for soffit applications
- Install J-Box in ceiling beam, and insert light right into drywall opening
- For emergency option, consult factory

DIMMING

- 0-10V dimmable
- Compatible with most major brands of dimmers.

LISTING

ETL Listed, FCC, RoHS, CE & Energy Star Listed



WATTAGE	DELIVERED LUMENS	EFFICACY
15W	975 @ 2700K	65 lm/W
	1050 @ 3000K	70 lm/W
	1125 @ 3500K	75 lm/W
	1200 @ 4000K	80 lm/W
	1125 @ 5000K	75 lm/W

TECHNICAL SPECIFICATION

WATTAGE	15W
VOLTAGE	120V -277V
POWER FREQUENCY	50/60 Hz
CCT	2700K 3000K 3500K 4000K 5000K
CRI	90
BEAM ANGLE	100°
RATING	Suitable for Wet locations
DIMMABLE	0-10V dimming
POWER FACTOR	>0.9
WARRANTY	5 year limited

MODEL NUMBER(S)						
MODEL#	WATTS	LUMENS	LM/WATT	CCT	CRI	VOLTAGE
PT-DLS2-R-6I-15W-5CCT-277	15W	1200 (at 4000K)	88	2700K/3000K/3500K/ 4000K/5000K	90	120V-277V

Project Name:	Notes:	Date:	Type:
---------------	--------	-------	-------



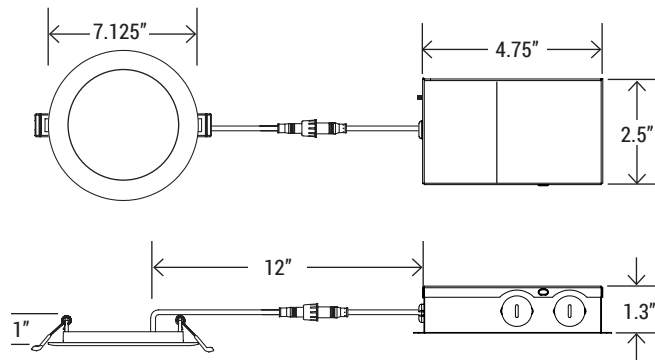
• Sealing gasket standard

QTY/CARTON

24

PIECES

DIMENSION



(Cut-out: 6.25")

MOUNTING OPTIONS



UNI-DLS
4"/6" Universal Slim LED
Housing for New Construction



RP-DLS-6I
6" Slim LED Rough plate

COMPATIBLE DIMMERS

LUTRON*	LEVITON*	LEGRAND
<ul style="list-style-type: none"> • CT-600P • DVLC-153P • MSCL-OP153M • PD-6WCL • MACL-153M/MA-R • TG-600PR-WH • S-600PR-WH • CTCL-153PDH-WH • TGCL-153PH-LA • SLV-600P-AL • DV-600PR-WH • SCL-153PH-WH 	<ul style="list-style-type: none"> • RNL06 • 6672 • 6674 • IPL06 • DLS06 • SELV-300P-WH • VP106-1LZ 	<ul style="list-style-type: none"> • ADTP70TU

*For more details, please visit company's website

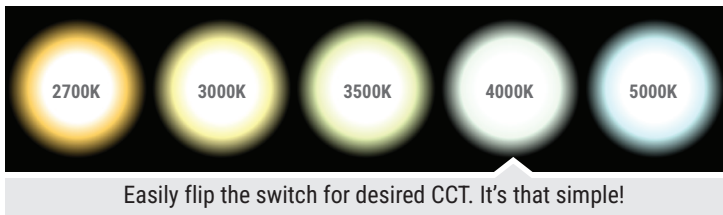
Project Name:	Notes:	Date:	Type:
---------------	--------	-------	-------

No can or housing needed! Install directly into ceilings with 2" clearance. Portor's slim round profile residential downlights are taking the market by storm! Available in 6" and featuring color tunable technology that lets the user choose between 2700K, 3000K, 3500K, 4000K, or 5000K.

Ideal for soffits, drop ceilings, closets, attics, hallways, bathrooms, kitchens, basements, entry ways, porches (covered ceiling only), garages, stairwells, corridors, nursing/retirement homes, condos, elevators, apartments, and any other small areas with limited space.



TUNABLE 5-1 CCT SELECTOR



FEATURES

- Edge-lit technology, with no glare or dark spots
- Instant-on
- Ultra slim design, 1" thickness
- Integrated LED fixtures
- LED technology fits anywhere you need general light source
- IC rated for direct contact with insulation
- Perfect solution where joists or duct work would normally prevent recessed installation
- Wet location rated for soffit applications
- Install J-Box in ceiling beam, and insert light right into drywall opening

DIMMING

Triac dimmable down to 100%-10%.
Compatible with most major brands of dimmers.

LISTING

ETL Listed, FCC, RoHS, CE & Energy Star Listed

WATTAGE	DELIVERED LUMENS	EFFICACY
15W	975 @ 2700K	65 lm/W
	1050 @ 3000K	70 lm/W
	1125 @ 3500K	75 lm/W
	1200 @ 4000K	80 lm/W
	1125 @ 5000K	75 lm/W

TECHNICAL SPECIFICATION

WATTAGE	15W
VOLTAGE	120V
POWER FREQUENCY	50/60 Hz
CCT	2700K/3000K/3500K/4000K/5000K
CRI	90
BEAM ANGLE	120°
RATING	Suitable for Wet locations
DIMMABLE	Triac dimming
POWER FACTOR	>0.9
WARRANTY	5 year limited



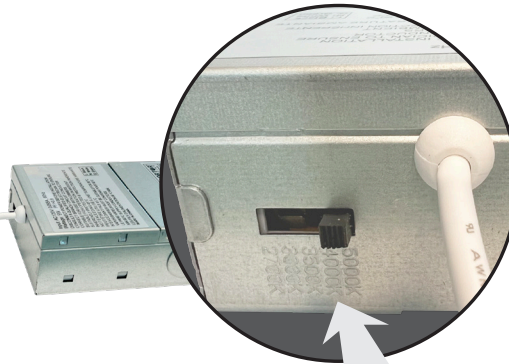
MODEL NUMBER(S)

MODEL#	WATTS	LUMENS	LM/WATT	CCT	CRI	VOLTAGE
PT-DLS2-R-6I-15W-5CCT	15W	1200 (at 4000K)	88	2700K/3000K/3500K/ 4000K/5000K	90	120V
PT-DLS2-R-6I-15W-5CCT-BK	15W	1200 (at 4000K)	88	2700K/3000K/3500K/ 4000K/5000K	90	120V

Project Name:	Notes:	Date:	Type:
---------------	--------	-------	-------



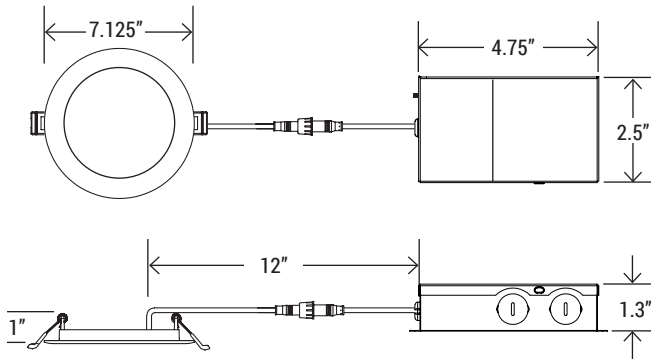
• Sealing gasket standard



◀ TUNABLE ▶
5CCT
SELECTABLE

Easily flip the switch
for desired CCT

DIMENSION



(Cut-out: 6.25")

MOUNTING OPTIONS



UNI-DLS
4"/6" Universal Slim LED
Housing for New Construction



RP-DLS-6I
6" Slim LED Rough plate

COMPATIBLE DIMMERS

LUTRON*	LEVITON*	LEGRAND
<ul style="list-style-type: none"> • CT-600P • DVLC-153P • MSCL-OP153M • PD-6WCL • MACL-153M/MA-R • TG-600PR-WH • S-600PR-WH • CTCL-153PDH-WH • TGCL-153PH-LA • SLV-600P-AL • DV-600PR-WH • SCL-153PH-WH 	<ul style="list-style-type: none"> • RNL06 • 6672 • 6674 • IPL06 • DLS06 • SELV-300P-WH • VP106-1LZ 	<ul style="list-style-type: none"> • ADTP70TU

*For more details, please visit company's website

Project Name:	Notes:	Date:	Type:
---------------	--------	-------	-------

No can or housing needed! Install directly into ceilings with 2" clearance. Portor's slim round profile residential downlights are taking the market by storm! Available in 8" and featuring color tunable technology that lets the user choose between 2700K, 3000K, 3500K, 4000K, or 5000K.

Ideal for soffits, drop ceilings, closets, attics, hallways, bathrooms, kitchens, basements, entry ways, porches (covered ceiling only), garages, stairwells, corridors, nursing/retirement homes, condos, elevators, apartments, and any other small areas with limited space.



FEATURES

- Edge-lit technology, with no glare or dark spots
- Instant-on
- Ultra slim design, 1" thickness
- Integrated LED fixtures
- LED technology fits anywhere you need general light source
- IC rated for direct contact with insulation
- Perfect solution where joists or duct work would normally prevent recessed installation
- Damp location rated for soffit applications
- Install J-Box in ceiling beam, and insert light right into drywall opening

DIMMING

Triac dimmable down to 100%-10%.
Compatible with most major brands of dimmers.

LISTING

ETL Listed, FCC, RoHS, CE & Energy Star Listed

WATTAGE	DELIVERED LUMENS	EFFICACY
18W	1442 @ 2700K	80 lm/W
	1488 @ 3000K	82 lm/W
	1504 @ 3500K	83 lm/W
	1474 @ 4000K	81 lm/W
	1409 @ 5000K	78 lm/W

TECHNICAL SPECIFICATION

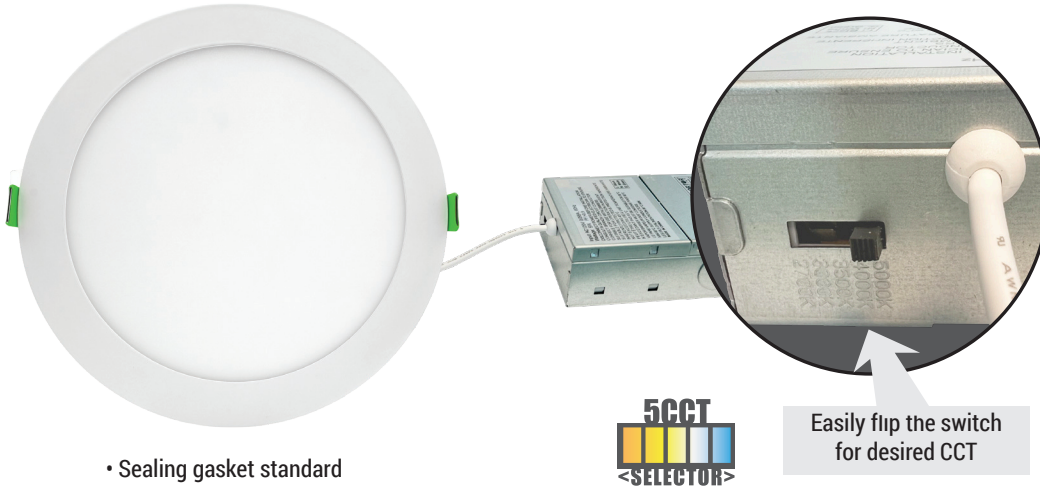
WATTAGE	18W
VOLTAGE	120V
POWER FREQUENCY	50/60 Hz
CCT	2700K/3000K/3500K/4000K/5000K
CRI	90
BEAM ANGLE	120°
RATING	Suitable for damp locations
DIMMABLE	Triac dimming
POWER FACTOR	>0.9
WARRANTY	5 year limited



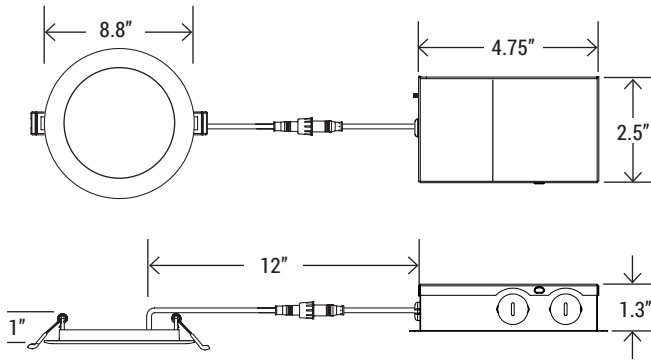
MODEL NUMBER(S)

MODEL#	WATTS	LUMENS	LM/WATT	CCT	CRI	VOLTAGE
PT-DLS2-R-8I-18W-5CCT	18W	1474 (at 4000K)	81	2700K/3000K/3500K/ 4000K/5000K	90	120V

Project Name:	Notes:	Date:	Type:
---------------	--------	-------	-------



DIMENSION



(Cut-out: 8")

MOUNTING OPTION



RP-DLS-8I
8" LED Rough plate

COMPATIBLE DIMMERS

LUTRON*	LEVITON*	LEGRAND
<ul style="list-style-type: none"> • CT-600P • DVLC-153P • MSCL-OP153M • PD-6WCL • MACL-153M/MA-R • TG-600PR-WH • S-600PR-WH • CTCL-153PDH-WH • TGCL-153PH-LA • SLV-600P-AL • DV-600PR-WH • SCL-153PH-WH 	<ul style="list-style-type: none"> • RNL06 • 6672 • 6674 • IPL06 • DLS06 • SELV-300P-WH • VP106-1LZ 	<ul style="list-style-type: none"> • ADTP70TU

*For more details, please visit company's website