

Project Name:	Notes:	Date:	Type:
---------------	--------	-------	-------

No can or housing needed! Install directly into ceilings with 2" clearance. Portor's slim square profile residential downlights are taking the market by storm! Available in 4" and featuring color tunable technology that lets the user choose between 2700K, 3000K, 3500K, 4000K, or 5000K.

Ideal for soffits, drop ceilings, closets, attics, hallways, bathrooms, kitchens, basements, entry ways, porches (covered ceiling only), garages, stairwells, corridors, nursing/retirement homes, condos, elevators, apartments, and any other small areas with limited space.



**FEATURES**

- Edge-lit technology, with no glare or dark spots
- Instant-on
- Ultra slim design, 1" thickness
- Integrated LED fixtures
- LED technology fits anywhere you need general light source
- IC rated for direct contact with insulation
- Perfect solution where joists or duct work would normally prevent recessed installation
- Damp location rated for soffit applications
- Install J-Box in ceiling beam, and insert light right into drywall opening

**DIMMING**

Triac dimmable down to 100%-10%.  
Compatible with most major brands of dimmers.

**LISTING**

ETL Listed, FCC, RoHS, CE & Energy Star Listed

WATTAGE	DELIVERED LUMENS	EFFICACY
9W	597 @ 2700K	66 lm/W
	630 @ 3000K	70 lm/W
	660 @ 3500K	73 lm/W
	663 @ 4000K	74 lm/W
	650 @ 5000K	72 lm/W

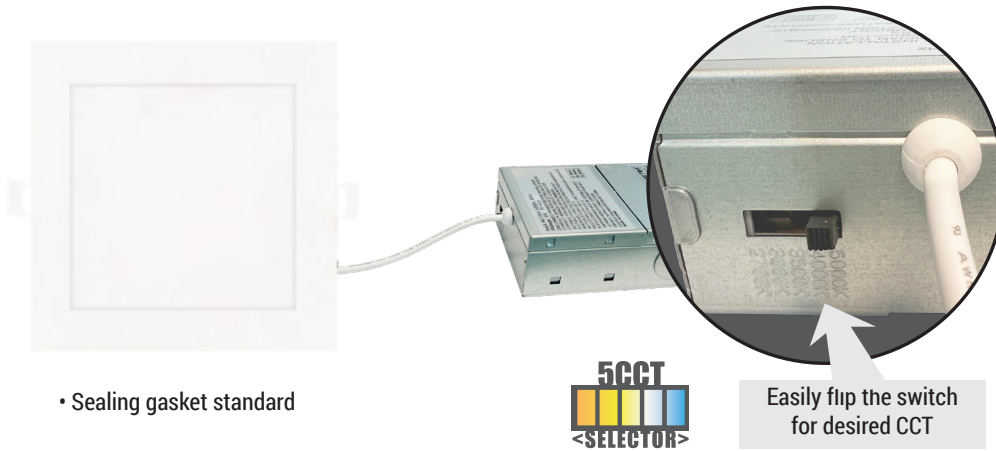
**TECHNICAL SPECIFICATION**

WATTAGE	12W
VOLTAGE	120V
POWER FREQUENCY	50/60 Hz
CCT	2700K/3000K/3500K/4000K/5000K
CRI	90
BEAM ANGLE	100°
RATING	Suitable for damp locations
DIMMABLE	Triac dimming
POWER FACTOR	>0.9
WARRANTY	5 year limited



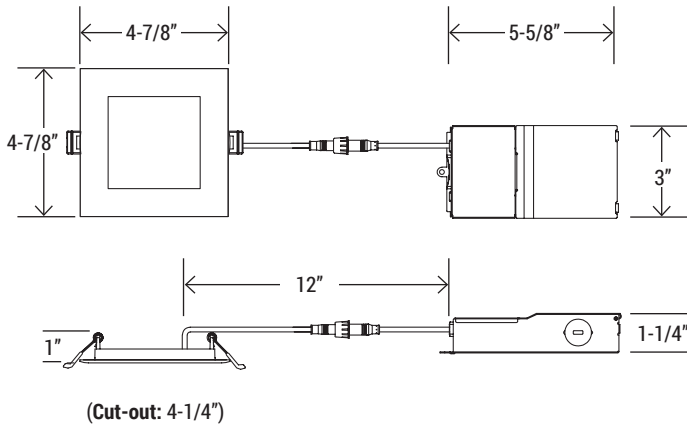
MODEL NUMBER(S)						
MODEL#	WATTS	LUMENS	LM/WATT	CCT	CRI	VOLTAGE
PT-DLS2-S-4I-9W-5CCT	9W	630 (at 4000K)	70	2700K/3000K/3500K/ 4000K/5000K	90	120V

Project Name:	Notes:	Date:	Type:
---------------	--------	-------	-------



• Sealing gasket standard

**DIMENSION**



**MOUNTING OPTIONS**



**UNI-DLS**  
4"/6" Universal Slim LED  
Housing for New Construction



**RP-DLS-4I**  
4" Slim LED Rough plate

**COMPATIBLE DIMMERS**

LUTRON*	LEVITON*	LEGRAND
<ul style="list-style-type: none"> <li>• CT-600P</li> <li>• DVLC-153P</li> <li>• MSCL-OP153M</li> <li>• PD-6WCL</li> <li>• MACL-153M/MA-R</li> <li>• TG-600PR-WH</li> <li>• S-600PR-WH</li> <li>• CTCL-153PDH-WH</li> <li>• TGCL-153PH-LA</li> <li>• SLV-600P-AL</li> <li>• DV-600PR-WH</li> <li>• SCL-153PH-WH</li> </ul>	<ul style="list-style-type: none"> <li>• RNL06</li> <li>• 6672</li> <li>• 6674</li> <li>• IPL06</li> <li>• DLS06</li> <li>• SELV-300P-WH</li> <li>• VP106-1LZ</li> </ul>	<ul style="list-style-type: none"> <li>• ADTP70TU</li> </ul>

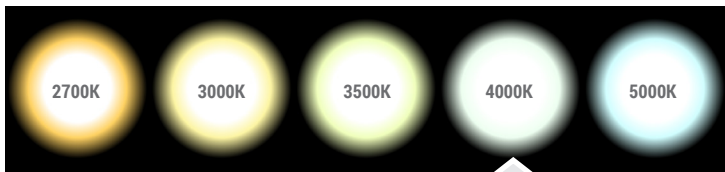
Project Name:	Notes:	Date:	Type:
---------------	--------	-------	-------

No can or housing needed! Install directly into ceilings with 2" clearance. Portor's slim square profile residential downlights are taking the market by storm! Available in 6" and featuring color tunable technology that lets the user choose between 2700K, 3000K, 3500K, 4000K, or 5000K.

Ideal for soffits, drop ceilings, closets, attics, hallways, bathrooms, kitchens, basements, entry ways, porches (covered ceiling only), garages, stairwells, corridors, nursing/retirement homes, condos, elevators, apartments, and any other small areas with limited space.



**TUNABLE 5-1 CCT SELECTOR**



Easily flip the switch for desired CCT. It's that simple!

**FEATURES**

- Edge-lit technology, with no glare or dark spots
- Instant-on
- Ultra slim design, 1" thickness
- Integrated LED fixtures
- LED technology fits anywhere you need general light source
- IC rated for direct contact with insulation
- Perfect solution where joists or duct work would normally prevent recessed installation
- Damp location rated for soffit applications
- Install J-Box in ceiling beam, and insert light right into drywall opening

**DIMMING**

Triac dimmable down to 100%-10%.  
Compatible with most major brands of dimmers.

**LISTING**

ETL Listed, FCC, RoHS, CE & Energy Star Listed

WATTAGE	DELIVERED LUMENS	EFFICACY
12W	921 @ 2700K	74 lm/W
	956 @ 3000K	80 lm/W
	979 @ 3500K	85 lm/W
	979 @ 4000K	85 lm/W
	1163 @ 5000K	84 lm/W

**TECHNICAL SPECIFICATION**

WATTAGE	12W
VOLTAGE	120V
POWER FREQUENCY	50/60 Hz
CCT	2700K/3000K/3500K/4000K/5000K
CRI	90
BEAM ANGLE	100°
RATING	Suitable for damp locations
DIMMABLE	Triac dimming
POWER FACTOR	>0.9
WARRANTY	5 year limited

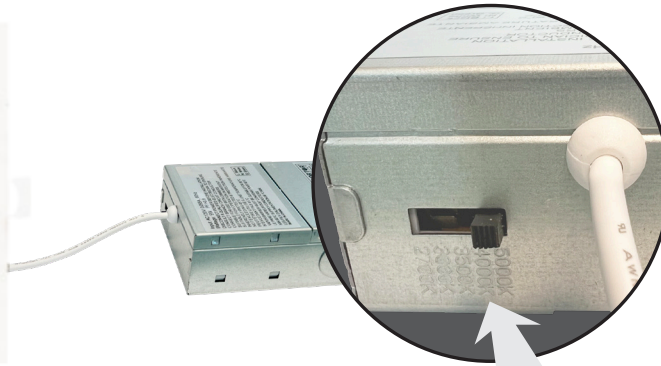


MODEL NUMBER(S)						
MODEL#	WATTS	LUMENS	LM/WATT	CCT	CRI	VOLTAGE
PT-DLS2-S-6I-12W-5CCT	12W	1163 (at 5000K)	84	2700K/3000K/3500K/ 4000K/5000K	90	120V

Project Name:	Notes:	Date:	Type:
---------------	--------	-------	-------



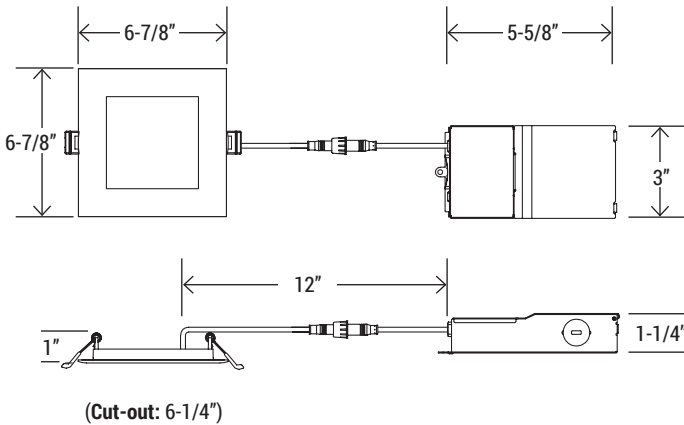
• Sealing gasket standard



◀ TUNABLE ▶  
**5CCT**  
SELECTABLE

Easily flip the switch  
for desired CCT

**DIMENSION**



**MOUNTING OPTIONS**



**UNI-DLS**  
4"/6" Universal Slim LED  
Housing for New Construction



**RP-DLS-6I**  
6" Slim LED Rough plate

**COMPATIBLE DIMMERS**

LUTRON*	LEVITON*	LEGRAND
<ul style="list-style-type: none"> <li>• CT-600P</li> <li>• DVLC-153P</li> <li>• MSCL-OP153M</li> <li>• PD-6WCL</li> <li>• MACL-153M/MA-R</li> <li>• TG-600PR-WH</li> <li>• S-600PR-WH</li> <li>• CTCL-153PDH-WH</li> <li>• TGCL-153PH-LA</li> <li>• SLV-600P-AL</li> <li>• DV-600PR-WH</li> <li>• SCL-153PH-WH</li> </ul>	<ul style="list-style-type: none"> <li>• RNL06</li> <li>• 6672</li> <li>• 6674</li> <li>• IPL06</li> <li>• DLS06</li> <li>• SELV-300P-WH</li> <li>• VP106-1LZ</li> </ul>	<ul style="list-style-type: none"> <li>• ADTP70TU</li> </ul>