

Project Name:	Notes:	Date:	Type:
---------------	--------	-------	-------

Portor's 2-hour fire-rated recessed baffle downlight is an exceptional lighting solution designed to prioritize safety without compromising on aesthetics or functionality. This innovative fixture is engineered to withstand the rigors of a fire for up to two hours, making it an essential choice for commercial and residential applications where fire protection is paramount.

Ideal for soffits, drop ceilings, closets, attics, hallways, bathrooms, kitchens, basements, entry ways, porches (covered ceiling only), garages, stairwells, corridors, nursing/retirement homes, condos, elevators, apartments, and any other small areas with limited space.



FEATURES

- 2-Hour fire rating providing a reinforced and heat resistant steel casing
- LED technology fits anywhere you need general light source
- IC rated for direct contact with insulation
- Perfect solution where joists or duct work would normally prevent recessed installation
- Wet location rated for soffit applications
- Easy installation, no housing required

DIMMING

Triac dimmable down to 100%-10%.
Compatible with most major brands of dimmers.

LISTING

ETL Listed, SGS, Wet location, Energy Star Listed

WATTAGE	DELIVERED LUMENS	EFFICACY
12W	817 @ 2700K	up to 89 lm/W
	934 @ 3000K	
	973 @ 3500K	
	977 @ 4000K	
	886 @ 5000K	

TECHNICAL SPECIFICATION

WATTAGE	12W
VOLTAGE	120V, 60 Hz
CCT	27K/30K/35K/40K/50K
CRI	90
BEAM ANGLE	120°
RATING	Suitable for wet locations
DIMMABLE	Triac dimming
POWER FACTOR	>0.9
OPERATING TEMP	-4°F~104°F (20~40°C)
WARRANTY	5 year limited



MODEL NUMBER(S)						
MODEL#	WATTS	LUMENS	LM/WATT	CCT	CRI	VOLTAGE
PT-DLSB-R-FR-4I-12W-5CCT	12W	977 (at 4000K)	up to 89	2700K/3000K/3500K/ 4000K/5000K	90	120V

Project Name:	Notes:	Date:	Type:
---------------	--------	-------	-------



• Sealing gasket standard



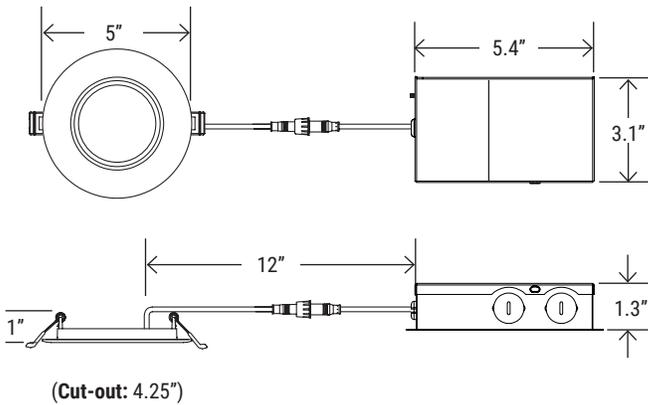
PROVIDING A REINFORCED AND HEAT RESISTANT STEEL CASING

Tested to comply with UL 263, ASTM E119 & CAN ULC S101



Change color temperature with the simple flip of a switch

DIMENSION



MOUNTING OPTIONS



UNI-DLS
4"/6" Universal Slim LED Housing for New Construction



RP-DLS-4I
4" Slim LED Rough plate

COMPATIBLE DIMMERS

LUTRON*	LEVITON*	LEGRAND
<ul style="list-style-type: none"> • CT-600P • DVLC-153P • MSCL-OP153M • PD-6WCL • MACL-153M/MA-R • TG-600PR-WH • S-600PR-WH • CTCL-153PDH-WH • TGCL-153PH-LA • SLV-600P-AL • DV-600PR-WH • SCL-153PH-WH 	<ul style="list-style-type: none"> • RNL06 • 6672 • 6674 • IPL06 • DLS06 • SELV-300P-WH • VP106-1LZ 	<ul style="list-style-type: none"> • ADTP70TU

*For more details, please visit company's website

Project Name:	Notes:	Date:	Type:
---------------	--------	-------	-------

Portor's 2-hour fire-rated recessed baffle downlight is an exceptional lighting solution designed to prioritize safety without compromising on aesthetics or functionality. This innovative fixture is engineered to withstand the rigors of a fire for up to two hours, making it an essential choice for commercial and residential applications where fire protection is paramount.

Ideal for soffits, drop ceilings, closets, attics, hallways, bathrooms, kitchens, basements, entry ways, porches (covered ceiling only), garages, stairwells, corridors, nursing/retirement homes, condos, elevators, apartments, and any other small areas with limited space.



FEATURES

- 2-Hour fire rating providing a reinforced and heat resistant steel casing
- LED technology fits anywhere you need general light source
- IC rated for direct contact with insulation
- Perfect solution where joists or duct work would normally prevent recessed installation
- Wet location rated for soffit applications
- Easy installation, no housing required

DIMMING

Triac dimmable down to 100%-10%.

Compatible with most major brands of dimmers.

LISTING

ETL Listed, SGS, Wet location, Energy Star Listed

WATTAGE	DELIVERED LUMENS	EFFICACY
15W	975 @ 2700K	up to 80 lm/W
	1018 @ 3000K	
	1065 @ 3500K	
	1080 @ 4000K	
	1057 @ 5000K	

TECHNICAL SPECIFICATION

WATTAGE	15W
VOLTAGE	120V, 60 Hz
CCT	27K/30K/35K/40K/50K
CRI	90
BEAM ANGLE	120°
RATING	Suitable for wet locations
DIMMABLE	Triac dimming
POWER FACTOR	>0.9
OPERATING TEMP	-4°F~104°F (20~40°C)
WARRANTY	5 year limited



MODEL NUMBER(S)						
MODEL#	WATTS	LUMENS	LM/WATT	CCT	CRI	VOLTAGE
PT-DLSB-R-FR-6I-15W-5CCT	15W	1080 (at 4000K)	80	2700K/3000K/3500K/ 4000K/5000K	90	120V

Project Name:	Notes:	Date:	Type:
---------------	--------	-------	-------



• Sealing gasket standard



PROVIDING A REINFORCED AND HEAT RESISTANT STEEL CASING

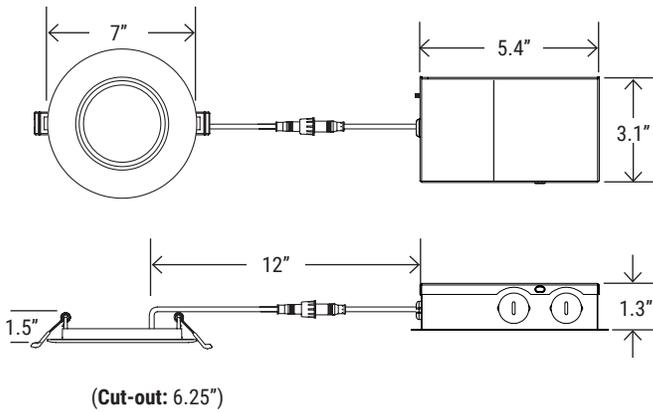
Tested to comply with UL 263, ASTM E119 & CAN ULC S101



2700K | 3000K | 3500K | 4000K | 5000K

Change color temperature with the simple flip of a switch

DIMENSION



MOUNTING OPTIONS



UNI-DLS
4"/6" Universal Slim LED Housing for New Construction



RP-DLS-6I
6" Slim LED Rough plate

COMPATIBLE DIMMERS

LUTRON*	LEVITON*	LEGRAND
<ul style="list-style-type: none"> • CT-600P • DVLC-153P • MSCL-OP153M • PD-6WCL • MACL-153M/MA-R • TG-600PR-WH • S-600PR-WH • CTCL-153PDH-WH • TGCL-153PH-LA • SLV-600P-AL • DV-600PR-WH • SCL-153PH-WH 	<ul style="list-style-type: none"> • RNL06 • 6672 • 6674 • IPL06 • DLS06 • SELV-300P-WH • VP106-1LZ 	<ul style="list-style-type: none"> • ADTP70TU

*For more details, please visit company's website