

Catalog Number:	Project Name:	Note:	Date:	Type:
-----------------	---------------	-------	-------	-------

The second generation slim baffle. Install directly into ceilings with 2" clearance. Portor's slim baffle profile residential downlights are taking the market by storm! Available in 4" and featuring color tunable technology that lets the user choose between 2700K, 3000K, 3500K, 4000K, or 5000K.

Ideal for soffits, drop ceilings, closets, attics, hallways, bathrooms, kitchens, basements, entry ways, porches (covered ceiling only), garages, stairwells, corridors, nursing/retirement homes, condos, elevators, apartments, and any other small areas with limited space.



**Baffle**

**FEATURES**

- Edge-lit technology, with no glare or dark spots
- Instant-on
- Ultra slim design, 1.25" thickness
- Integrated LED fixtures
- LED technology fits anywhere you need general light source
- IC rated for direct contact with insulation
- Perfect solution where joists or duct work would normally prevent recessed installation
- Damp location rated for soffit applications
- Install J-Box in ceiling beam, and insert light right into drywall opening

**DIMMING**

- Triac dimmable down to 10%.
- Compatible with most major brands of dimmers.

**LISTING**

ETL Listed, FCC, RoHS, CE & Energy Star Listed

WATTAGE	DELIVERED LUMENS	EFFICACY
9W	619 @ 2700K	up to 77 lm/W
	666 @ 3000K	
	699 @ 3500K	
	701 @ 4000K	
	661 @ 5000K	

*Actual lumens may vary.*

**TECHNICAL SPECIFICATION**

VOLTAGE	120V, 60Hz
CCT	2700K   3000K   3500K   4000K   5000K
CRI	90
BEAM ANGLE	120°
RATING	Suitable for wet locations
DIMMABLE	Triac dimming
POWER FACTOR	>0.99
WARRANTY	5 year limited



MODEL NUMBER(S)						
MODEL#	WATTS	LUMENS	LM/WATT	CCT	CRI	VOLTAGE
PT-DLSB2-R-4I-9W-5CCT	9W	701 (at 4000K)	77	2700K/3000K/3500K/ 4000K/5000K	90	120V

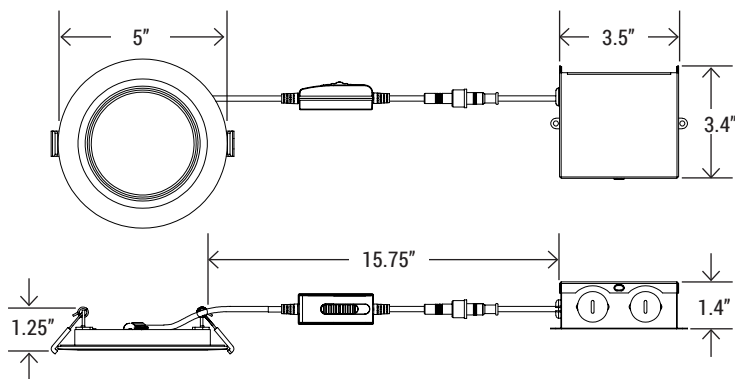
Catalog Number:	Project Name:	Note:	Date:	Type:
-----------------	---------------	-------	-------	-------



QTY/CARTON  
**24**  
PIECES

• Sealing gasket standard

**DIMENSION**



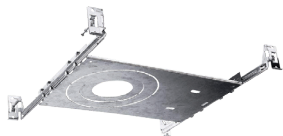
(Cut-out: 4.25")

**COMPATIBLE DIMMERS**

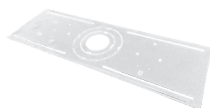
LUTRON*	LEVITON*
<ul style="list-style-type: none"> <li>• TG-600PR-WH</li> <li>• S-600PR-WH</li> <li>• CTCL-153PDH-WH</li> <li>• TGCL-153PH-LA</li> <li>• SLV-600P-AL</li> <li>• DV-600PR-WH</li> <li>• SLC-153PH-WH</li> <li>• GT-600P</li> <li>• DVCL-153P</li> <li>• RNL06</li> <li>• MSCL-OP153M</li> <li>• IPL06</li> </ul>	<ul style="list-style-type: none"> <li>• 6672</li> <li>• 6674</li> <li>• DSL06</li> <li>• PD-6WCL</li> </ul>

\*For more details, please visit company's website

**MOUNTING OPTIONS**



**UNI-DLS-R**  
4"/6" Universal Slim LED  
Housing for New Construction



**RP-UNI-R-46**  
4"/6" Universal Slim LED  
Rough Plate



**RP-DLS-4I**  
4" Slim LED Rough plate

Catalog Number:	Project Name:	Note:	Date:	Type:
-----------------	---------------	-------	-------	-------

The second generation slim baffle. Install directly into ceilings with 2" clearance. Portor's slim baffle profile residential downlights are taking the market by storm! Available in 6" and featuring color tunable technology that lets the user choose between 2700K, 3000K, 3500K, 4000K, or 5000K.

Ideal for soffits, drop ceilings, closets, attics, hallways, bathrooms, kitchens, basements, entry ways, porches (covered ceiling only), garages, stairwells, corridors, nursing/retirement homes, condos, elevators, apartments, and any other small areas with limited space.



**Baffle**

**FEATURES**

- Edge-lit technology, with no glare or dark spots
- Instant-on
- Ultra slim design, 1.25" thickness
- Integrated LED fixtures
- LED technology fits anywhere you need general light source
- IC rated for direct contact with insulation
- Perfect solution where joists or duct work would normally prevent recessed installation
- Damp location rated for soffit applications
- Install J-Box in ceiling beam, and insert light right into drywall opening

**DIMMING**

- Triac dimmable down to 10%.
- Compatible with most major brands of dimmers.

**LISTING**

ETL Listed, FCC, RoHS, CE & Energy Star Listed

WATTAGE	DELIVERED LUMENS	EFFICACY
12W	957 @ 2700K	up to 84 lm/W
	990 @ 3000K	
	999 @ 3500K	
	1010 @ 4000K	
	952 @ 5000K	

*Actual lumens may vary.*

**TECHNICAL SPECIFICATION**

VOLTAGE	120V, 60Hz
CCT	2700K   3000K   3500K   4000K   5000K
CRI	90
BEAM ANGLE	120°
RATING	Suitable for wet locations
DIMMABLE	Triac dimming
POWER FACTOR	>0.99
WARRANTY	5 year limited



MODEL NUMBER(S)						
MODEL#	WATTS	LUMENS	LM/WATT	CCT	CRI	VOLTAGE
PT-DLSB2-R-6I-12W-5CCT	12W	1010 (at 4000K)	82	2700K/3000K/3500K/ 4000K/5000K	9	120V

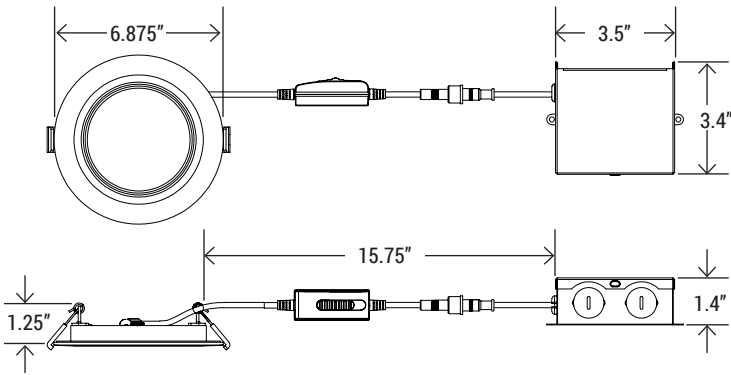
Catalog Number:	Project Name:	Note:	Date:	Type:
-----------------	---------------	-------	-------	-------



QTY/CARTON  
**24**  
PIECES

• Sealing gasket standard

**DIMENSION**



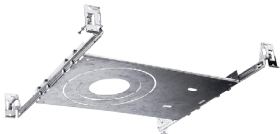
(Cut-out: 6.25")

**COMPATIBLE DIMMERS**

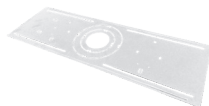
LUTRON*	LEVITON*
<ul style="list-style-type: none"> <li>• TG-600PR-WH</li> <li>• S-600PR-WH</li> <li>• CTCL-153PDH-WH</li> <li>• TGCL-153PH-LA</li> <li>• SLV-600P-AL</li> <li>• DV-600PR-WH</li> <li>• SLC-153PH-WH</li> <li>• GT-600P</li> <li>• DVCL-153P</li> <li>• RNL06</li> <li>• MSCL-OP153M</li> <li>• IPL06</li> </ul>	<ul style="list-style-type: none"> <li>• 6672</li> <li>• 6674</li> <li>• DSL06</li> <li>• PD-6WCL</li> </ul>

\*For more details, please visit company's website

**MOUNTING OPTIONS**



**UNI-DLS-R**  
4"/6" Universal Slim LED  
Housing for New Construction



**RP-UNI-R-46**  
4"/6" Universal Slim LED  
Rough Plate



**RP-DLS-R-6I**  
6" Slim LED Rough plate