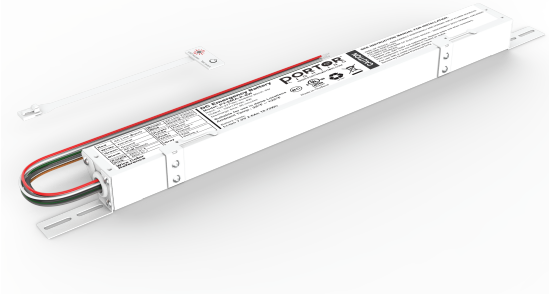


Project Name:	Notes:	Date:	Type:
---------------	--------	-------	-------



**FEATURES**

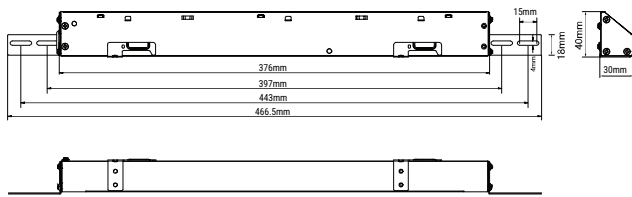
- Emergency battery for use with external drives
- Constant output power
- High temperature protection
- **Self-testing**

**LISTING**

- UL924

**DIMMENSIONS 8W**

L466.5 × W40 × H30 mm  
L18.36" × W 1.57" × H1.18"



**TECHNICAL SPECIFICATION**

EMERGENCY POWER	8W
INPUT VOLTAGE	100-277 VAC
POWER FREQUENCY	50/60 Hz
INPUT CURRENT	80mA max
INPUT POWER	5W
RECHARGE TIME	24 hrs
OUTPUT VOLTAGE	150-170 VDC
EMERGENCY OPERATION	90 mins
BATTERY TYPE	Li-ion
AMBIENT TEMP.	32°F - 122°F
WARRANTY	5 year limited

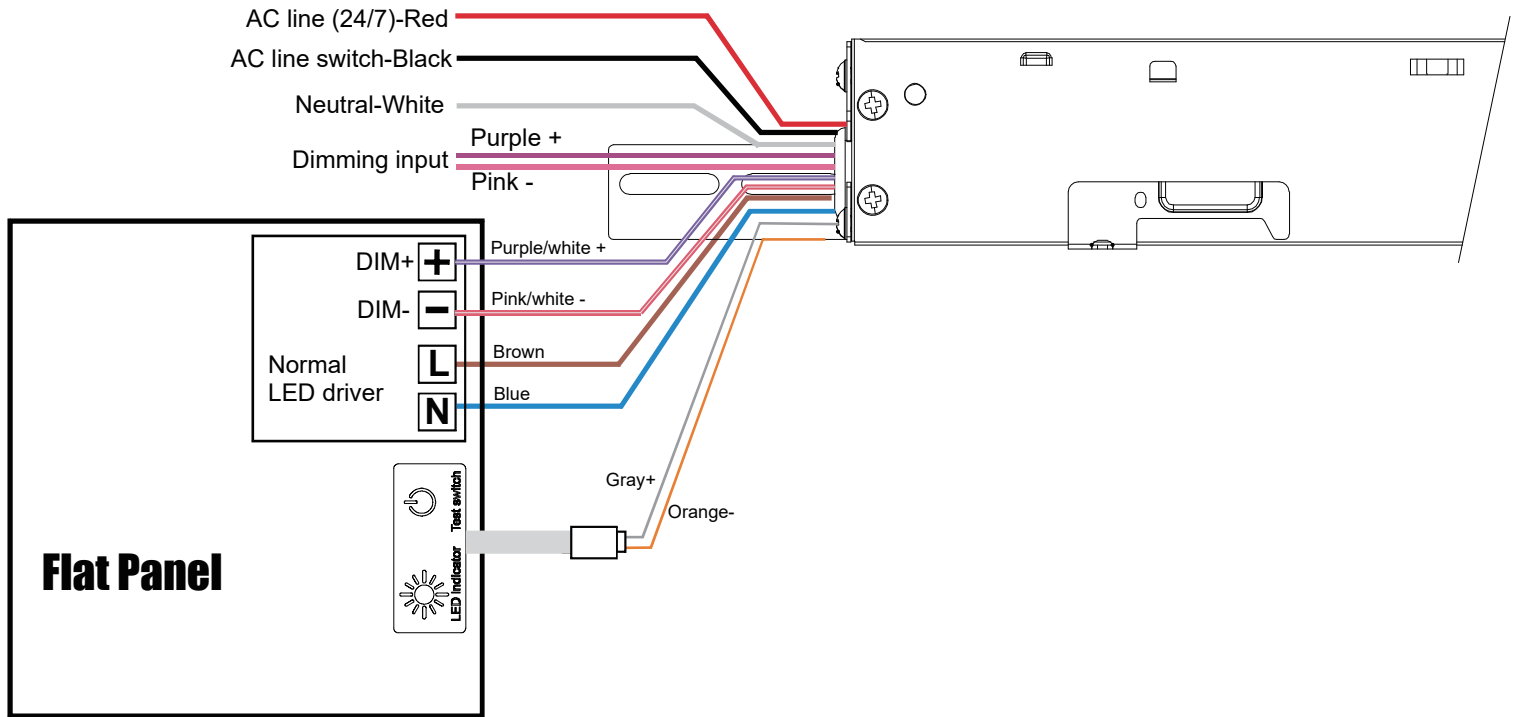


**CAUTION:**

- In order to avoid electric shock, during AC operation, do not touch or remove any wires.
- During emergency operation, before touching or disconnecting the wires, press the test button to turn the LED lamp and indicator light off to avoid electric shock .

Project Name:	Notes:	Date:	Type:
---------------	--------	-------	-------

**WIRING DIAGRAM**



**Test switch**

- Emergency conversion Kit will go into emergency mode if test switch is pressed when main supply is on, while it will go into charging mode if test switch is not pressed.

In emergency mode, press the test switch for 3 seconds to turn off the current emergency state.

**LED indicator**

- Red stable: charging mode or charging full
- Red off: main power off or discharging mode



**Applicable LED lighting fixture types:**

- Lighting fixtures total power  $\leq$  nominal emergency power, no need to have a 0-10V dimming function.
- Lighting fixtures total power more than the nominal emergency power must have a 0-10V dimming function.
- This product drive lamp's driver.

**OPERATION:**

WHEN AC POWER FAILS, EMERGENCY LED DRIVER IMMEDIATELY SWITCHES TO THE EMERGENCY MODE, OPERATING THE LEDS AT A REDUCED LUMEN OUTPUT FOR A MINIMUM OF 90 MINUTES. WHEN AC POWER IS RESTORED, THE EMERGENCY DRIVER AUTOMATICALLY RETURNS TO THE CHARGING MODE.