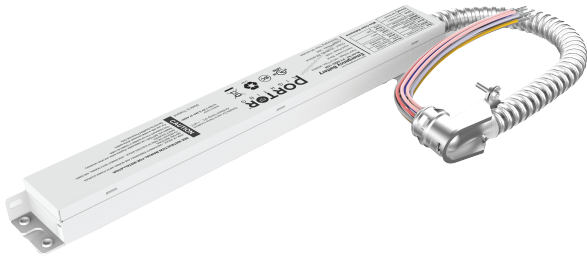


Project Name:	Notes:	Date:	Type:
---------------	--------	-------	-------



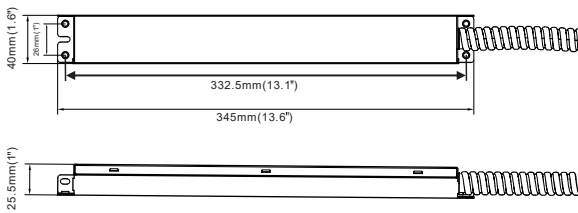
**FEATURES**

- Emergency battery for use with external drives
- Constant output power
- High temperature protection
- **Self-testing**

**LISTING**

- UL924

**DIMMENSIONS 16W**



**TECHNICAL SPECIFICATION**

EMERGENCY POWER	16W
INPUT VOLTAGE	100-277 VAC
POWER FREQUENCY	50/60 Hz
INPUT CURRENT	120mA max
INPUT POWER	5W
RECHARGE TIME	24 hrs
OUTPUT VOLTAGE	20-52 VDC
EMERGENCY OPERATION	90 mins
BATTERY TYPE	Li-ion
AMBIENT TEMP.	32°F - 122°F
WARRANTY	5 year limited

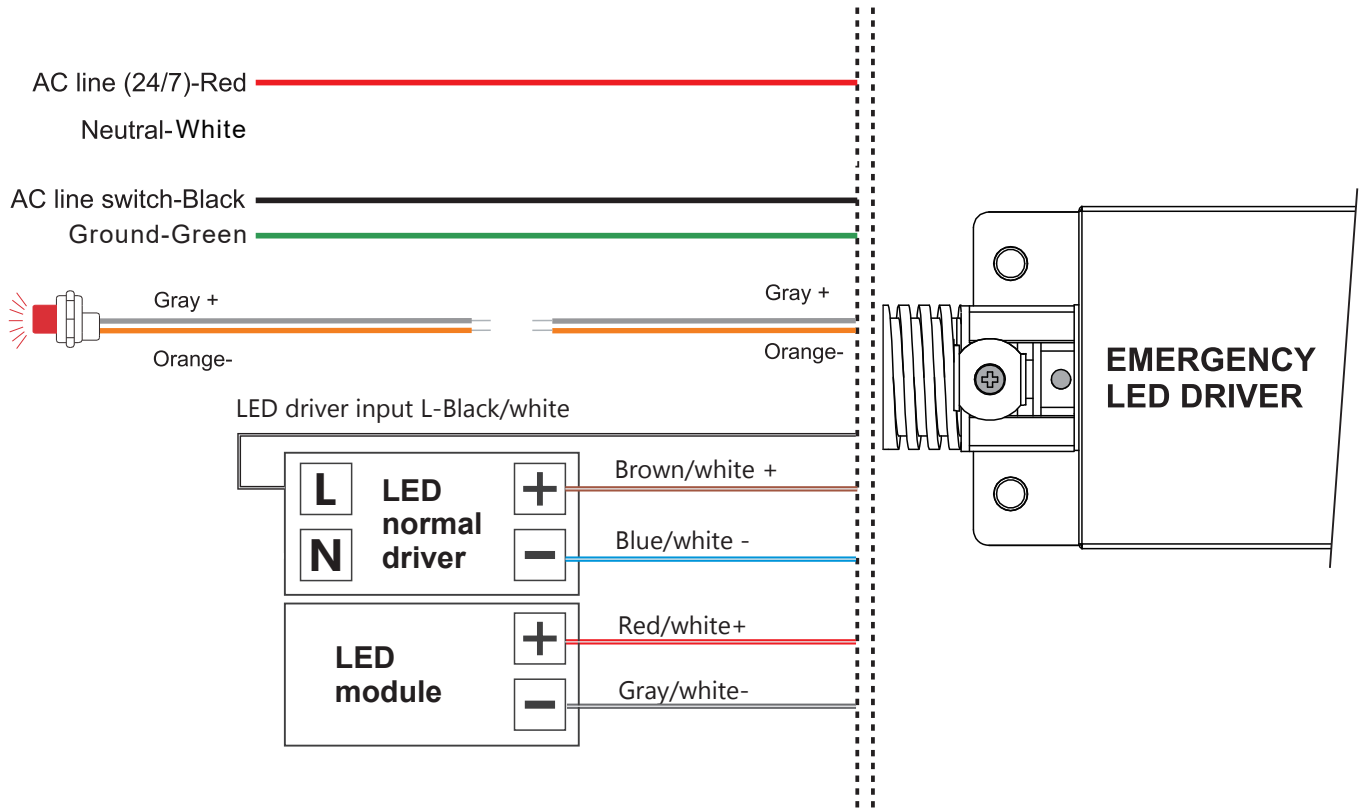


**CAUTION:**

- In order to avoid electric shock, during AC operation, do not touch or remove any wires.
- During emergency operation, before touching or disconnecting the wires, press the test button to turn the LED lamp and indicator light off to avoid electric shock .

Project Name:	Notes:	Date:	Type:
---------------	--------	-------	-------

**WIRING DIAGRAM**



**OPERATION**

WHEN AC POWER FAILS, EMERGENCY LED DRIVER IMMEDIATELY SWITCHES TO THE EMERGENCY MODE, OPERATING THE LEDS AT A REDUCED LUMEN OUTPUT FOR A MINIMUM OF 90 MINUTES. WHEN AC POWER IS RESTORED, THE EMERGENCY DRIVER AUTOMATICALLY RETURNS TO THE CHARGING MODE.