

Catalog Number:	Project Name:	Note:	Date:	Type:
-----------------	---------------	-------	-------	-------

The PT-FL-300-3CPB Flood Light is a high-performance, energy-efficient lighting solution built for flexibility and strong illumination. Its adjustable beam angle allows you to direct light exactly where it's needed, helping improve coverage while reducing wasted light. The rugged build supports reliable use in a wide range of outdoor conditions.

Included slipfitter and U-bracket mounting options for easy installation. Ideal for building exteriors, parking areas, signage, general site lighting, and other outdoor spaces that need focused, adjustable light.



**CONSTRUCTION**

Die-cast aluminum housing with excellent heat management equipped for long lasting durability. Weather-proof gasketed that is IP65 rated. With integrated Photocell it increases the versatility for various different applications.

**ELECTRICAL**

Luminaire is built with the highest quality driver that is Universal Voltage (120-277V), uses long lasting, high-efficient LED packages.

**OPTICAL SYSTEM**

PC lens is designed to reduce glare and improve overall light-distribution through precision formed lens optics.

**ENERGY SAVINGS**

Over 50% energy savings than traditionally fluorescent fixtures, low heat productions requires less maintenance and operation cost.

**LISTING**

UL Listed, Wet Location

**WARRANTY**

5 year Limited Warranty

PART #	WATTAGE	DELIVERED LUMENS	EFFICACY
PT-FL-300-3CPB	180W	26,100	145 lm/W
	240W	34,800	145 lm/W
	300W	43,500	145 lm/W

*Based on IES test results @ 5000K. Actual lumens may vary.*

**TECHNICAL SPECIFICATION**

CRI	70
DIMMABLE	0-10V dimming
VOLTAGE	120V-277V, 50/60 Hz
CCT	3000K, 4000K, 5000K
BEAM ANGLE	60°/90°/120°
POWER FACTOR	>0.9
WORKING TEMPERATURE	-40°F - +113°F
IP RATING	IP65 Wet Location
WARRANTY	5 year limited

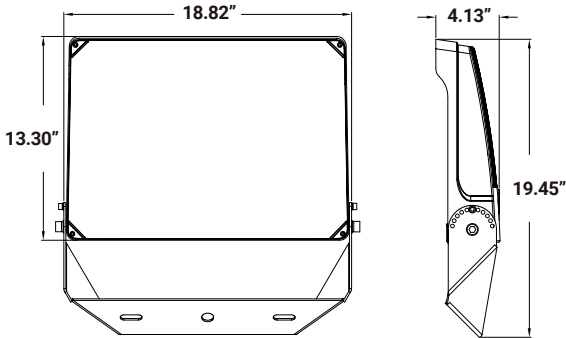


ORDERING SAMPLE:  -  -  -  -  -

Series	Wattage	CCT	Voltage	Mounting	Accessories
PT-FL	300 (180W/240W/300W)	3CPB (3000K, 4000K, 5000K)	blank (120-277V)	blank Included (U-bracket default) (Slipfitter)	

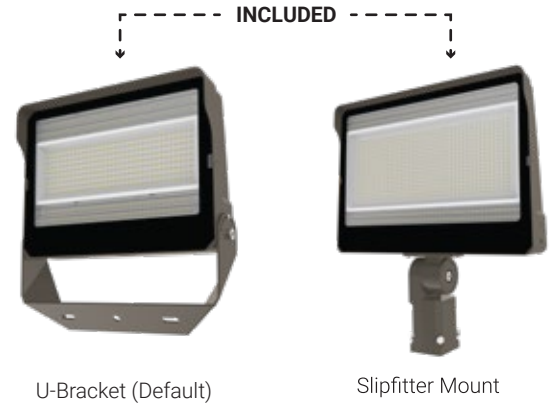
Catalog Number:	Project Name:	Note:	Date:	Type:
-----------------	---------------	-------	-------	-------

**DIMENSION**

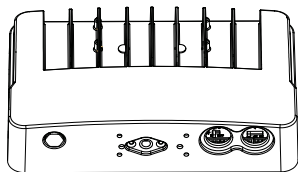
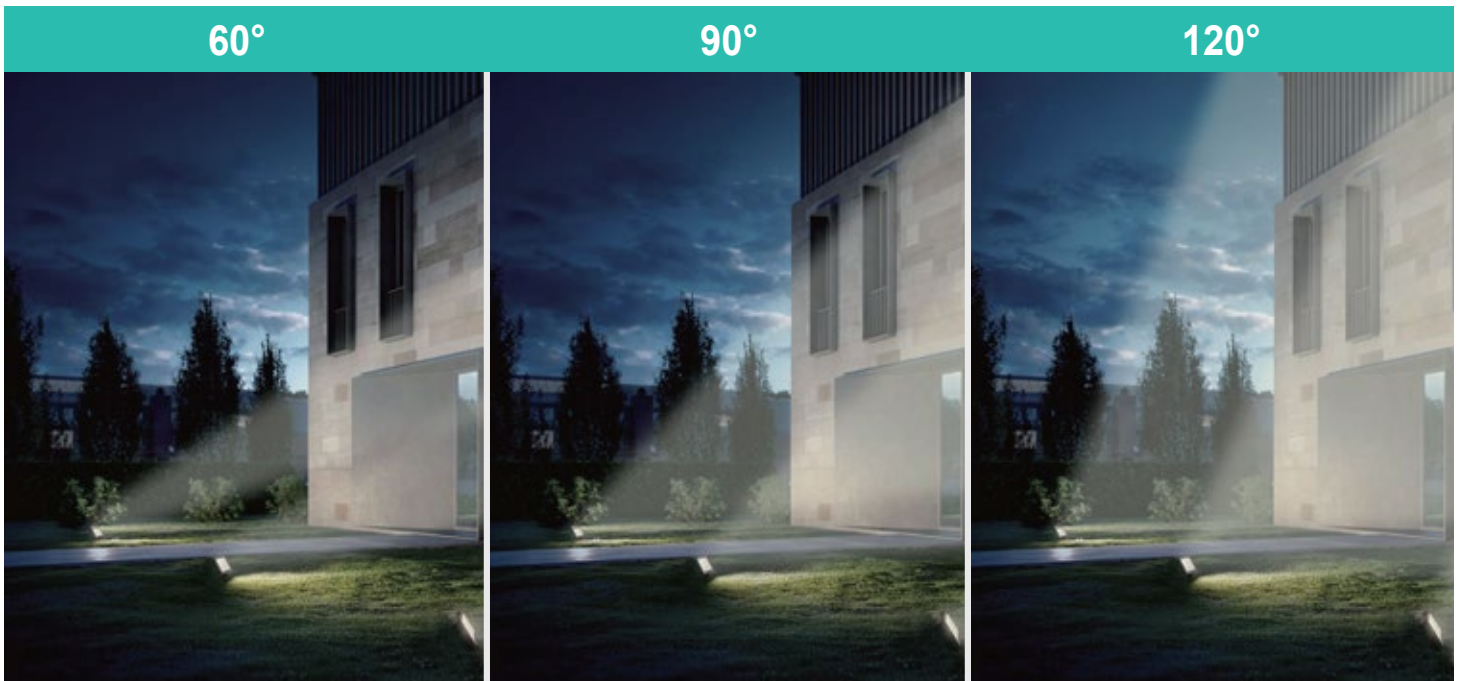


**MOUNTING OPTIONS**

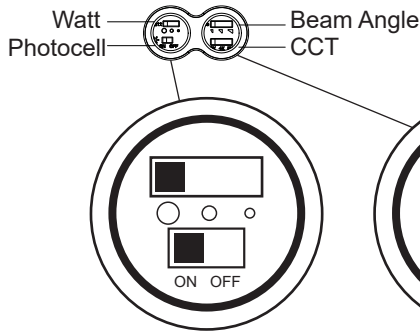
QTY/CARTON  
**1**  
PIECE



**OPTIC ADJUSTABLE**



- 300W
- 240W
- 180W



**EASILY FLIP THE SWITCH FOR DESIRED WATTAGE BEFORE INSTALLATION: THE FIXTURE COMES FACTORY SET TO 300W OUTPUT.**