

Catalog Number:	Project Name:	Note:	Date:	Type:
-----------------	---------------	-------	-------	-------



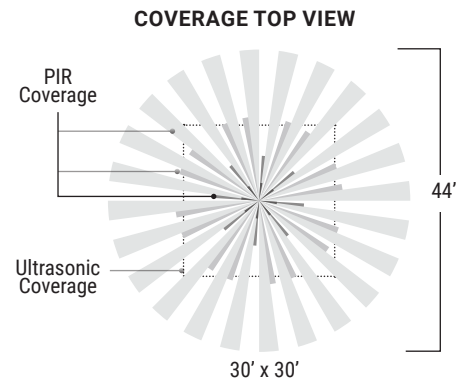
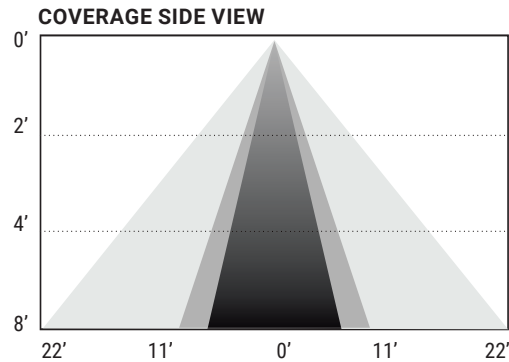
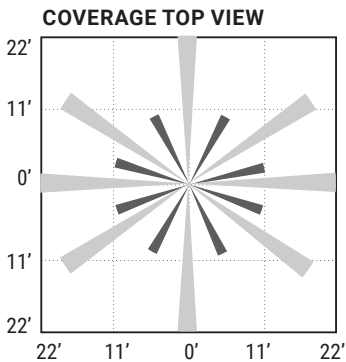
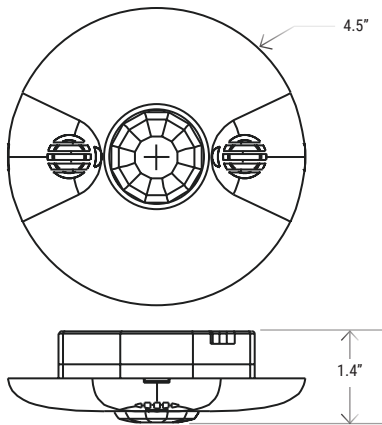
The PT-MS-21-BT-JB is a line-voltage dual-tech occupancy sensor with daylight harvesting. Utilizing TEELIO Bluetooth technology, integrating PIR and ultrasonic technologies for precise detection across a 600 sq ft area.

### FEATURES

- PIR and Ultrasonic technologies
- Integrated Bluetooth
- Ambient light "Hold-OFF" feature

### SPECIFICATIONS

<b>Input Voltage</b>	AC 120-277V
<b>Frequency</b>	50/60 Hz
<b>Resistive</b>	1200W Max @ 120VAC
<b>Tungsten</b>	1200W Max @ 120VAC
<b>Electronic Ballast</b>	1200W Max @ 120VAC 2400W Max @ 277VAC
<b>Motor</b>	1/4 HP @ 120VAC
<b>Bluetooth Transmit</b>	100ft Max
<b>Radio Frequency</b>	2.4GHz ± 75MHz
<b>Bluetooth Version</b>	5.0
<b>Housing Material</b>	UL 94-5VA
<b>Indoor/Outdoor Use</b>	Indoor Use
<b>Operating Temperature</b>	-22°F to 131°F
<b>Storage Temperature</b>	-22°F to 185°F
<b>IP Rating</b>	IP20
<b>Color</b>	White
<b>Warranty</b>	5 year warranty
<b>Compliance</b>	UL773A, UL8750, RoHS



Catalog Number:	Project Name:	Note:	Date:	Type:
-----------------	---------------	-------	-------	-------

### WIRING DIAGRAM

