

Catalog Number:	Project Name:	Note:	Date:	Type:
-----------------	---------------	-------	-------	-------



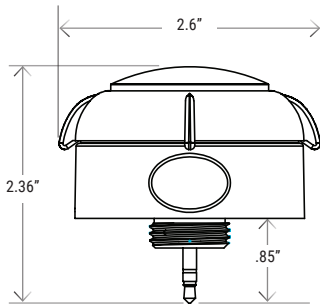
The PT-MS-BT is a low-voltage sensor engineered for seamless luminaire integration, enabling Luminaire Level Lighting Control (LLLC) functionality for panel, troffer, strips, and potentially many more lighting fixtures. This compact unit combines daylight harvesting and PIR occupancy sensing to transform luminaires into intelligent lighting solutions.

### FEATURES

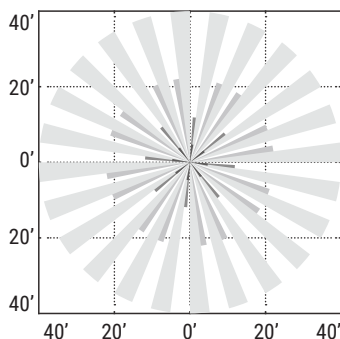
- Integrated Bluetooth connectivity
- Daylight Harvesting + PIR analog sensing technology
- Low-profile linear design with minimal height above luminaire
- DIM-to-OFF for effective dimming and energy efficient functionality
- UL2043 capabilities without any additional wiring
- Bluetooth wireless technology for security and reliability

### SPECIFICATIONS

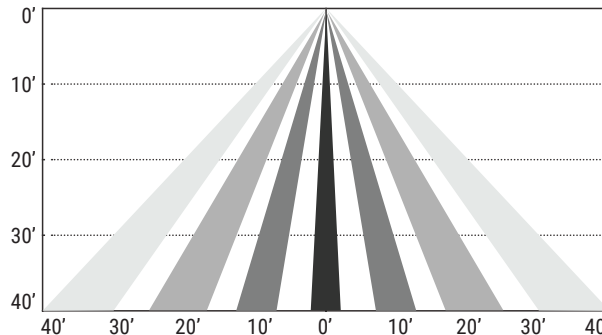
<b>Input Voltage</b>	DC 12V
<b>Input Current</b>	25mA Max
<b>Input Power</b>	0.3W
<b>Output Current</b>	10mA Max
<b>Output Power</b>	0.1W
<b>Dimming</b>	Class 2, 0-10V DC 10mA Max
<b>Sinking Current</b>	10mA Max
<b>Bluetooth Transmit</b>	100ft Max
<b>Radio Frequency</b>	2.4GHz ± 75MHz
<b>Bluetooth Version</b>	5.0
<b>Housing Material</b>	UL 94-5VA
<b>Detection Range</b>	40ft Max
<b>Mounting Height</b>	18ft Max
<b>Indoor/Outdoor Use</b>	Indoor Use Only
<b>Operating Temperature</b>	-22°F to 131°F
<b>Storage Temperature</b>	-22°F to 185°F
<b>IP Rating</b>	IP20
<b>Color</b>	White
<b>Warranty</b>	5 year warranty
<b>Compliance</b>	UL8750, UL1376, RoHS



COVERAGE TOP VIEW

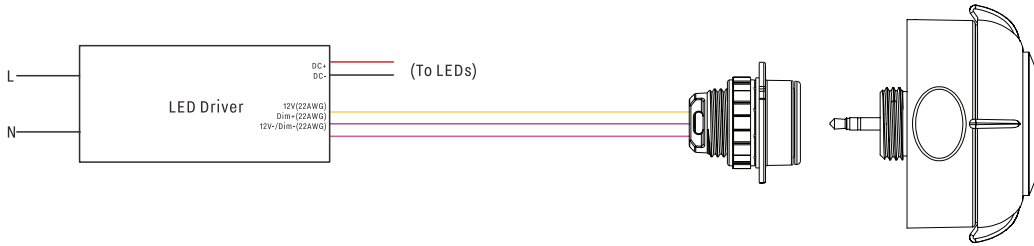


COVERAGE SIDE VIEW



Catalog Number:	Project Name:	Note:	Date:	Type:
-----------------	---------------	-------	-------	-------

### WIRING DIAGRAM



### ACCESSORIES (SOLD SEPARATELY)



**ELB-UNI-35**  
Elbow adapter



**ADP-35-SP**  
Audiojack to 3 Pin adapter

