

Catalog Number:	Project Name:	Note:	Date:	Type:
-----------------	---------------	-------	-------	-------



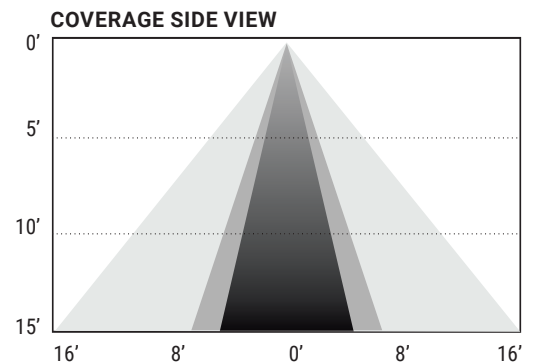
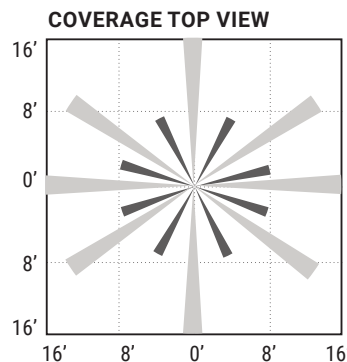
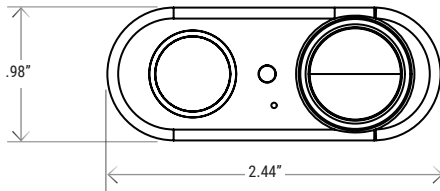
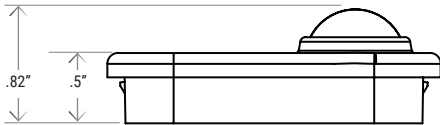
The PT-MS-BT is a low-voltage sensor engineered for seamless luminaire integration, enabling Luminaire Level Lighting Control (LLLC) functionality for panel, troffer, strips, and potentially many more lighting fixtures. This compact unit combines daylight harvesting and PIR occupancy sensing to transform luminaires into intelligent lighting solutions.

FEATURES

- Integrated Bluetooth connectivity
- Daylight Harvesting + PIR analog sensing technology
- Low-profile linear design with minimal height above luminaire
- DIM-to-OFF for effective dimming and energy efficient functionality
- UL2043 capabilities without any additional wiring
- Bluetooth wireless technology for security and reliability

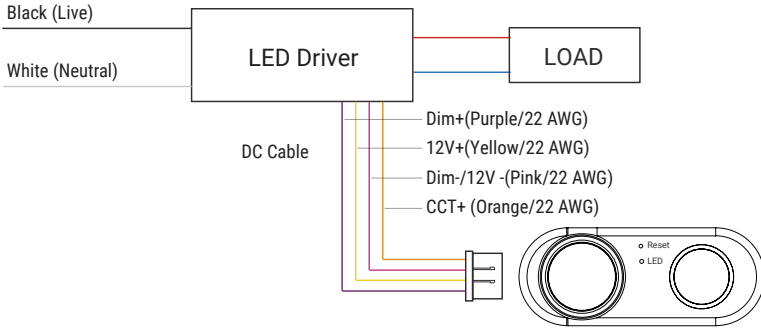
SPECIFICATIONS

Input Voltage	DC 12V
Input Current	25mA Max
Input Power	0.3W
Output Current	10mA Max
Output Power	0.1W
Dimming	Class 2, 0-10V DC 10mA Max
Sinking Current	10mA Max
Bluetooth Transmit	100ft Max
Radio Frequency	2.4GHz ± 75MHz
Bluetooth Version	5.0
Housing Material	UL 94-5VA
Detection Range	40ft Max
Mounting Height	18ft Max
Indoor/Outdoor Use	Indoor Use Only
Operating Temperature	-22°F to 131°F
Storage Temperature	-22°F to 185°F
IP Rating	IP20
Color	White
Warranty	5 year warranty
Compliance	UL8750, UL1376, RoHS



Catalog Number:	Project Name:	Note:	Date:	Type:
-----------------	---------------	-------	-------	-------

WIRING DIAGRAM



INSTALLATION

