

Catalog Number:	Project Name:	Note:	Date:	Type:
-----------------	---------------	-------	-------	-------

The SPL LED Sports Light is a high-performance, energy-efficient lighting solution designed for sports fields and arenas. It delivers bright, uniform illumination, enhancing visibility for players and spectators alike, while its durable construction ensures reliable performance in all weather conditions.

Available with knuckle, slipfitter or a u-bracket mount for convenient mounting option. Ideal use for for illuminating athletic fields, arenas, and courts to ensure optimal visibility for players, officials, and spectators during games and events.



400W • 500W • 600W
WATTAGE
SELECTOR



CONSTRUCTION

Die-cast aluminum housing with excellent heat management equipped for long lasting durability. Weather-proof gasketed that is IP65 rated. Small slim profile make it versatile for various different application.

ELECTRICAL

Luminaire is built with the highest quality driver that is Universal Voltage (120-277V), uses long lasting, high-efficient LED packages.

OPTICAL SYSTEM

PC lens is designed to reduce glare and improve overall light-distribution through precision formed lens optics.

ENERGY SAVINGS

Over 50% energy savings than traditionally fluorescent fixtures, low heat productions requires less maintenance and operation cost.

LISTING

UL Listed, FCC, RoHS, CE, IP65 rated, DLC Premium.

WARRANTY

5 year Limited Warranty



PART #	WATTAGE	DELIVERED LUMENS	EFFICACY
PT-SPL-600	400W	67,386	168 lm/W
	500W	79,889	159 lm/W
	600W	91,124	151 lm/W

Based on IES test results @ 5000K. Actual lumens may vary.

TECHNICAL SPECIFICATION

CRI	70+
DIMMABLE	0-10V dimming
VOLTAGE	120V-277V, 50/60 Hz
SURGE PROTECTION(Optional)	L/N-PE: 10kV, L-N: 6kV
BEAM ANGLE	35°
POWER FACTOR	>0.9
THD	≤20%
WORKING TEMPERATURE	-40°F - +113°F
OPERATING HUMIDITY	20%-90% RH
IP RATING	IP65 Wet Location
WARRANTY	5 year limited
DLC PRODUCT ID	S-X9B1VL

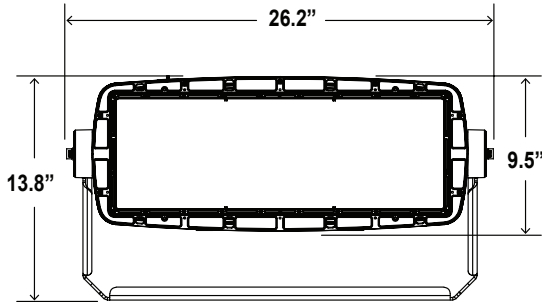
ORDERING SAMPLE: - - - - -

Series	Wattage	CCT	Voltage	Mounting	Accessories
PT-SPL-600	3P (205W/225W/255W)	50K (5000K)	blank (120-277V)	UB (U-Bracket) <i>Default</i> *SF (Slipfitter) *KM (Knuckle)	*VIS (Visor) *LVR (Louver)

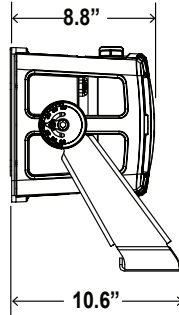
**Special order required*

Catalog Number:	Project Name:	Note:	Date:	Type:
-----------------	---------------	-------	-------	-------

DIMENSION



NET WIGHT: 44 LBS

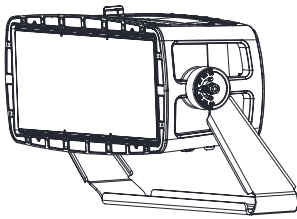


QTY/CARTON

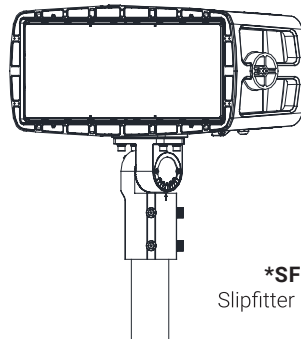


PIECE

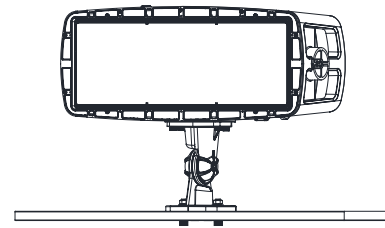
MOUNTING OPTIONS



UB
U-Bracket
(Default)



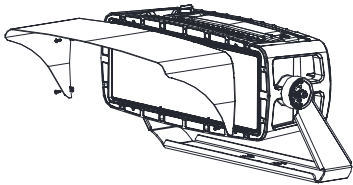
***SF**
Slipfitter Mount



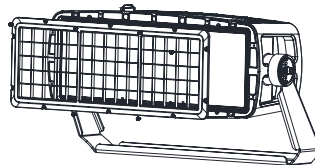
***KM**
Knuckle Mount

**Special order required*

ACCESSORIES



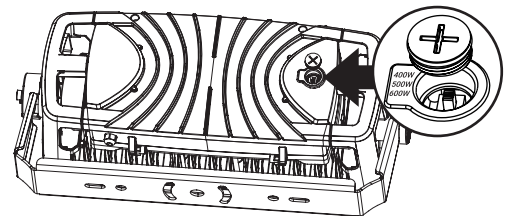
***VIS**
Visor



***LVR**
Louver

**Special order required*

**EASILY FLIP THE SWITCH FOR DESIRED WATTAGE
BEFORE INSTALLATION:
THE FIXTURE COMES FACTORY SET TO 600W OUTPUT.**



To adjust the wattage of the fixture, remove the plug from the back of the fixture and change the position of the selector switch to the desired wattage per the lighting design. Reinstall the plug into the back of the fixture and tighten to ensure the fixture housing is sealed.