

Catalog Number:	Project Name:	Note:	Date:	Type:
-----------------	---------------	-------	-------	-------

Portor's TRO-HO is High-Output luminaire with field-adjustable, and can be programmed with a CCT of 3500K, 4000K, or 5000K, eliminating the need to stock multiple color temperatures.

Ideal use for office spaces, walkways, schools/campuses, shopping centers, hospitality and health care industry.



HIGH OUTPUT TROFFER



CONSTRUCTION

Constructed of one-piece ribbed unitized housing and corners that interlock, preventing damage to luminaire. All sides and corners are turned in and hemmed, removing sharp edges for safe handling and installation.

ELECTRICAL

Luminaire is built with the highest quality 120-277VAC drivers.

OPTICAL SYSTEM

Designed to reduce glare and improve light distribution through precision formed lens optics.

DIMMING

0-10V dimmable standard

CONTROLS

Option available for dimmers and occupancy sensors (consult factory) to maximize energy savings.

LISTING

UL Listed, RoHS

WARRANTY

5 Years Limited Warranty

WATTAGE	DELIVERED LUMENS	EFFICACY
30W	3,991	up to 146 lm/W
35W	4,594	
40W	5,162	

Based on 4000K setting. Actual lumens may vary.

TECHNICAL SPECIFICATION

CCT	3500K/4000K/5000K
CRI	80
DIMMABLE	0-10V dimmable
BEAM ANGLE	120°
VOLTAGE	120V-277V, 50/60 Hz
POWER FACTOR	>0.9
THD	≤20%
WORKING TEMPERATURE	-40°F ~ 122°F
IP RATING	Suitable for damp locations
WARRANTY	5 year limited
DLC PRODUCT ID	S-01LZ7X

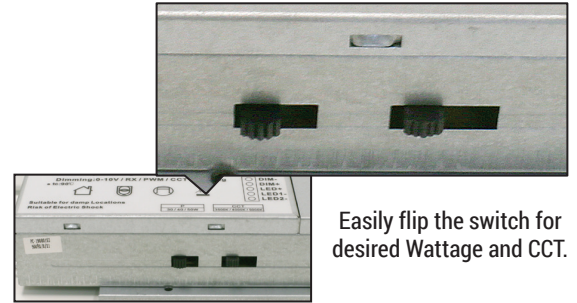
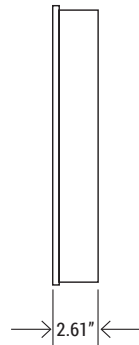
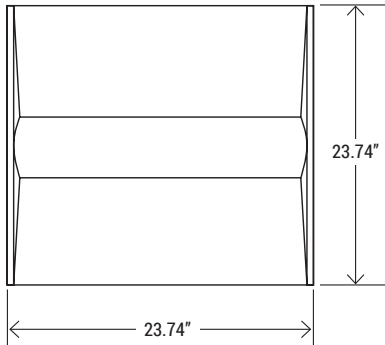


ORDERING SAMPLE: - - - -

Series	Size	CCT/Wattage	Accessories/Options	
PT-TRO-HO High Output Troffer	22 (2' x 2')	3CP (3500K/4000K/5000K) (25W/30W/35W)	Sensor	EM Battery
			MS or blank	EM or blank

Catalog Number:	Project Name:	Note:	Date:	Type:
-----------------	---------------	-------	-------	-------

DIMENSION



Easily flip the switch for desired Wattage and CCT.



MOTION SENSOR

OPTIONS

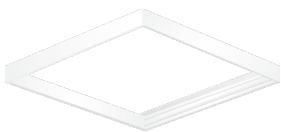


MS
Motion Sensor

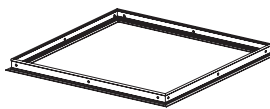


EM
LED Emergency Driver

MOUNTING KIT



SMK-TRO-22
2'x2' Troffer Surface Mount Kit



FK-22
2'x2' Flange Kit