

Catalog Number:	Project Name:	Note:	Date:	Type:
-----------------	---------------	-------	-------	-------

Portor's TRO2 luminaire with field-adjustable, and can be programmed with a CCT of 3500K, 4000K, or 5000K, eliminating the need to stock multiple color temperatures.

Ideal use for office spaces, walkways, schools/campuses, shopping centers, hospitality and health care industry.



**SECOND GENERATION**



**CONSTRUCTION**

Constructed of one-piece ribbed unitized housing and corners that interlock, preventing damage to luminaire. All sides and corners are turned in and hemmed, removing sharp edges for safe handling and installation.

**ELECTRICAL**

Luminaire is built with the highest quality 120-277VAC drivers.

**OPTICAL SYSTEM**

Designed to reduce glare and improve light distribution through precision formed lens optics.

**DIMMING**

0-10V dimmable standard

**CONTROLS**

Option available for dimmers and occupancy sensors (consult factory) to maximize energy savings.

**LISTING**

UL Listed, RoHS

**WARRANTY**

5 Years Limited Warranty

WATTAGE	DELIVERED LUMENS	EFFICACY
25W	3,511	up to 145 lm/W
30W	4,150	
35W	4,753	

*Based on 4000K setting. Actual lumens may vary.*

**TECHNICAL SPECIFICATION**

CCT	3500K/4000K/5000K
CRI	80
DIMMABLE	0-10V dimmable
BEAM ANGLE	120°
VOLTAGE	120V-277V, 50/60 Hz
POWER FACTOR	>0.9
THD	≤20%
WORKING TEMPERATURE	-40°F ~ 122°F
IP RATING	Suitable for damp locations
WARRANTY	5 year limited

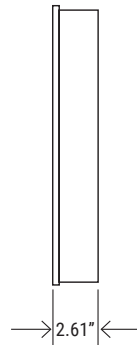
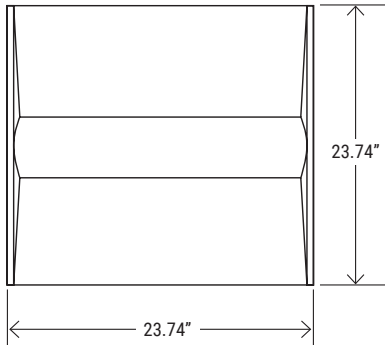


ORDERING SAMPLE:  -  -  -  -  -

Series	Size	CCT/ Wattage	Accessories/Options		
			Sensor	EM Battery	Control
<b>PT-TRO2</b> Second Generation Troffer	<b>22</b> (2' x 2')	<b>3CP</b> (3500K/4000K/5000K) (25W/30W/35W)	MS or blank	EM or blank	A-WN-D01-RF-WH

Catalog Number:	Project Name:	Note:	Date:	Type:
-----------------	---------------	-------	-------	-------

**DIMENSION**



Easily flip the switch for desired Wattage and CCT.



**MOTION SENSOR**

**OPTIONS**



MS  
Motion Sensor



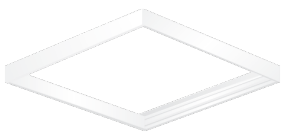
EM  
LED Emergency Driver



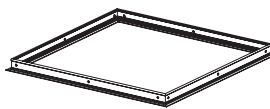
A-WN-D01-RF-WH  
Athena Wireless (RF) Node



**MOUNTING KIT**



SMK-TRO-22  
2'x2' Troffer Surface Mount Kit



FK-22  
2'x2' Flange Kit