

Catalog Number:	Project Name:	Note:	Date:	Type:
-----------------	---------------	-------	-------	-------

DESCRIPTION

Portor's Wraparound series is designed to save energy and meet lost light regress requirements. Our Modern wraparound is wattage adjustable (30W/40W/50W) and color tunable (35K/40K/50K).

Ideal use for offices, hallways, stairwells, bathrooms and conference rooms.



CONSTRUCTION

Modern design wraparound with durable and solid form factor frame. Made out of quality aluminum alloy body with white finish.

ELECTRICAL

High performance light output perfect for high ceiling. Optic lens designed to reduce glare and improve light distribution through precision lens optics.

OPTICAL SYSTEM

Over 50% energy savings compare to fluorescent fixtures. Low heat production from LED technology will require overall less maintenance and operating cost.

ENERGY SAVINGS

Over 50% energy savings compare to fluorescent fixtures. Low heat production from LED technology will require overall less maintenance and operating cost.

LISTING

UL Listed

WARRANTY

5 year Limited Warranty

WATTAGE	DELIVERED LUMENS	EFFICACY
30W	3,450	115 lm/W
40W	4,600	115 lm/W
50W	5,750	115 lm/W

Based on @ 4000K setting. Actual lumens may vary. For complete results, see next page.

TECHNICAL SPECIFICATION

CCT	3500K/4000K/5000K
CRI	80+
DIMMABLE	0-10V dimmable
SENSOR	Photocell ready (Screw-in type)
VOLTAGE	120V-277V
POWER FREQUENCY	50/60 Hz
POWER FACTOR	>0.9
WORKING TEMPERATURE	-4°F ~ +104°F
IP RATING	Dry Location
LIFE SPAN	50,000 hrs
WARRANTY	5 year limited
DLC PRODUCT ID	S-YFSLV6



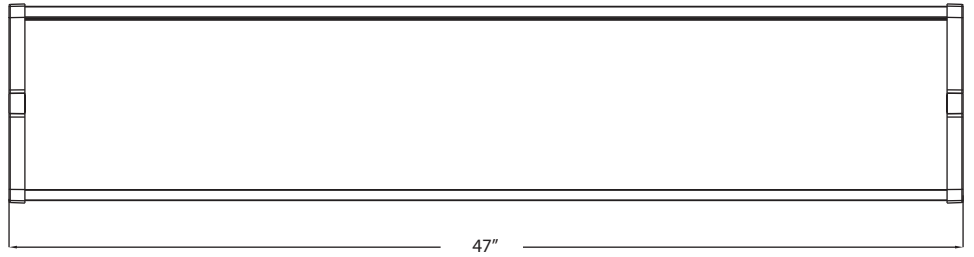
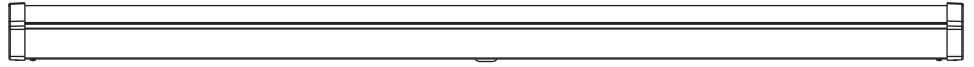
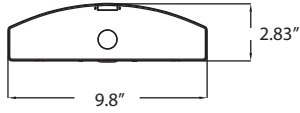
ORDERING SAMPLE:

- - -

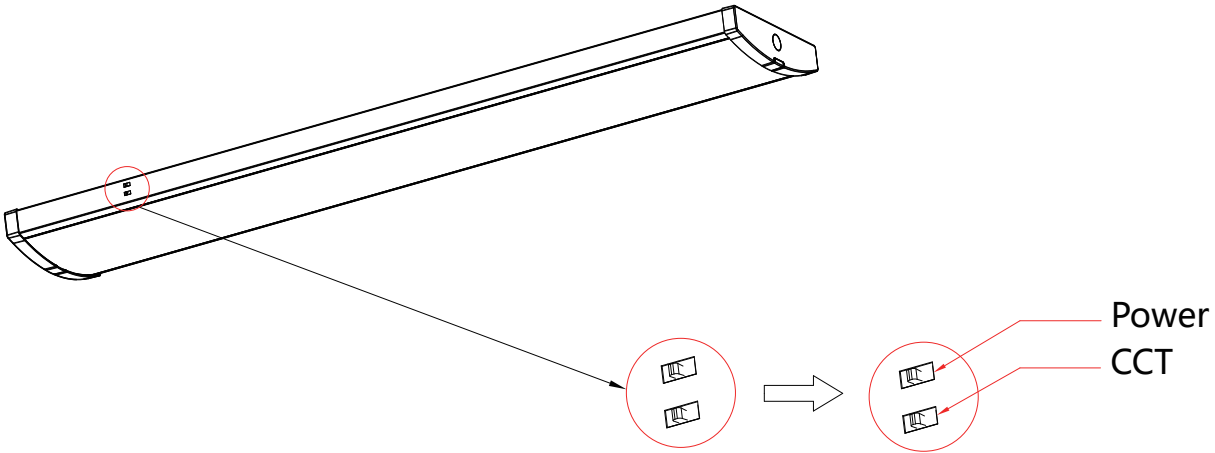
Series	Wattage	CCT	Option
PT-WAM Modern Wraparound Series	4F9I (30W/40W/50W)	3CP (3500K/4000K/5000K)	_ blank Photocell

Catalog Number:	Project Name:	Note:	Date:	Type:
-----------------	---------------	-------	-------	-------

DIMENSION



WATTAGE AND CCT SET-UP



ACCESSORIES

Catalog Number:	Project Name:	Note:	Date:	Type:
-----------------	---------------	-------	-------	-------

DESCRIPTION

Portor's Wraparound series is designed to save energy and meet lost light regress requirements. Our Slim wraparound is wattage adjustable (30W/40W/50W) and color tunable (35K/40K/50K).

Ideal use for offices, hallways, stairwells, bathrooms and conference rooms.



CONSTRUCTION

Slim design wraparound with durable and solid form factor frame. Made out of quality aluminum alloy body with white finish.

ELECTRICAL

Luminaire is built with high efficacy LED package 120V-277V universal drivers

OPTICAL SYSTEM

High performance light output perfect for high ceiling. Optic lens designed to reduce glare and improve light distribution through precision lens optics

ENERGY SAVINGS

Over 50% energy savings compare to fluorescent fixtures. Low heat production from LED technology will require overall less maintenance and operating cost.

LISTING

UL Listed

WARRANTY

5 year Limited Warranty

WATTAGE	DELIVERED LUMENS	EFFICACY
30W	3,450	115 lm/W
40W	4,600	115 lm/W
50W	5,750	115 lm/W

Based on @ 4000K setting. Actual lumens may vary. For complete results, see next page.

TECHNICAL SPECIFICATION

CCT	3500K/4000K/5000K
CRI	80+
DIMMABLE	0-10V dimmable
SENSOR	Photocell ready (Screw-in type)
VOLTAGE	120V-277V
POWER FREQUENCY	50/60 Hz
POWER FACTOR	>0.9
WORKING TEMPERATURE	-4°F ~ +104°F
IP RATING	Dry Location
LIFE SPAN	50,000 hrs
WARRANTY	5 year limited
DLC PRODUCT ID	S-676PYV



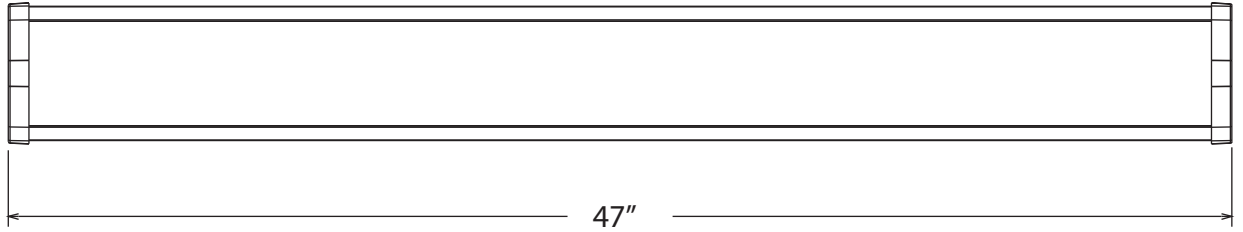
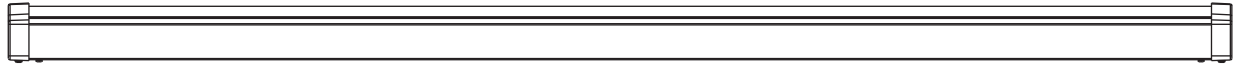
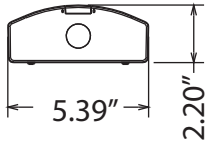
ORDERING SAMPLE:

- - -

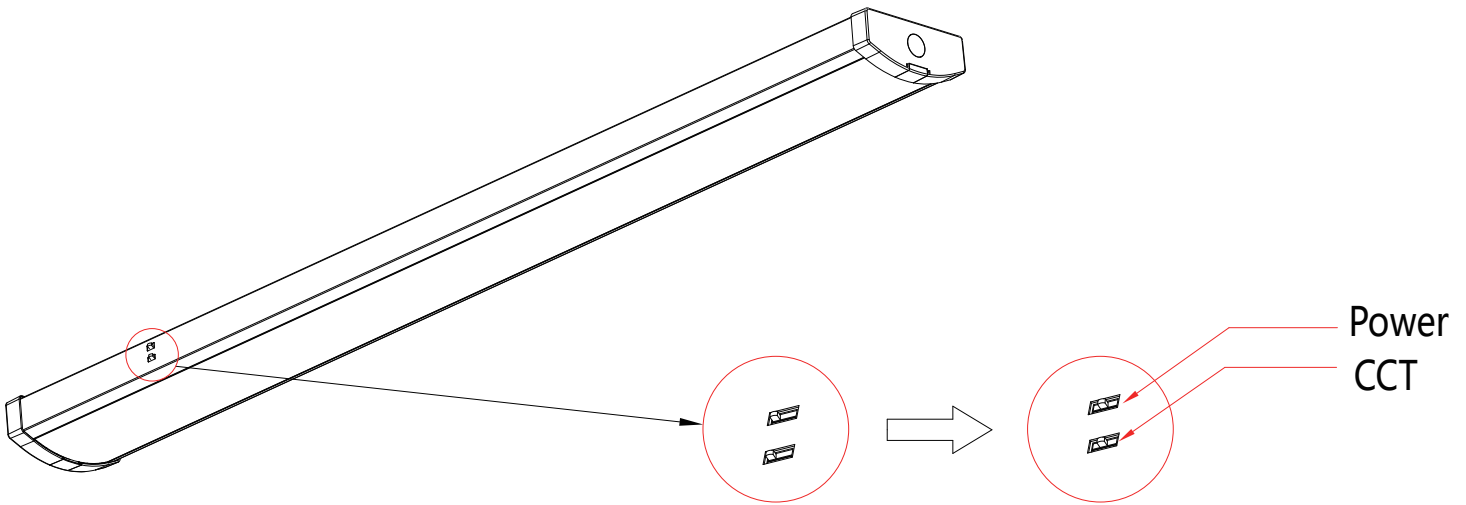
Series	Wattage	CCT	Option
PT-WAS Slim Wraparound Series	4F5I (30W/40W/50W)	3CP (3500K/4000K/5000K)	_ blank Photocell

Catalog Number:	Project Name:	Note:	Date:	Type:
-----------------	---------------	-------	-------	-------

DIMENSION



WATTAGE AND CCT SET-UP



ACCESSORIES

Catalog Number:	Project Name:	Note:	Date:	Type:
-----------------	---------------	-------	-------	-------

Designed for durability and versatility, the IP65 Rated The PT-WPA Series Wall Pack is ideal for wet locations such as processing workshops, storage warehouses, steel mills, toll booths, waiting rooms, and railway station platforms. This robust wall pack ensures reliable performance and superior illumination in challenging environments.

Ideal use for warehouses, walkways, building entry ways, parking lots, retail exteriors and shopping malls.



CONSTRUCTION

Made from die-cast aluminum, offering excellent heat dissipation and long-lasting quality. The IP65 rating ensures protection against water and dust, making it perfect for outdoor and industrial settings.

ELECTRICAL

Compatible with AC120-277V for flexibility in various applications. Equipped with 0-10V dimming to provide adjustable lighting levels.

OPTICAL SYSTEM

T3 lens designed to reduce glare and improve over-all light distribution through precision formed LED optics.

ENERGY SAVINGS

Over 50% energy savings than traditional lamp fixtures, low heat productions requires less maintenance and operation cost.

LISTING

UL Listed, DLC Listed, RoHS, IP65 rated

WARRANTY

5 year Limited Warranty

WATTAGE	DELIVERED LUMENS	EFFICACY
36W,48W,60W	9,322	162 lm/W
60W,80W,100W	15,528	161 lm/W

Based on Max Wattage @ 4000K setting. Actual lumens may vary. For complete results, see next page.

TECHNICAL SPECIFICATION

CCT	3000K/4000K/5000K
CRI	80+
DIMMABLE	0-10V dimmable
SENSOR	Integrated Photocell
VOLTAGE	120V-277V
POWER FREQUENCY	50/60 Hz
POWER FACTOR	>0.9
WORKING TEMPERATURE	-40°F ~ +104°F
IP RATING	IP65 Wet Location
LIFE SPAN	50,000 hrs
WARRANTY	5 year limited



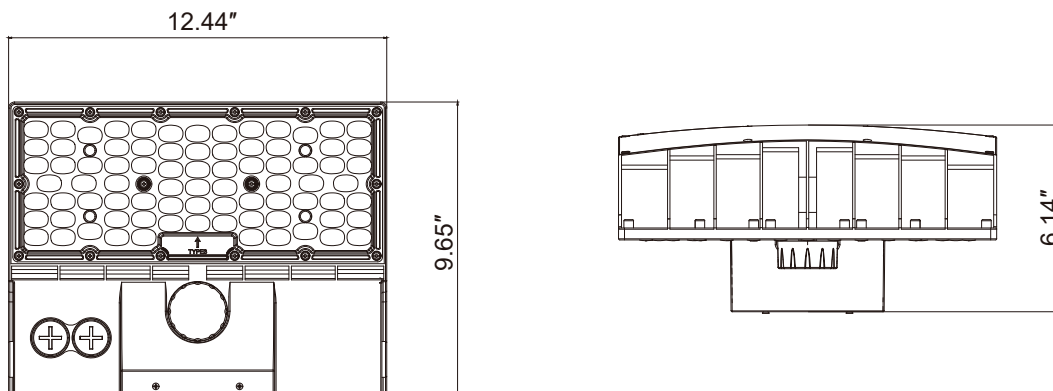
ORDERING SAMPLE:

- -

Series	Wattage	CCT
PT-WPA Mini Wall Pack Series	MW (36W/48W/60W) HW (60W/80W/100W)	3CP (3000K/4000K/5000K)

Catalog Number:	Project Name:	Note:	Date:	Type:
-----------------	---------------	-------	-------	-------

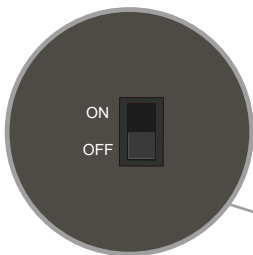
DIMENSION



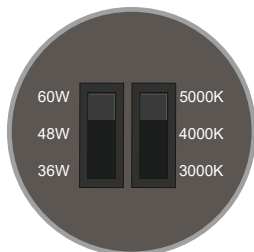
100W/60W

WATTAGE AND CCT SET-UP

DIP Switch for Photocell



DIP Switch for CCT & Wattage



CATALOG NUMBER	WATTAGE	DELIVERED LUMENS	EFFICACY
PT-WPA-MW-3CP	36W	5538 @ 3000K	157 lm/W
		5824 @ 4000K	169 lm/W
		5801 @ 5000K	163 lm/W
	48W	7251 @ 3000K	152 lm/W
		7732 @ 4000K	167 lm/W
		7544 @ 5000K	157 lm/W
	60W	8701 @ 3000K	146 lm/W
		9322 @ 4000K	162 lm/W
		9206 @ 5000K	153 lm/W

CATALOG NUMBER	WATTAGE	DELIVERED LUMENS	EFFICACY
PT-WPA-HW-3CP	60W	9297 @ 3000K	156 lm/W
		9785 @ 4000K	169 lm/W
		9584 @ 5000K	163 lm/W
	80W	12170 @ 3000K	149 lm/W
		12771 @ 4000K	166 lm/W
		12402 @ 5000K	157 lm/W
100W	14306 @ 3000K	142 lm/W	
	15528 @ 4000K	161 lm/W	
	15178 @ 5000K	150 lm/W	