

Catalog Number:	Project Name:	Note:	Date:	Type:
-----------------	---------------	-------	-------	-------

DESCRIPTION

Portor's Wraparound series is designed to save energy and meet lost light regress requirements. Our Slim wraparound is wattage adjustable (30W/40W/50W) and color tunable (35K/40K/50K).

Ideal use for offices, hallways, stairwells, bathrooms and conference rooms.



CONSTRUCTION

Slim design wraparound with durable and solid form factor frame. Made out of quality aluminum alloy body with white finish.

ELECTRICAL

Luminaire is built with high efficacy LED package 120V-277V universal drivers

OPTICAL SYSTEM

High performance light output perfect for high ceiling. Optic lens designed to reduce glare and improve light distribution through precision lens optics

ENERGY SAVINGS

Over 50% energy savings compare to fluorescent fixtures. Low heat production from LED technology will require overall less maintenance and operating cost.

LISTING

UL Listed

WARRANTY

5 year Limited Warranty

WATTAGE	DELIVERED LUMENS	EFFICACY
30W	3,450	115 lm/W
40W	4,600	115 lm/W
50W	5,750	115 lm/W

Based on @ 4000K setting. Actual lumens may vary. For complete results, see next page.

TECHNICAL SPECIFICATION

CCT	3500K/4000K/5000K
CRI	80+
DIMMABLE	0-10V dimmable
SENSOR	Photocell ready (Screw-in type)
VOLTAGE	120V-277V
POWER FREQUENCY	50/60 Hz
POWER FACTOR	>0.9
WORKING TEMPERATURE	-4°F ~ +104°F
IP RATING	Dry Location
LIFE SPAN	50,000 hrs
WARRANTY	5 year limited
DLC PRODUCT ID	S-676PYV



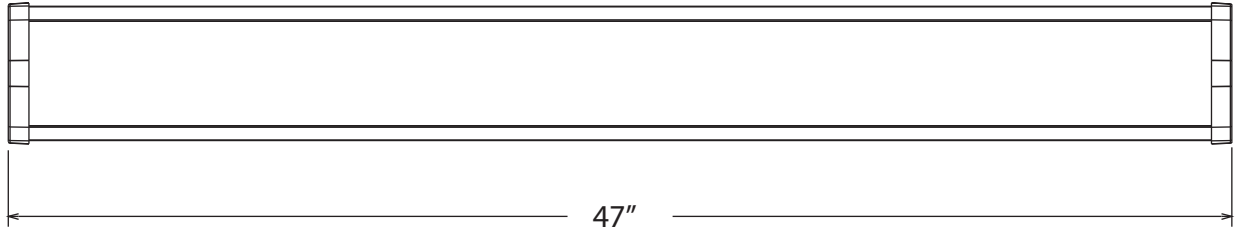
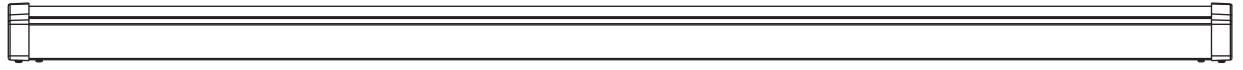
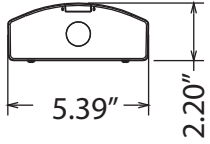
ORDERING SAMPLE:

- - -

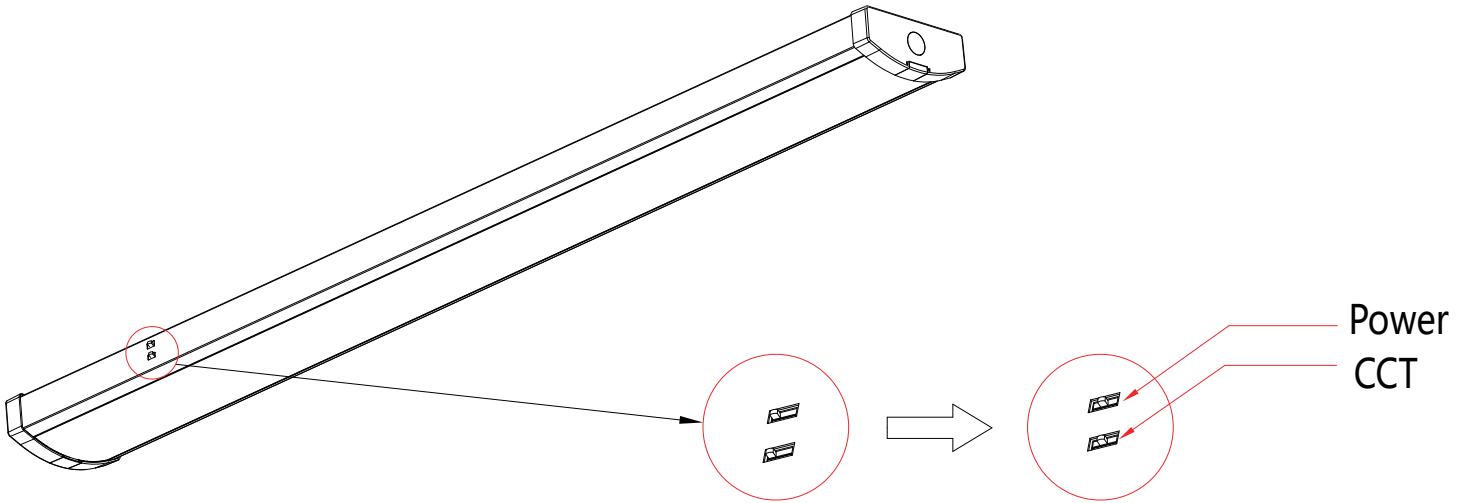
Series	Wattage	CCT	Option
PT-WAS Slim Wraparound Series	4F5I (30W/40W/50W)	3CP (3500K/4000K/5000K)	_ blank Photocell

Catalog Number:	Project Name:	Note:	Date:	Type:
-----------------	---------------	-------	-------	-------

DIMENSION



WATTAGE AND CCT SET-UP



ACCESSORIES