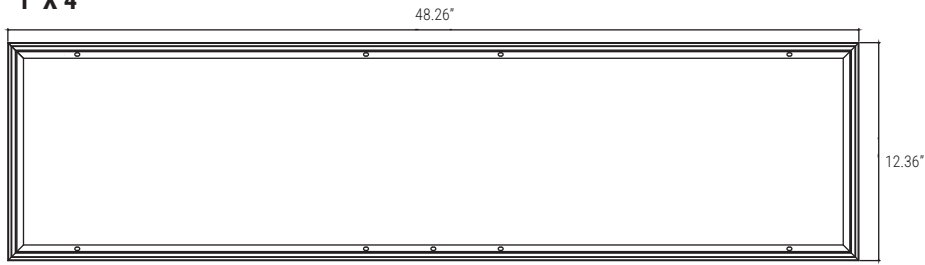


Project Name:	Notes:	Date:	Type:
---------------	--------	-------	-------

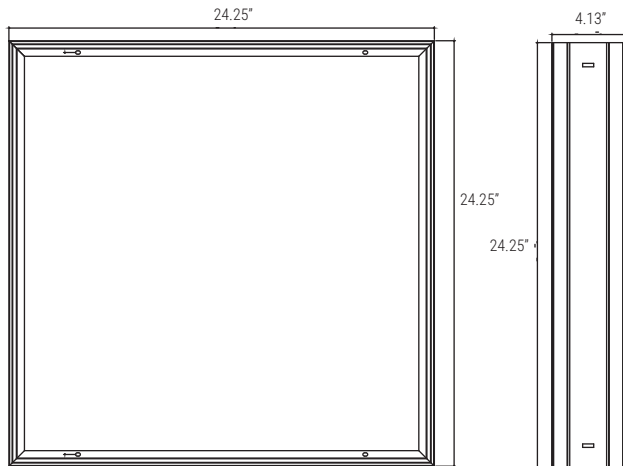
1' X 4'



SMK-UNI-14

Surface mount kit for the 1x4 troffer and Panel.

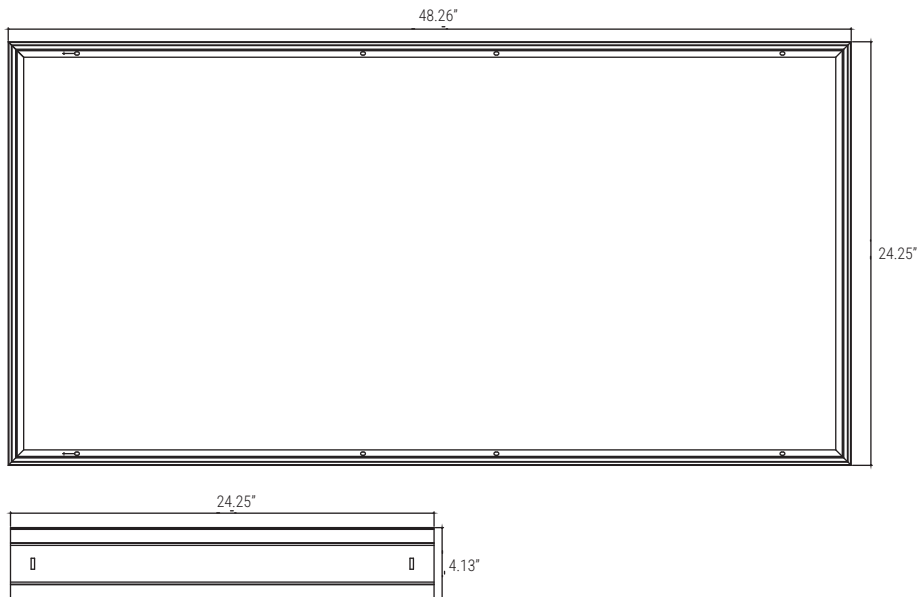
2' X 2'



SMK-UNI-22

Surface mount kit for the 2x2 troffer and Panel.

2' X 4'

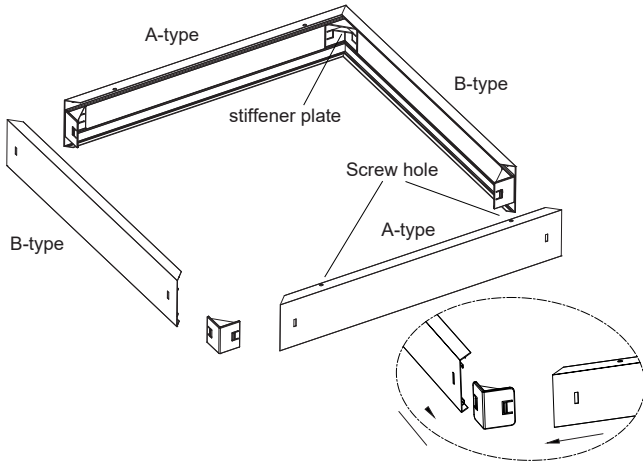


SMK-UNI-24

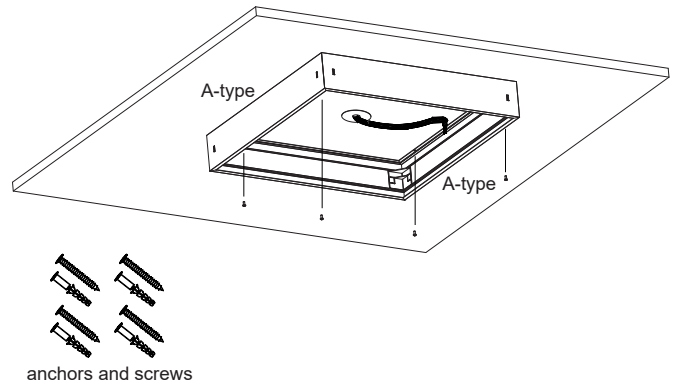
Surface mount kit for the 2x4 troffer and Panel.

Project Name:	Notes:	Date:	Type:
---------------	--------	-------	-------

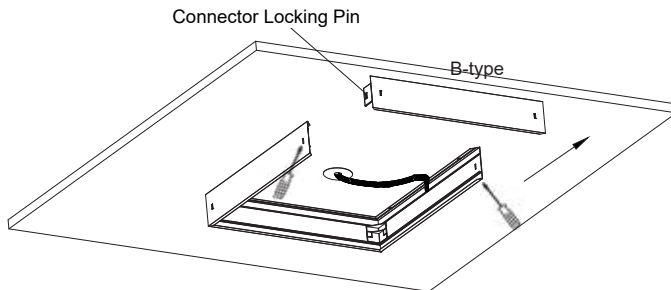
1. Assemble the complete surface mount frame by joining the A-type and B-type frames using plastic connectors. Ensure that each connector is correctly installed, with the stiffener plate positioned near the upper surface of the frame for proper alignment and stability.



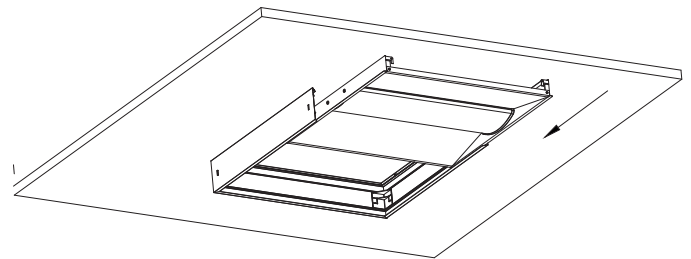
2. Attach the square frame to the ceiling to serve as a positioning guide. Mark the locations of the screw holes on the ceiling, then securely fasten the frame in place using the appropriate screws.



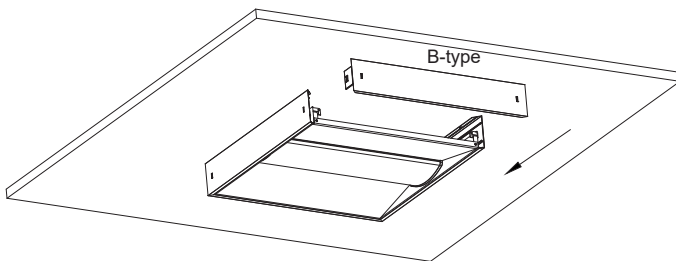
3. Remove one B-type frame by carefully pushing the connector's locking pin using a screwdriver. Ensure to apply gentle pressure to avoid damaging the frame or the connector.



4. Connect the wiring to the main power supply, ensuring compliance with local electrical codes and safety standards. Once the connection is complete, slide the fixture securely into the assembled frame.



5. Reinstall the remaining B-type frame into the slots, ensuring it is securely locked in place by the connectors for a firm and stable fit.



6. Installation Complete.

