

*Meet*

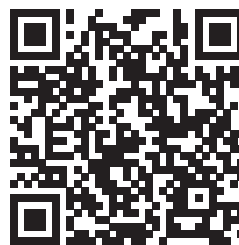
**TEELIO**

*a Portor Lighting brand*

*the new*  **Bluetooth**<sup>TM</sup>

 Download on the  
**App Store**

 GET IT ON  
**Google Play**







Portor Industry is happy to introduce you to TEELIO, a Bluetooth Mesh networking system designed to reduce energy consumption, save money, comply with building codes, and put more power into the palm of your hand. Smart controls are the future of lighting, and TEELIO will help lead the way forward!!!



## AFFORDABLE

Gone are the days of expensive smart control systems needed for every project. Bluetooth Mesh offers an affordable alternative that can be used in numerous applications, and at a fraction of the cost!!!



## FLEXIBLE

New construction, retrofit, remodel? Whatever your needs, TEELIO has you covered!!! The TEELIO system is highly flexible, giving designers, engineers, and end users multiple pathways to achieve their desired lighting needs.



## APP BASED

With TEELIO, commissioning and adjusting your project is a breeze!!! TEELIO is an app-based controls system, giving you the ability to configure your system directly from an app on your phone or tablet.

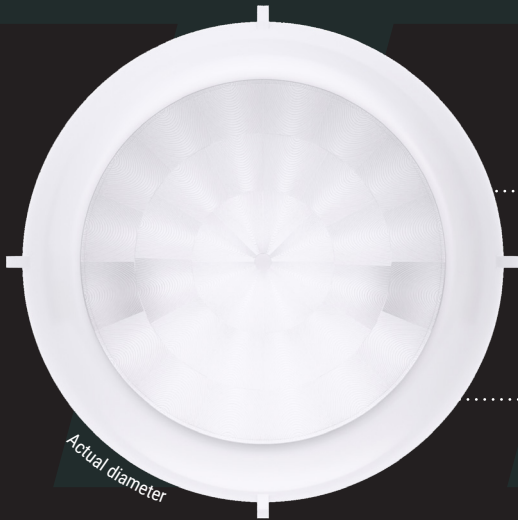


Actual size



## PT-MS-BT Bluetooth 4pin Sensor

The PT-MS-BT is a low-voltage sensor engineered for seamless luminaire integration, enabling Luminaire Level Lighting Control (LLLC) functionality for panel, troffer, strips, and potentially many more lighting fixtures. This compact unit combines daylight harvesting and PIR occupancy sensing to transform luminaires into intelligent lighting solutions.

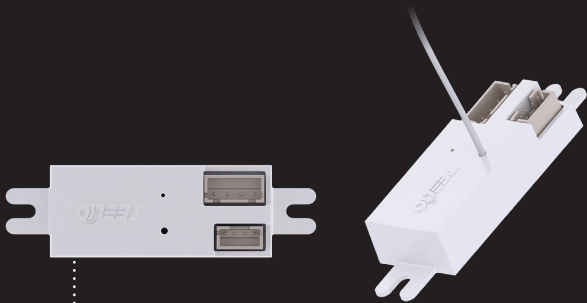


Actual diameter



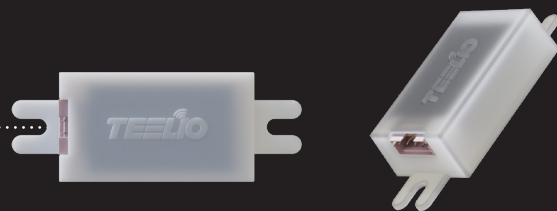
## PT-MS-35-BT Bluetooth Audiojack Sensor

PT-MS-35-BT low voltage high bay sensors are ideal for Luminaire Level Lighting Control (LLLC) applications. Featuring integrated daylight harvesting and a 40FT range for PIR motion sensing, the PT-MS-35-BT sensors are designed for pre-installation in linear high bay or round high bay luminaires.



## PT-BTN Bluetooth Node

Powered by a DC12V auxiliary source, the PT-BTN enables Luminaire Level Lighting Control (LLLC) capabilities in a miniature design with integrated "sensor-ready" functionality to provide connectivity to the non Bluetooth microwave sensor PT-A-EMS-MW.



## PT-A-EMS-MW Micro Eco Sensor

The PT-A-EMS-MW extend the capabilities of a host controller device by providing Microwave Occupancy detection with adjustable sensitivity inputs. As non-Bluetooth devices, the PT-A-EMS-MW are designed to operate with either the PT-BTN Bluetooth Node or the PT-BTC-6 Bluetooth Controller.



))) *the new bluetooth.*



Actual diameter



• **PT-MS-21-BT-JB**

Bluetooth Dual Tech Ceiling Sensor

The PT-MS-21-BT-JB is a line-voltage dual-tech occupancy sensor with daylight harvesting. Utilizing Teelio Bluetooth technology, integrating PIR and ultrasonic technologies for precise detection across a 600 sq ft area.



**PT-BTC-EM** Bluetooth EM Controller

The PT-BTC-EM is a UL924-compliant emergency lighting controller designed for networked emergency lighting systems. It detects power interruptions in buildings and wirelessly signals the emergency circuit luminaires to override control inputs. Ideal for backup power systems like UPS or generators.



Not the actual size

**PT-BTC-6** Bluetooth Controller

The 6A Bluetooth Fixture Controller seamlessly converts luminaires to wireless control for integration with the TEELIO Bluetooth system. Supporting 6 Amps, it can connect multiple fixtures in new construction applications. The PT-BTC-6 also functions as a power pack, providing DC12V auxiliary power to the PT-A-EMS-MW for sensor required applications.



## PT-5WS-BT-B

### Battery 5 Button Wall Switch

The Teelio PT-5WS-BT-B is a battery-powered Bluetooth wall switch that controls Teelio Bluetooth fixtures with ON/OFF, DIM+/DIM-, AUTO, and three customizable scene settings. It also serves as a remote controller for managing your TEELIO ecosystem within its wireless range, ensuring reliable and secure Bluetooth communication.



## PT-3WS-BT-B

### Battery 3 Button Wall Switch

The PT-3WS-BT-B is a versatile, battery-powered Bluetooth wall switch that controls TEELIO Bluetooth enabled fixtures with ON/OFF and DIM+/DIM- functions. It can also serve as a remote controller within its wireless range, ensuring reliable and secure communication.



## PT-3WS-BT-A

### AC 3 Button Wall Switch

The PT-3WS-BT-B is a versatile line-voltage Bluetooth wall switch that controls TEELIO Bluetooth enabled fixtures with ON/OFF and DIM+/DIM- functions. It can be used to retrofit a standard wall switch.



## PT-1WS-MS-BT-A

### PIR Sensor Wall Switch

The PT-1WS-MS-BT-A is a line voltage PIR sensor switch that automatically switches off when no motion is detected within the designated time frame. It features a relay and photocell, ensuring activation only when ambient light levels are below a specified threshold.

))) *the new bluetooth.*



• **PT-RTC-D-BT**  
BT Real Time Clock/Energy Monitoring USB-A Dongle

The PT-RTC-D-BT is a USB dongle featuring a Real-Time Clock (RTC) and energy monitoring capabilities. It connects via a USB-A port and is powered by an integrated CR2032 battery. This device allows users to generate reports of detailed usage reports by capturing and analyzing consumption data every 15 minutes.



• **PT-GTB-D-BT**  
Gateway Bridge USB-A Dongle

The PT-GTB-D-BT is a USB dongle gateway bridge that's Title 24 compliant. It connects via Bluetooth to TEELIO-enabled devices and interfaces through Wi-Fi with third-party systems, including BACnet-based building management systems. It supports both Modbus TCP and REST APIs over Wi-Fi, offering versatile connectivity solutions.



Scan the QR code to download the TEELIO app and unlock the full experience of being in complete control. Start enjoying seamless, intuitive management at your fingertips.



# How **TEELIO** works?

## 1 CHOOSE PRODUCT

The first step in setting up your TEELIO LED lighting system is selecting the appropriate fixture.

Depending on the lighting needs of your space, you can choose from various options such as the SR Series Troffers / Panels / Strip Lights, or our regular Round / Linear High Bay, and much much more.



TROFFER



PANEL



STRIP LIGHT



ROUND  
HIGH BAY



LINEAR  
HIGH BAY



WRAP AROUND



VAPORTIGHT

## 2 CHOOSE CONTROL

After selecting the fixture, the next step is choosing a control piece. This component connects the fixture to the TEELIO Bluetooth mesh network, allowing you to control your lighting remotely. The control piece comes in different forms, including motion sensors, or daylight sensors, controllers, depending on the features you need.



PT-MS-BT  
Bluetooth 4pin Sensor

PT-MS-35-BT  
Bluetooth Audiojack Sensor



PT-BTC-6  
Bluetooth Fixture Control

PT-BTN  
Bluetooth Node





# 3 CHOOSE SWITCH

Now, select the wall switch that complements your setup. TEELIO offers a variety of switches, including battery-powered and traditional AC options, all of which integrate seamlessly with the TEELIO Bluetooth mesh system.



**PT-5WS-BT-B**  
Battery 5 Button Wall Switch



**PT-3WS-BT-B**  
Battery 3 Button Wall Switch



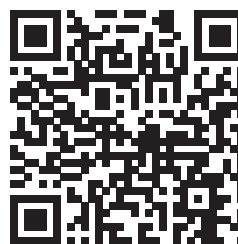
**PT-3WS-BT-A**  
AC 3 Button Wall Switch



**PT-1WS-MS-BT-A**  
PIR Sensor Wall Switch

# 4 APP CONTROL

Finally, download the TEELIO app to your smartphone or tablet to complete the setup. Available on both iOS and Android, the TEELIO app ensures you have full control of your lighting system at your fingertips.



**PT-MS-21-BT-JB**  
BT Dual Tech Ceiling Sensor







**PT-MS-BT**  
Bluetooth 4pin Sensor



Portor's Sensor Ready luminaire with multiple wattage and CCT selector.



**PT-MS-35-BT**  
Bluetooth Audiojack Sensor



**PT-RHB-HW-3CP**



**PT-LHTL SERIES**



**PT-BTN**  
Bluetooth Node

Powered by a DC12V auxiliary source, the PT-BTN enables Luminaire Level Lighting Control (LLLC) capabilities in a miniature design with integrated "sensor-ready" functionality to provide connectivity to the non Bluetooth microwave sensor PT-A-EMS-MW.



**LHB SERIES**



**PT-BTC-6**  
Bluetooth Fixture Controller

The 6A Bluetooth Fixture Controller seamlessly converts luminaires to wireless control for integration with the TEELIO Bluetooth system. Supporting 6 Amps, it can connect multiple fixtures in new construction applications. The PT-BTC-6 also functions as a power pack, providing DC12V auxiliary power to the PT-A-EMS-MW for sensor required applications.



**ROUND HIGH BAY**



**PT-A-EMS-MW**  
Microwave Eco Sensor

The PT-A-EMS-MW extend the capabilities of a host controller device by providing Microwave Occupancy detection with adjustable sensitivity inputs. As non-Bluetooth devices, the PT-A-EMS-MW are designed to operate with either the PT-BTN Bluetooth Node or the PT-BTC-6 Bluetooth Controller.



**PT-BTC-EM**  
Bluetooth EM Controller



**PT-RTC-D-BT**  
BT Real Time Clock/Energy Monitoring USB-A Dongle



**PT-GTB-D-BT**  
Gateway Bridge USB-A Dongle



**SR Troffer / SR Troffer Retrofit Kit**



**SR Flat panel**



**SR Strip Light**



**+ ELB-UNI-35**



**LHB SERIES**



**WRAPAROUND**



**STRIP LIGHT**



**VAPORTIGHT**



**FLAT PANEL SERIES**



**STRIP LIGHT**



**LHB SERIES**



**FLAT PANEL SERIES**



**STRIP LIGHT**



**STRIP LIGHT**



**VAPORTIGHT**



**WRAPAROUND**



**PT-5WS-BT-B**  
Battery 5 Button Wall Switch



**PT-3WS-BT-A**  
AC 3 Button Wall Switch



**PT-3WS-BT-D**  
Battery 3 Button Wall Switch



**PT-1WS-MS-BT-A**  
PIR Sensor Wall Switch

# NEW CONSTRUCTION

For new construction applications, TEELIO features Bluetooth smart control and sensor installation, providing seamless, wireless management of lighting and environmental settings in any office space. Enhance comfort, efficiency, and productivity with intuitive, state-of-the-art technology tailored to modern work environments.

## 1 ✓ TEELIO Recommends



Portor's Sensor Ready luminaire with multiple wattage and CCT selector.



**PT-MS-BT**  
Bluetooth 4pin Sensor

## 2



**PT-BTC-6**  
Bluetooth Fixture Controller



**PT-MS-21-BT-JB**  
Bluetooth Dual Tech Ceiling Sensor

(For regular Troffer, Flat Panel, Strip Light,)

## 3

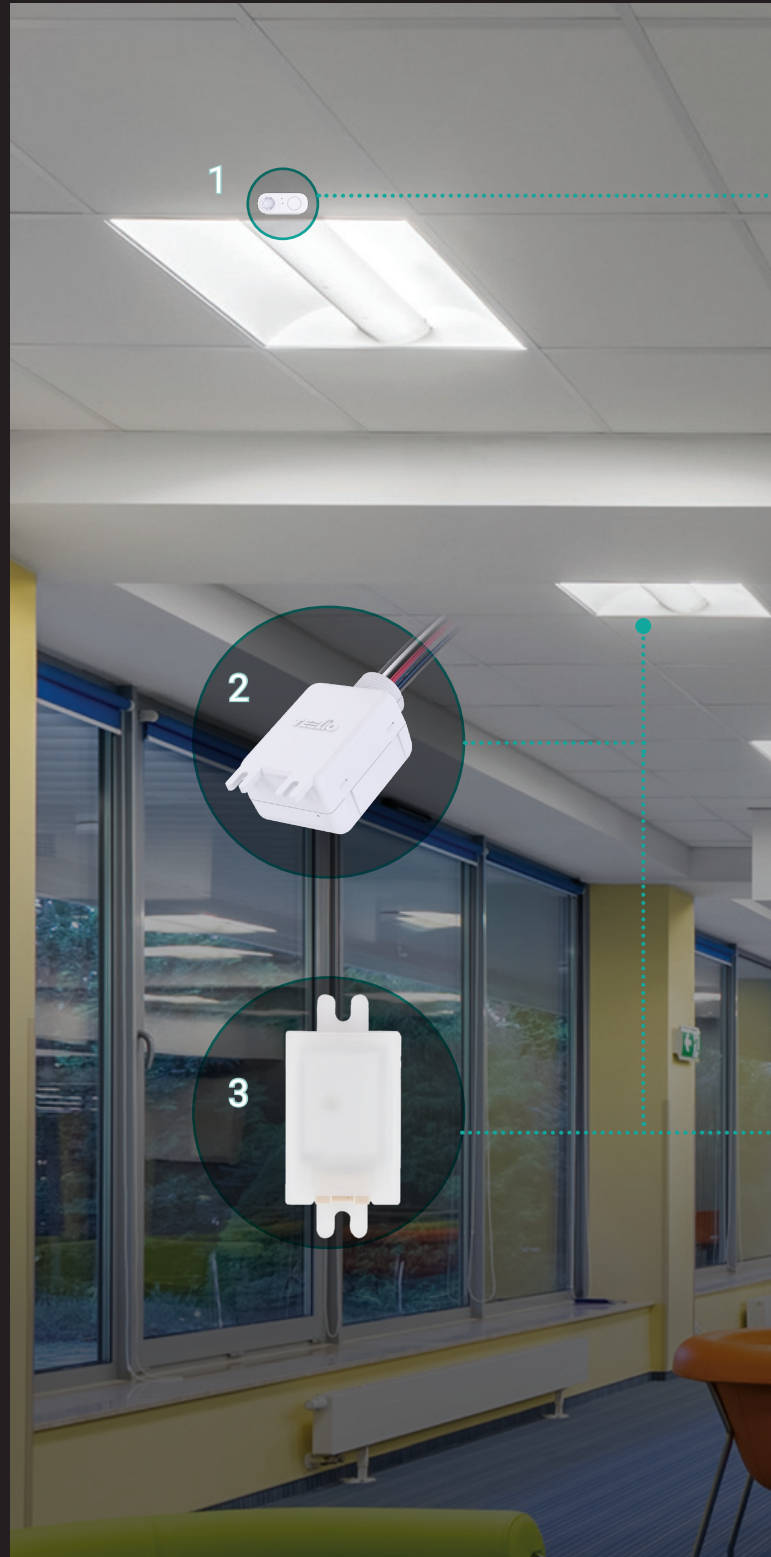


**PT-BTN\***  
Bluetooth Node

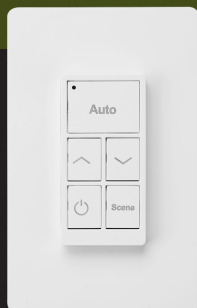


**PT-MS-21-BT-JB**  
Bluetooth Dual Tech Ceiling Sensor

(\*1 per fixture. For regular Troffer, Flat Panel, Strip Light)







**+ WALL SWITCH**

In addition to our TEELIO App, you can easily control the fixtures with our selection of wall switches.

# REMODELING

TEELIO makes it easy to upgrade your fixtures into Bluetooth ready systems. Designed for seamless integration, our products offer a quick, efficient way to enhance your space.

Our ready-to-install sensors simplify the setup, reducing time and complexity. Whether upgrading a room or an entire building, we provide a streamlined process with the latest in smart lighting technology.

1 ▶

✓ **TEELIO Recommends**



Portor's Sensor Ready luminaire with multiple wattage and CCT selector.



**PT-MS-BT**  
Bluetooth 4pin Sensor

2 ▶



**PT-BTC-6\***  
Bluetooth Fixture Controller



**PT-MS-21-BT-JB**  
Bluetooth Dual Tech Ceiling Sensor

( per fixture\*. For regular Troffer, Flat Panel, Strip Light)

3 ▶

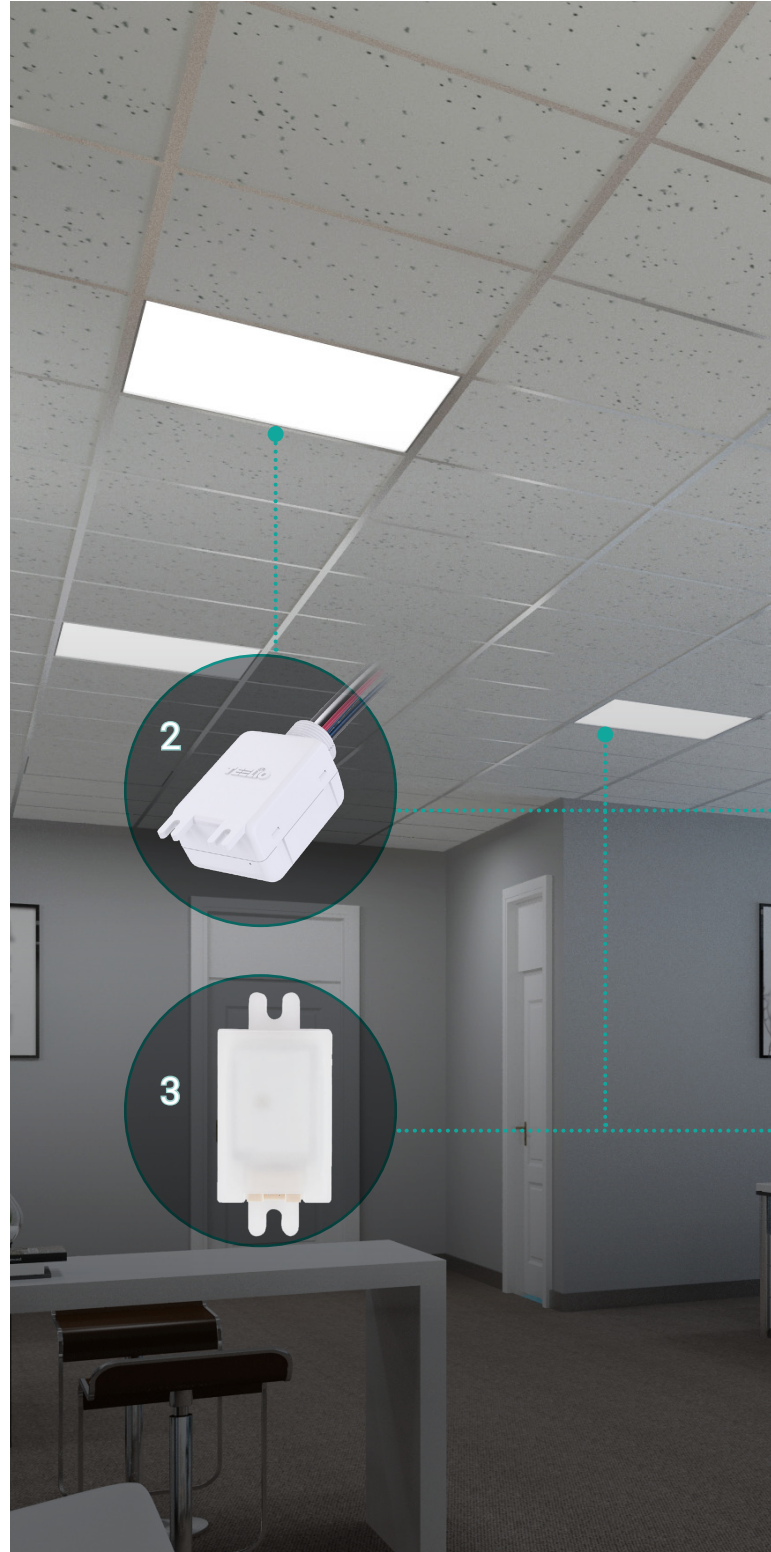


**PT-BTN\***  
Bluetooth Node



**PT-MS-21-BT-JB**  
Bluetooth Dual Tech Ceiling Sensor

(1 per fixture\*. For regular Troffer, Flat Panel, Strip Light)







**+ WALL SWITCH**

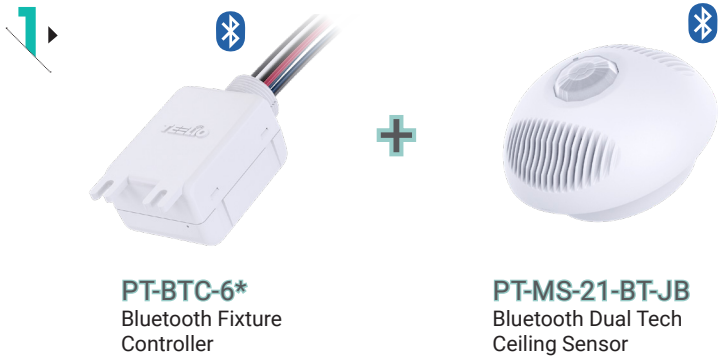
In addition to our TEELIO App, you can easily control the fixtures with our selection of wall switches.



# CURRENT SET-UP

At Portor and TEELIO, we firmly believe in the saying, "If it's not broken, don't fix it." That's why we've developed a solution that enhances your existing fixtures without the need for a complete overhaul. With our easy-to-install technology, you can effortlessly upgrade your current lighting setup to be Bluetooth-ready, transforming it into a smart system with minimal hassle.

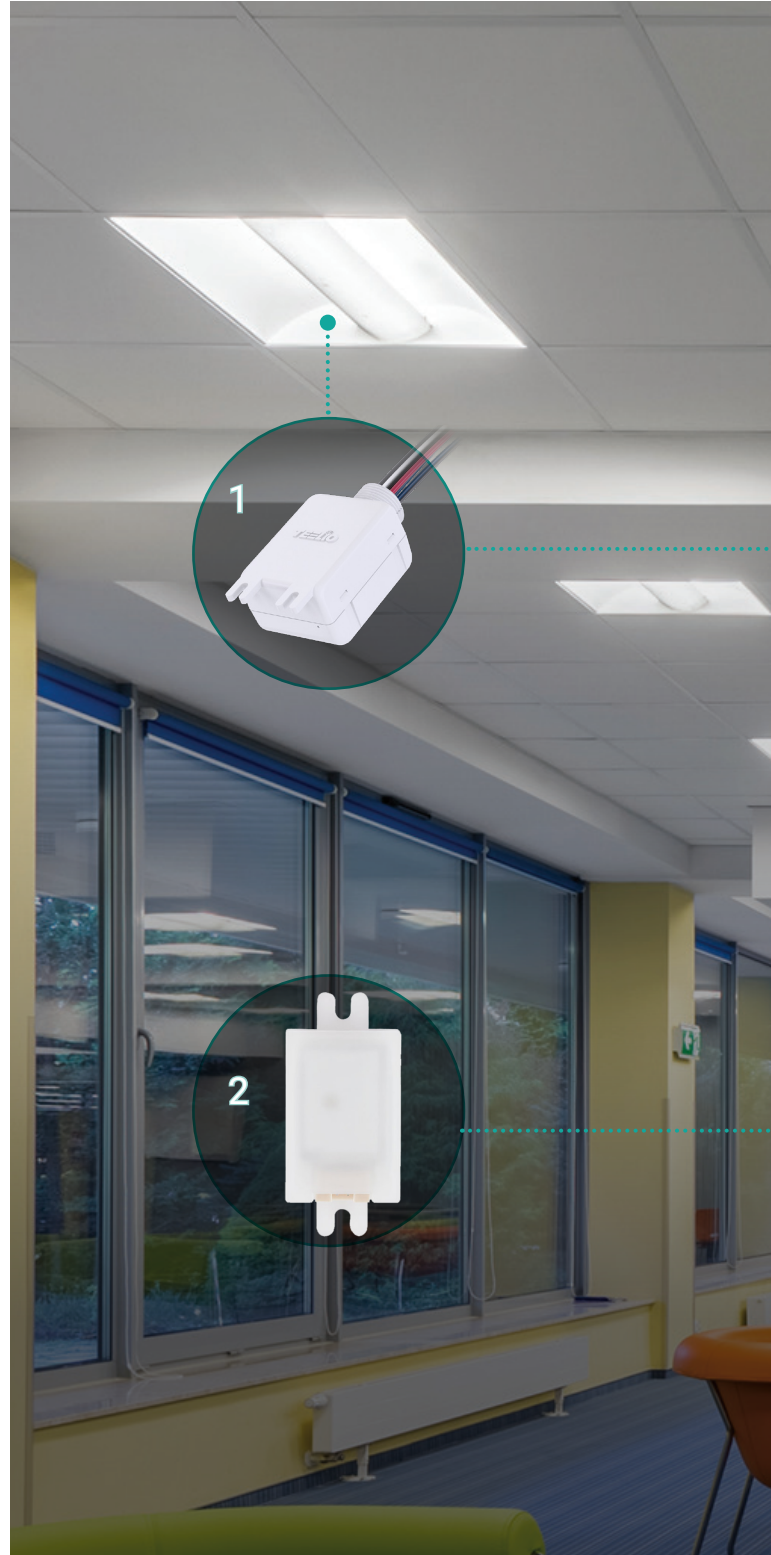
We understand that every lighting setup is unique, so we invite you to contact us with details about your current configuration. Our team will work closely with you to explore all the possibilities and provide tailored solutions that make your lighting system smarter and more efficient. Let us help you modernize your space while keeping what already works.



(1 per fixture\*. For regular Troffer, Flat Panel, Strip Light)



(1 per fixture\*. For regular Troffer, Flat Panel, Strip Light)





**+ WALL SWITCH**

In addition to our TEELIO App, you can easily control the fixtures with our selection of wall switches.



# NEW CONSTRUCTION

For new construction applications, TEELIO features Bluetooth smart control and sensor installation, providing seamless, wireless management of lighting and environmental settings in any office space. Enhance comfort, efficiency, and productivity with intuitive, state-of-the-art technology tailored to modern work environments.

## 1 TEELIO Recommends



**PT-MS-35-BT**  
Bluetooth  
Audiojack Sensor

( per fixture\*. For Round High Bay with audiojack receptacle)

## 2



**PT-MS-35-BT**  
Bluetooth  
Audiojack Sensor

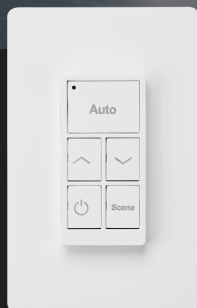
+ ELB-UNI-35



( per fixture\*. For Linear High Bay without audiojack receptacle)







**+ WALL SWITCH**

In addition to our TEELIO App, you can easily control the fixtures with our selection of wall switches.



# REMODELING

TEELIO makes it easy to upgrade your fixtures into Bluetooth ready systems. Designed for seamless integration, our products offer a quick, efficient way to enhance your space.

Our ready-to-install sensors simplify the setup, reducing time and complexity. Whether upgrading a room or an entire building, we provide a streamlined process with the latest in smart lighting technology.

**1** ✓ **TEELIO Recommends**



**PT-MS-35-BT**  
Bluetooth  
Audiojack Sensor

( per fixture\*. For Round High Bay with audiojack receptacle)

**2**



**PT-MS-35-BT**  
Bluetooth  
Audiojack Sensor

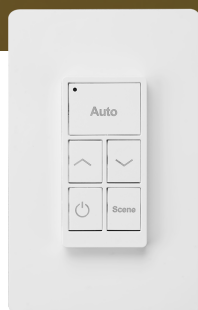
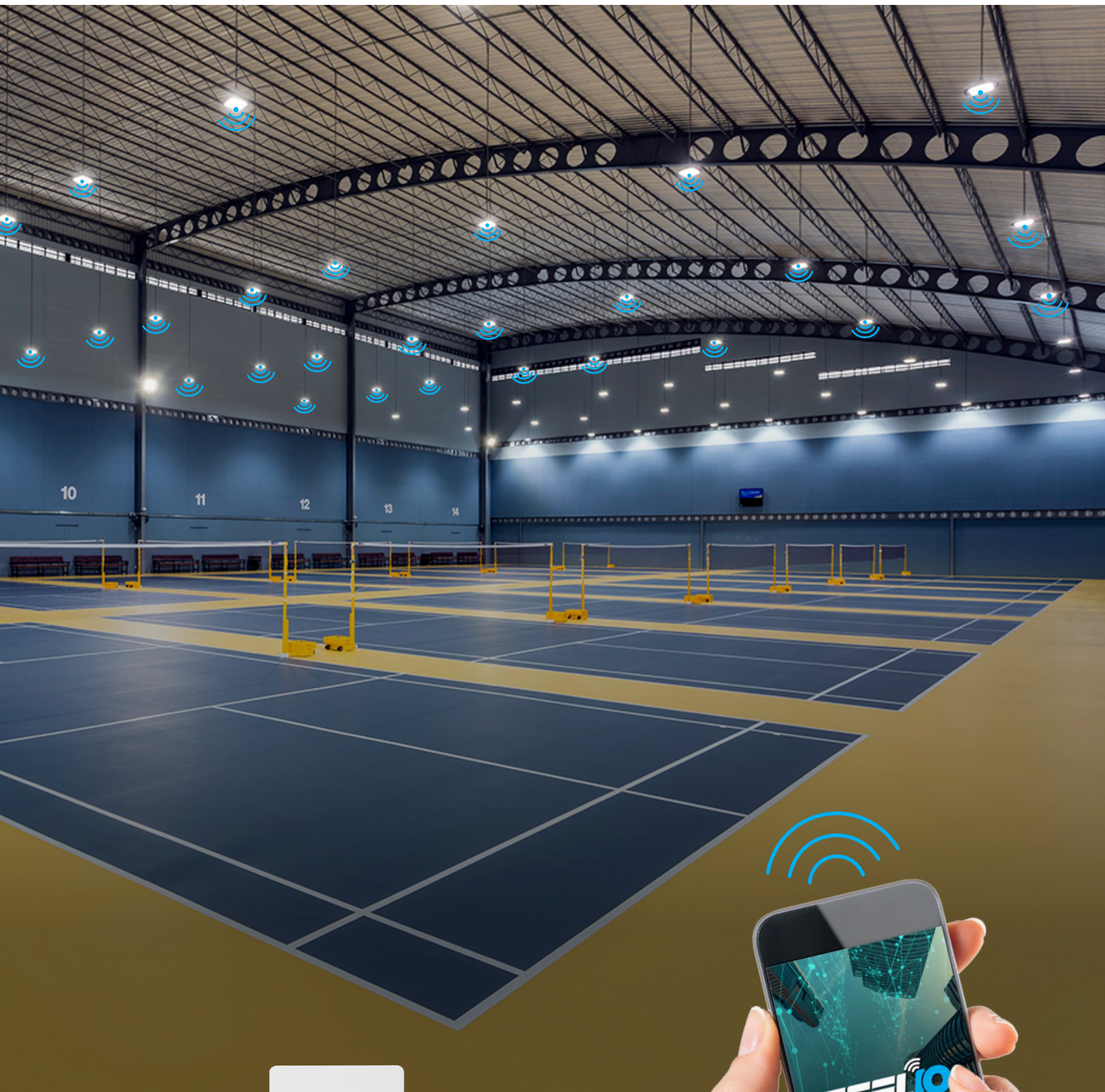
+ **ELB-UNI-35**



( per fixture\*. For Linear High Bay without audiojack receptacle)



We understand that every lighting setup is unique, so we invite you to contact us with details about your current configuration. Our team will work closely with you to explore all the possibilities and provide tailored solutions that make your lighting system smarter and more efficient. Let us help you modernize your space while keeping what already works.

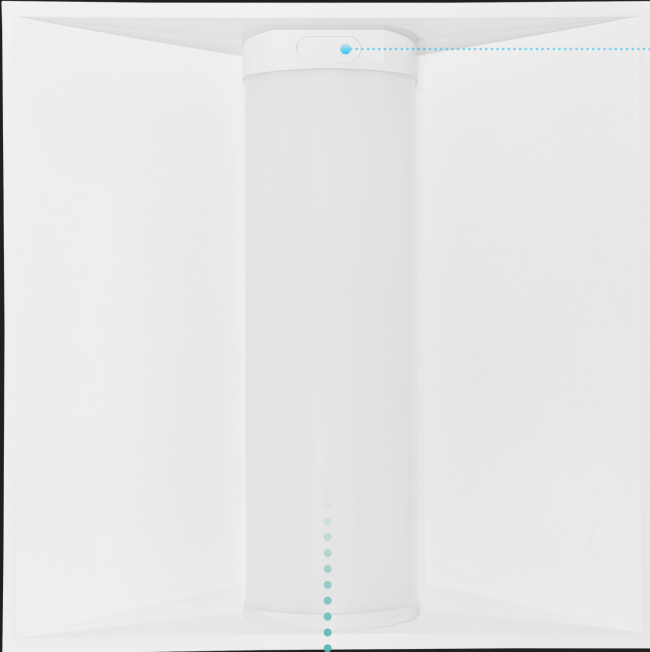


**+ WALL SWITCH**

In addition to our TEELIO App, you can easily control the fixtures with our selection of wall switches.



✓ **PORTOR** Recommends



Shown is PT-TRO-22-3CP-SR



Portor's Sensor Ready luminaire with multiple wattage and CCT selector.

+



Combined with TEELIO's PT-MS-BT sensor, offers seamless integration for a fully smart bluetooth lighting system.



**PT-MS-BT**  
Bluetooth 4pin Sensor

The PT-MS-BT is a low-voltage sensor engineered for seamless luminaire integration, enabling Luminaire Level Lighting Control (LLLC) functionality for panel, troffer, strips, and potentially many more lighting fixtures. This compact unit combines daylight harvesting and PIR occupancy sensing to transform luminaires into intelligent lighting solutions.



## TROFFER ▶

Portor's **Sensor Ready TRO** luminaire, combined with TEELIO's PT-MS-BT sensor, offers seamless integration for a fully smart bluetooth lighting system.



**PT-TRO-24-3CP-SR**

2' x 4' Sensor Ready Center Basket Troffer with CCT and Wattage Selector



**PT-TRO-22-3CP-SR**

2' x 2' Sensor Ready Center Basket Troffer with CCT and Wattage Selector



**PT-TRO-14-3CP-SR**

1' x 4' Sensor Ready Center Basket Troffer with CCT and Wattage Selector



**PT-TRO-24-3CP-RTK-SR**

2' x 4' Sensor Ready Center Basket Troffer Retrofit Kit



**PT-TRO-22-3CP-RTK-SR**

2' x 2' Sensor Ready Center Basket Troffer Retrofit Kit



Upgrades existing 2'x4' fluorescent troffers or louvers to LED with our reliable LED troffer retrofit kit fully assembled within the frame.

## FLAT PANEL ▶

Portor's **Sensor Ready BLP** luminaire, combined with TEELIO's PT-MS-BT sensor, offers seamless integration for a fully smart bluetooth lighting system.



**PT-BLP-24-3CP-SR**

2' x 4' Sensor Ready Back-lit Flat Panel with CCT and Wattage Selector



**PT-BLP-22-3CP-SR**

2' x 2' Sensor Ready Back-lit Flat Panel with CCT and Wattage Selector



**PT-BLP-14-3CP-SR**

1' x 4' Sensor Ready Back-lit Flat Panel with CCT and Wattage Selector

## STRIP LIGHT ▶

Portor's **Sensor Ready LS** luminaire, combined with TEELIO's PT-MS-BT sensor, offers seamless integration for a fully smart bluetooth lighting system.



**PT-LS-2F-3CP-SR**

2' Sensor Ready Linear Strip Luminaire with CCT and Wattage Selector



**PT-LS-4F-3CP-SR**

4' Sensor Ready Linear Strip Luminaire with CCT and Wattage Selector



**PT-LS-8F-3CP-SR**

8' Sensor Ready Linear Strip Luminaire with CCT and Wattage Selector

Integrating wireless lighting controls with TEELIO's Bluetooth mesh technology is both fast and simple. This quick setup guide will help you quickly set up the app and explore its key features. For detailed information on specific devices, please refer to the relevant specification sheets or installation instructions.



## MAIN FUNCTIONS

At the bottom of the TEELIO app, you'll find five icons: Lights, Groups, Switches, Scenes, and More.

**Lights:** Displays all lights connected to the app, where users can view and control each light individually.

**Groups:** Provides options to create and manage groups of devices.

**Switches:** Shows all connected switches and allows users to view or edit switch controls.

**Scenes:** Enables users to create and manage scenes for customized lighting settings.

**More:** Accesses additional features like schedules, zones, device information, high/low-end trim adjustments, and other settings."



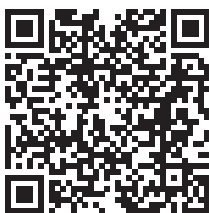
## ADDING LIGHTS

The Lights page is the first screen you'll see when you open the app and serves as the main control center for individual lights. You can add lights by zone, but make sure not to activate more than 100 lights at once to avoid overloading the system. To prevent interference with wireless communication, turn off any lights outside the active zone at their power source.

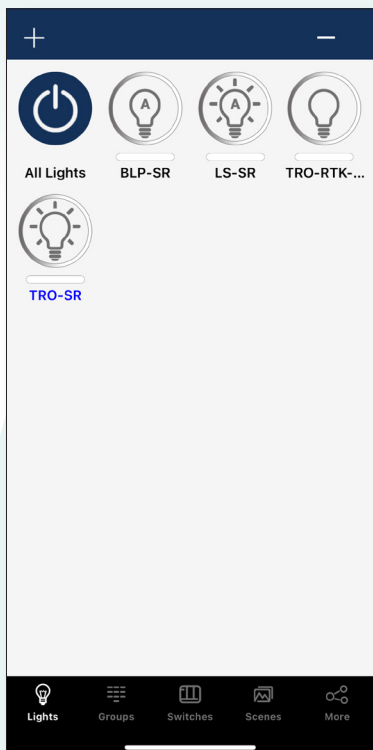
Follow these steps to add lights to the TEELIO app:

1. Tap the "+" button in the upper left corner.
2. Use the Top20 or Top50 options to display lights with the strongest Bluetooth signals.
3. Identify lights by toggling them on and off using their icons.
4. To select the lights you want to add, tap the check mark in the lower right corner of the desired light icons.
5. Tap "Add" in the bottom right corner.
6. In the pop-up dialog box, confirm your selection by tapping "Add." The selected lights will blink to indicate a successful connection.
7. Press the "Back" button to return to the previous screen.





Simply scan the QR code to access the TEELIO App User Manual. Inside, you'll find easy-to-follow screenshots and detailed instructions to help you make the most of all the app's features!

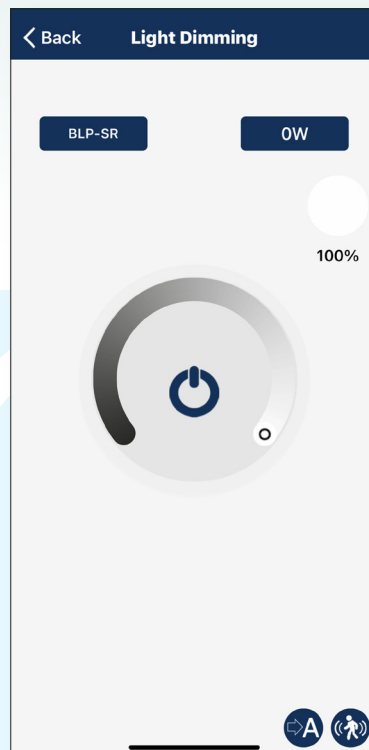


## ALL LIGHTS PAGE

Every light connected to the app is listed on the Lights page. Each light can display different icons to indicate its current status.

1. **All Lights:** A default system-wide on/off switch that toggles all lights in the region between auto-on and manual-off.
2. **Auto-off:** The light is off and will turn on automatically if motion is detected.
3. **Auto-on:** The light is on and operating in automatic mode.
4. **Manual-off:** The light is off and will remain off until a scheduled event or manual command overrides it.
5. **Manual-on:** The light is manually set to a specific level and will automatically return to auto-off mode after the motion sensor delay period.
6. **Offline:** The controller is likely either without power or out of range of the mesh network.
7. **Blue Light Name:** Indicates the light that the phone/tablet is using to connect to the mesh network.

Swiping left or right on a light icon allows for quick brightness control.



## DIMMING PAGE

The Dimming page is accessible for both individual lights and groups. On this page, you can rename the light, adjust the brightness using the rotary dimmer, toggle the power on/off, set the auto level, and navigate to the Sensor page. To access the Dimming page for a specific light, press and hold its icon on the Lights page.

Top left to change light's name / Top right indicates fixture wattage after high end trim is set. (If a high-end trim is not, this can be ignored.) Bottom Right "Arrow A" button is to set the auto dimming level.

Select "Back" to save settings and return to Lights Page.

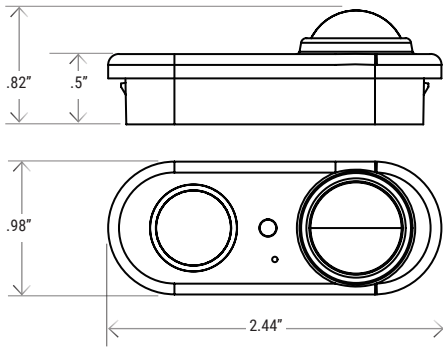


## PT-MS-BT Bluetooth 4pin Sensor

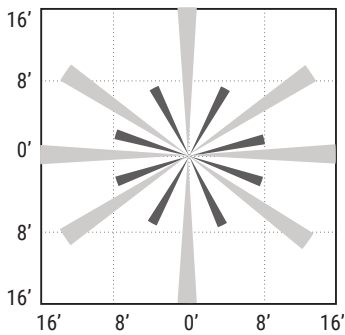
The PT-MS-BT is a low-voltage sensor engineered for seamless luminaire integration, enabling Luminaire Level Lighting Control (LLLC) functionality for panel, troffer, strips, and potentially many more lighting fixtures. This compact unit combines daylight harvesting and PIR occupancy sensing to transform luminaires into intelligent lighting solutions.

### FEATURES

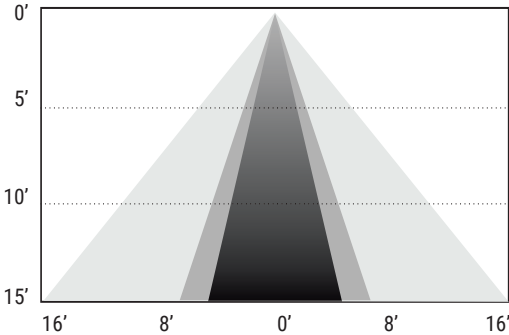
- Integrated Bluetooth connectivity
- Daylight Harvesting + PIR analog sensing technology
- Low-profile linear design with minimal height above luminaire
- DIM-to-OFF for effective dimming and energy efficient functionality
- UL2043 capabilities without any additional wiring
- Bluetooth wireless technology for security and reliability



COVERAGE TOP VIEW



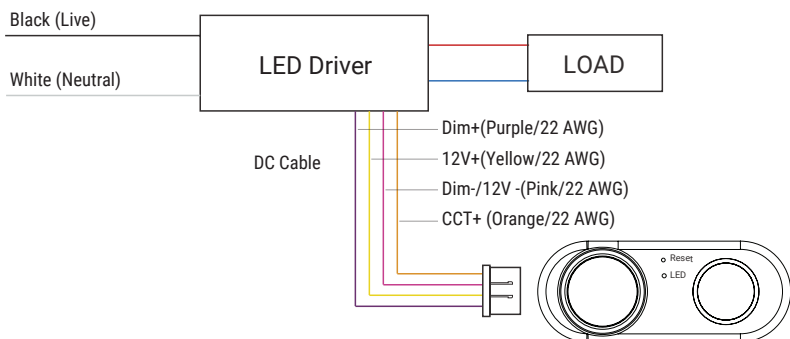
COVERAGE SIDE VIEW

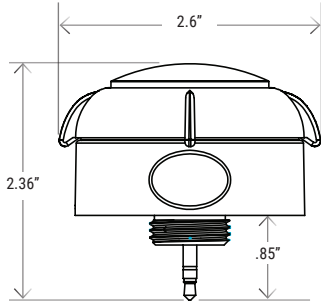


### SPECIFICATIONS

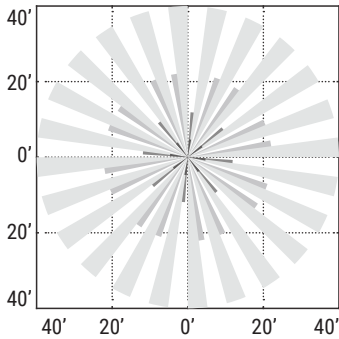
<b>Input Voltage</b>	DC 12V
<b>Input Current</b>	25mA Max
<b>Input Power</b>	0.3W
<b>Output Current</b>	10mA Max
<b>Output Power</b>	0.1W
<b>Dimming</b>	Class 2, 0-10V DC 10mA Max
<b>Sinking Current</b>	10mA Max
<b>Bluetooth Transmit</b>	100ft Max
<b>Radio Frequency</b>	2.4GHz ± 75MHz
<b>Bluetooth Version</b>	5.0
<b>Housing Material</b>	UL 94-5VA
<b>Detection Range</b>	40ft Max
<b>Mounting Height</b>	18ft Max
<b>Indoor/Outdoor Use</b>	Indoor Use Only
<b>Operating Temperature</b>	-22°F to 131°F
<b>Storage Temperature</b>	-22°F to 185°F
<b>IP Rating</b>	IP20
<b>Color</b>	White
<b>Warranty</b>	5 year warranty
<b>Compliance</b>	UL8750, UL1376, RoHS

### WIRING DIAGRAM

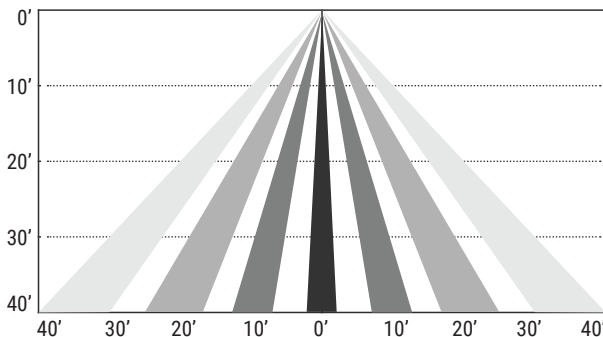




COVERAGE TOP VIEW



COVERAGE SIDE VIEW



## PT-MS-35-BT

### Bluetooth Audiojack Sensor

PT-MS-35-BT low voltage high bay sensors are ideal for Luminaire Level Lighting Control (LLLC) applications. Featuring integrated daylight harvesting and a 40FT range for PIR motion sensing, the PT-MS-35-BT sensors are designed for pre-installation in linear high bay or round high bay luminaires.

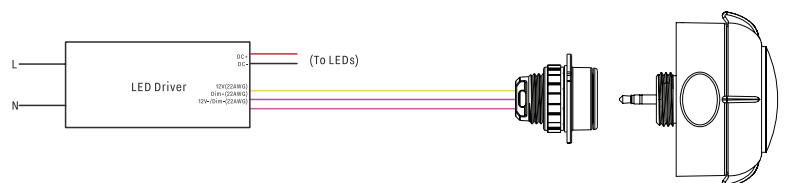
#### FEATURES

- Plug and Play with sensor port pre-installed
- Bluetooth network technology
- Designed for High Bay applications
- Built-in analog PIR sensor
- Replaceable lens options
- 12V DC input
- Daylight harvesting available

#### SPECIFICATIONS

<b>Input Voltage</b>	DC 12V
<b>Input Current</b>	25mA Max
<b>Input Power</b>	0.3W
<b>Output Current</b>	10mA Max
<b>Output Power</b>	0.1W
<b>Dimming</b>	Class 2, 0-10V DC 10mA Max
<b>Sinking Current</b>	10mA Max
<b>Bluetooth Transmit</b>	100ft Max
<b>Radio Frequency</b>	2.4GHz ± 75MHz
<b>Bluetooth Version</b>	5.0
<b>Housing Material</b>	UL 94-5VA
<b>Detection Range</b>	40-80ft
<b>Mounting Height</b>	20-40ft
<b>Indoor/Outdoor Use</b>	Indoor Use
<b>Operating Temperature</b>	-22°F to 131°F
<b>Storage Temperature</b>	-22°F to 185°F
<b>IP Rating</b>	IP40
<b>Color</b>	White
<b>Warranty</b>	5 year warranty
<b>Compliance</b>	UL8750, RoHS

#### WIRING DIAGRAM





## PT-BTN Bluetooth Node

Powered by a DC12V auxiliary source, the PT-BTN enables Luminaire Level Lighting Control (LLLC) capabilities in a miniature design with integrated “sensor-ready” functionality to provide connectivity to the non Bluetooth microwave sensor PT-A-EMS-MW.

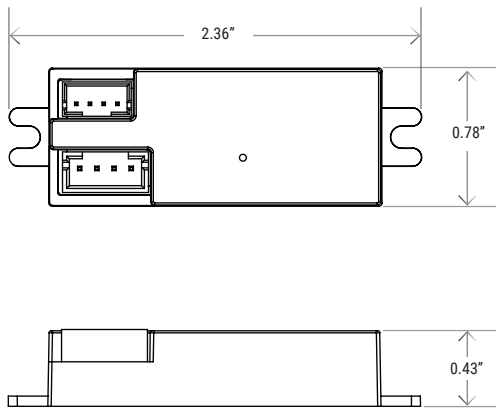
### FEATURES

- 12VDC input
- Integral Bluetooth module
- Sensor-ready attachment port for TEELIO Eco Sensors
- 0-10V output

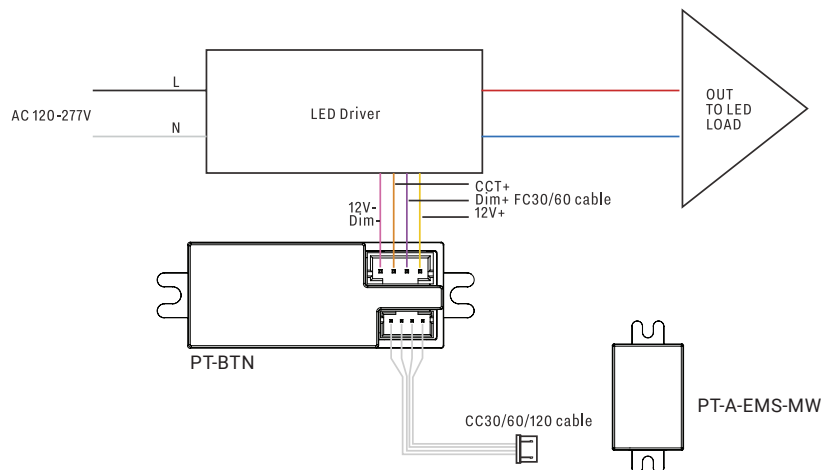


### SPECIFICATIONS

<b>Input Voltage</b>	DC 12V
<b>Input Power</b>	0.5W
<b>Input Current</b>	45mA Max
<b>Output Voltage</b>	DC 10V
<b>Output Current</b>	10mA Max
<b>Output Power</b>	0.1W
<b>Dimming</b>	Class 2, 0-10V DC 10mA Max
<b>Sinking Current</b>	10mA Max
<b>Bluetooth Transmit</b>	200ft Max
<b>Radio Frequency</b>	2.4GHz ± 75MHz
<b>Bluetooth Version</b>	5.0
<b>Housing Material</b>	UL 94-V0
<b>Indoor/Outdoor Use</b>	Indoor Use
<b>Operating Temperature</b>	-22°F to 131°F
<b>Storage Temperature</b>	-22°F to 185°F
<b>IP Rating</b>	IP20
<b>Color</b>	White
<b>Warranty</b>	5 year warranty
<b>Compliance</b>	UL8750, UL1376, RoHS



### WIRING DIAGRAM





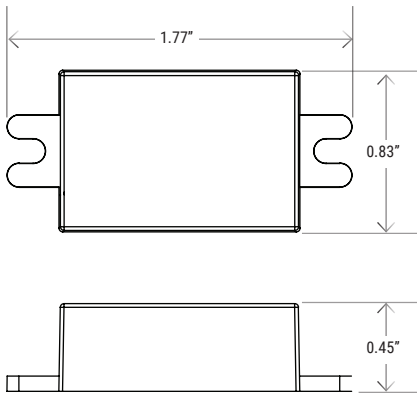
## PT-A-EMS-MW

### Microwave Eco Sensor

The PT-A-EMS-MW extend the capabilities of a host controller device by providing Microwave Occupancy detection with adjustable sensitivity inputs. As non-Bluetooth devices, the PT-A-EMS-MW are designed to operate with either the PT-BTN Bluetooth Node or the PT-BTC-6 Bluetooth Controller.

#### FEATURES

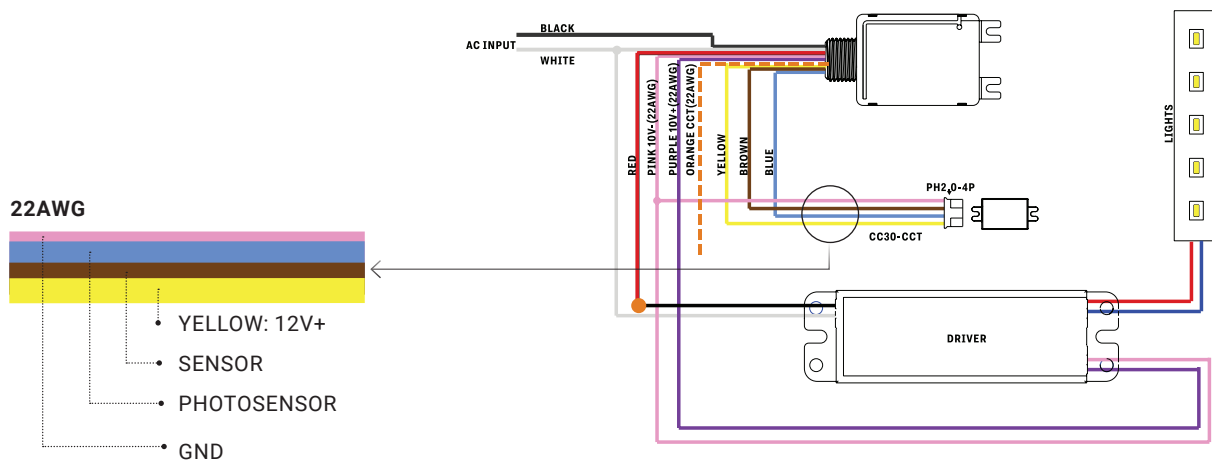
- Microwave occupancy sensor supports setting a delay time and bi-level dimming of sensors through the TEELIO app
- Sensitivity adjustment from 0-100%



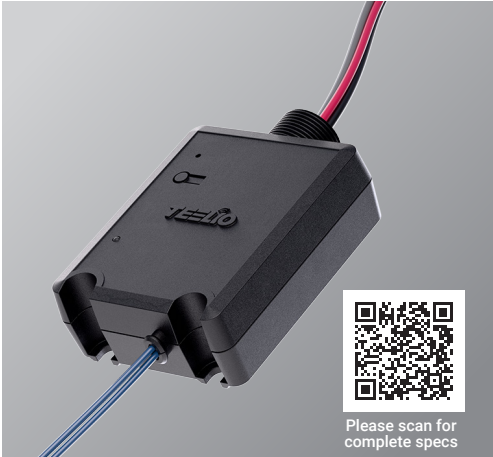
#### SPECIFICATIONS

<b>Input Voltage</b>	DC 12V
<b>Input Power</b>	0.1W
<b>Detection Range</b>	20-40ft (depending on mounting height)
<b>Mounting Height</b>	8-20ft
<b>Housing Material</b>	UL 94-V0
<b>Indoor/Outdoor Use</b>	Indoor Use
<b>Operating Temperature</b>	-22°F to 131°F
<b>Storage Temperature</b>	-22°F to 185°F
<b>IP Rating</b>	IP20
<b>Color</b>	White
<b>Warranty</b>	5 year warranty
<b>Compliance</b>	UL8750, UL1376, RoHS

#### WIRING DIAGRAM







## PT-BTC-EM Bluetooth EM Controller

The PT-BTC-EM is a UL924-compliant emergency lighting controller designed for networked emergency lighting systems. It detects power interruptions in buildings and wirelessly signals the emergency circuit luminaires to override control inputs. Ideal for backup power systems like UPS or generators.

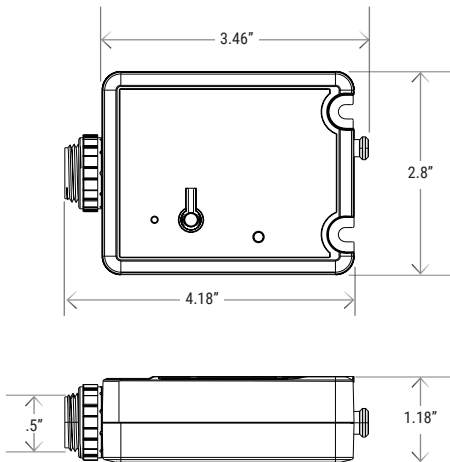
### FEATURES

- Provision for remote test button or fire alarm interface
- Dual color function LED indicator
- Suitable for use in return air plenum rated UL2043
- Complies with UL924, RoHS
- Only one PT-BTC-EM is needed per zone

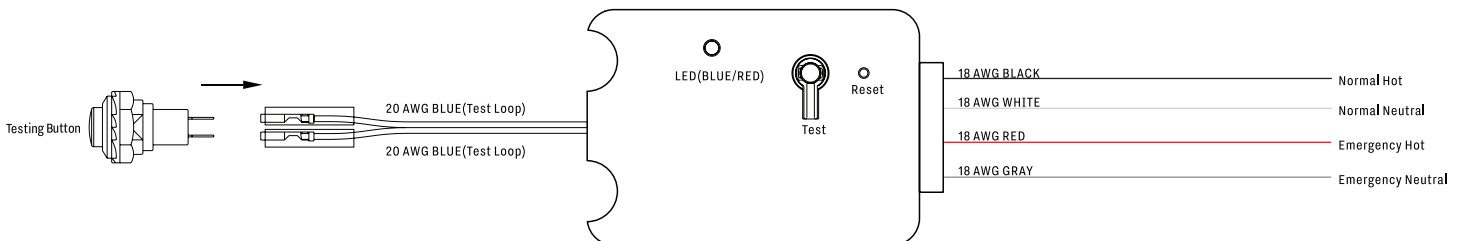


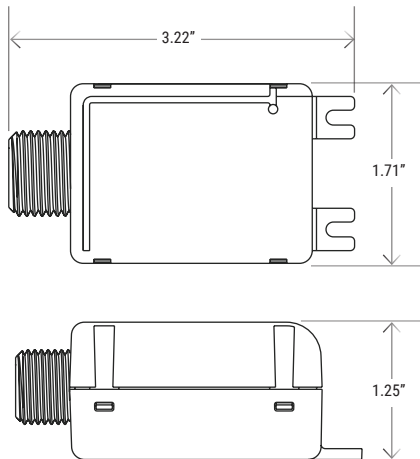
### SPECIFICATIONS

<b>Input Voltage</b>	AC 120-277V
<b>Frequency</b>	50/60 Hz
<b>Input Current</b>	30mA
<b>Input Power</b>	5W
<b>Bluetooth Transmit</b>	200ft Max
<b>Radio Frequency</b>	2.4GHz ± 75MHz
<b>Bluetooth Version</b>	5.0
<b>Housing Material</b>	UL 94-5VA
<b>Indoor/Outdoor Use</b>	Indoor Use
<b>Operating Temperature</b>	-22°F to 122°F
<b>Storage Temperature</b>	-22°F to 185°F
<b>IP Rating</b>	IP20
<b>Color</b>	Black
<b>Warranty</b>	5 year warranty
<b>Compliance</b>	UL8750, RoHS



### WIRING DIAGRAM





## PT-BTC-6

### Bluetooth Fixture Controller

The 6A Bluetooth Fixture Controller seamlessly converts luminaires to wireless control for integration with the TEELIO Bluetooth system. Supporting 6 Amps, it can connect multiple fixtures in new construction applications. The PT-BTC-6 also functions as a power pack, providing DC12V auxiliary power to the PT-A-EMS-MW for sensor required applications.

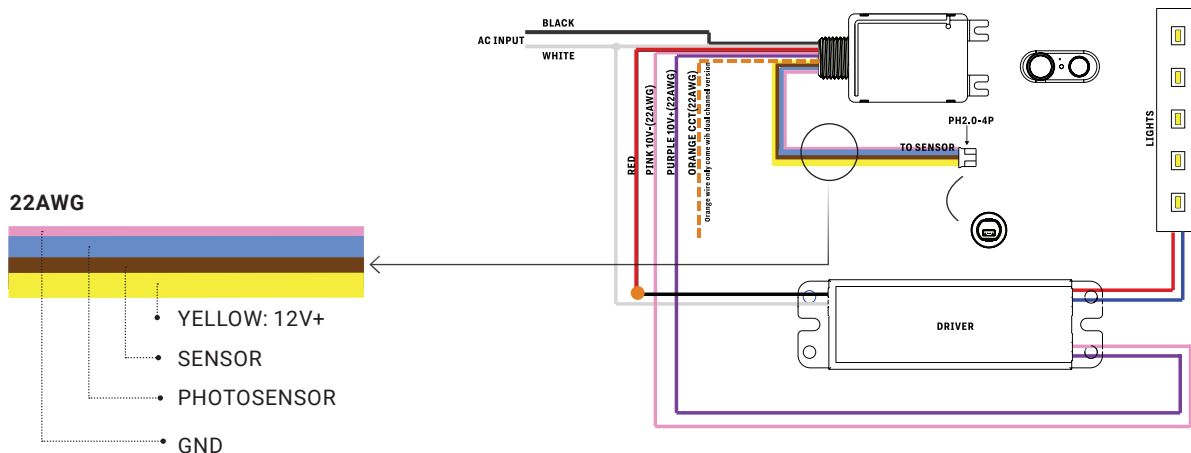
#### FEATURES

- 120-277VAC or 120-347VAC Input
- Integrated 6A relay
- Offers 12V, 200mA output power to sensors
- Attaches with standard 1/2" knockout
- Provides 0-10VDC dimmable single or dual channel output

#### SPECIFICATIONS

Input Voltage	AC 120-277V
Frequency	50/60 Hz
Output Voltage	AC120-277V
Output Current	6A Max
Output Power	720W Max @ 120V, 1662W Max @ 277V, 2082W Max @ 347V
Dimming	Class 2, 0-10V DC 10mA Max
Sinking Current	10mA Max
Bluetooth Transmit	200ft Max
Radio Frequency	2.4GHz ± 75MHz
Bluetooth Version	5.0
Housing Material	UL 94-5VA
Indoor/Outdoor Use	Indoor Use
Operating Temperature	-22°F to 149°F
Storage Temperature	-22°F to 185°F
IP Rating	IP20
Color	White
Warranty	5 year warranty
Compliance	UL8750, UL2043, UL1376, RoHS

#### WIRING DIAGRAM



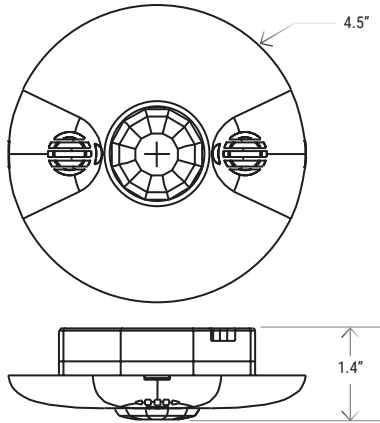


## PT-MS-21-BT-JB Bluetooth Dual Tech Ceiling Sensor

The PT-MS-21-BT-JB is a line-voltage dual-tech occupancy sensor with daylight harvesting. Utilizing TEELIO Bluetooth technology, integrating PIR and ultrasonic technologies for precise detection across a 600 sq ft area.

### FEATURES

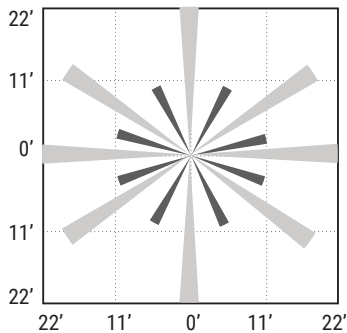
- PIR and Ultrasonic technologies
- Integrated Bluetooth
- Ambient light "Hold-OFF" feature



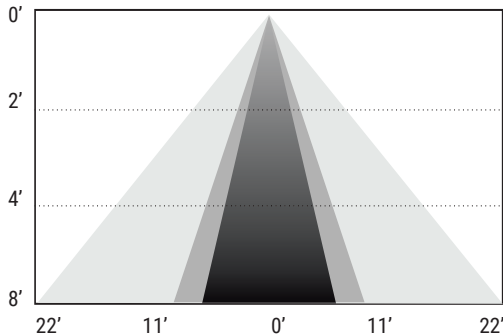
### SPECIFICATIONS

<b>Input Voltage</b>	AC 120-277V
<b>Frequency</b>	50/60 Hz
<b>Resistive</b>	1200W Max @ 120VAC
<b>Tungsten</b>	1200W Max @ 120VAC
<b>Electronic Ballast</b>	1200W Max @ 120VAC 2400W Max @ 277VAC
<b>Motor</b>	1/4 HP @ 120VAC
<b>Bluetooth Transmit</b>	100ft Max
<b>Radio Frequency</b>	2.4GHz ± 75MHz
<b>Bluetooth Version</b>	5.0
<b>Housing Material</b>	UL 94-5VA
<b>Indoor/Outdoor Use</b>	Indoor Use
<b>Operating Temperature</b>	-22°F to 131°F
<b>Storage Temperature</b>	-22°F to 185°F
<b>IP Rating</b>	IP20
<b>Color</b>	White
<b>Warranty</b>	5 year warranty
<b>Compliance</b>	UL773A, UL8750, RoHS

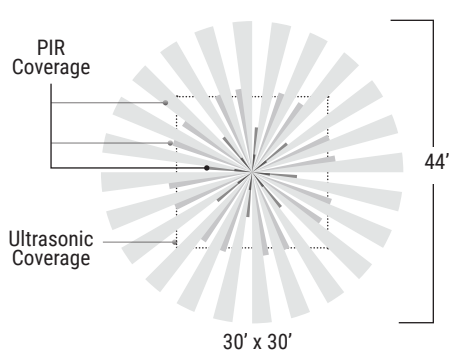
COVERAGE TOP VIEW



COVERAGE SIDE VIEW



COVERAGE TOP VIEW





- SD (Secure Digital) not included
- 1 Battery Included (CR2032)



Please scan for complete specs

## PT-RTC-D-BT

### BT Real Time Clock/Energy Monitoring USB-A Dongle

The PT-RTC-D-BT is a USB dongle featuring a Real-Time Clock (RTC) and energy monitoring capabilities. It connects via a USB-A port and is powered by an integrated CR2032 battery. This device allows users to generate reports of detailed usage reports by capturing and analyzing consumption data every 15 minutes.

#### SPECIFICATIONS

<b>Input Voltage</b>	USB 5V
<b>Input Current</b>	500mA Max
<b>Bluetooth Transmit</b>	100ft Max
<b>Radio Frequency</b>	2.4GHz ± 75MHz
<b>Bluetooth Version</b>	5.0
<b>Housing Material</b>	UL 94-5VA
<b>Indoor/Outdoor Use</b>	Indoor Use
<b>Operating Temperature</b>	-22°F to 131°F
<b>Storage Temperature</b>	-22°F to 185°F
<b>IP Rating</b>	IP20
<b>Color</b>	White
<b>Warranty</b>	5 year warranty
<b>Compliance</b>	RoHS

#### NOTE:

- SD (Secure Digital) cards, also known as TF (TransFlash) cards, are interchangeable and can be used interchangeably.
- To store up to 2 years' worth of data, an SD card with a minimum capacity of 700MB is recommended.
- The SD card must be formatted using the FAT32 file system for compatibility.
- For zones with approximately 100 nodes, the expected data generation is approximately 28MB per month.



Please scan for complete specs

## PT-GTB-D-BT

### Gateway Bridge USB-A Dongle

The PT-GTB-D-BT is a USB dongle gateway bridge that's Title 24 compliant. It connects via Bluetooth to TEELIO-enabled devices and interfaces through Wi-Fi with third-party systems, including BACnet-based building management systems. It supports both Modbus TCP and REST APIs over Wi-Fi, offering versatile connectivity solutions.

#### SPECIFICATIONS

<b>Input Voltage</b>	USB 5V
<b>Input Current</b>	500mA Max
<b>Bluetooth Transmit</b>	100ft Max
<b>Radio Frequency</b>	2.4GHz ± 75MHz
<b>Bluetooth Version</b>	5.0
<b>Housing Material</b>	UL 94-5VA
<b>Indoor/Outdoor Use</b>	Indoor Use
<b>Operating Temperature</b>	-22°F to 131°F
<b>Storage Temperature</b>	-22°F to 185°F
<b>IP Rating</b>	IP20
<b>Color</b>	White
<b>Warranty</b>	5 year warranty
<b>Compliance</b>	RoHS

#### FEATURES

- Supports mainstream Wi-Fi encryption, such as WPA2\_PSK
- Supports both DHCP and static IP assignment
- Demand Response
- Modbus TCP
- REST API







## PT-5WS-BT-B

### Battery 5 Button Wall Switch

The TEELIO PT-5WS-BT-B is a battery-powered Bluetooth wall switch that controls TEELIO Bluetooth fixtures with ON/OFF, DIM+/DIM-, AUTO, and three customizable scene settings. It also serves as a remote controller for managing your TEELIO ecosystem within its wireless range, ensuring reliable and secure Bluetooth communication.

#### SPECIFICATIONS

<b>Input Voltage</b>	DC 3V (CR2032 battery needed)
<b>Bluetooth Transmit</b>	100ft Max
<b>Radio Frequency</b>	2.4GHz ± 75MHz
<b>Bluetooth Version</b>	5.0
<b>Housing Material</b>	UL 94-5VA
<b>Indoor/Outdoor Use</b>	Indoor Use
<b>Operating Temperature</b>	-0.4°F to 122°F
<b>Storage Temperature</b>	32°F to 86°F
<b>IP Rating</b>	IP20
<b>Color</b>	White
<b>Warranty</b>	5 year warranty
<b>Compliance</b>	UL1376, RoHS



## PT-3WS-BT-B

### Battery 3 Button Wall Switch

The PT-3WS-BT-B is a versatile, battery-powered Bluetooth wall switch that controls TEELIO Bluetooth enabled fixtures with ON/OFF and DIM+/DIM- functions. It can also serve as a remote controller within its wireless range, ensuring reliable and secure communication.

#### SPECIFICATIONS

<b>Input Voltage</b>	DC 3V (CR2032 battery needed)
<b>Bluetooth Transmit</b>	100ft Max
<b>Radio Frequency</b>	2.4GHz ± 75MHz
<b>Bluetooth Version</b>	5.0
<b>Housing Material</b>	UL 94-5VA
<b>Indoor/Outdoor Use</b>	Indoor Use
<b>Operating Temperature</b>	-0.4°F to 122°F
<b>Storage Temperature</b>	32°F to 86°F
<b>IP Rating</b>	IP20
<b>Color</b>	White
<b>Warranty</b>	5 year warranty
<b>Compliance</b>	UL1376, RoHS



## PT-3WS-BT-A

### AC 3 Button Wall Switch

The PT-3WS-BT-A is a versatile line-voltage Bluetooth wall switch that controls TEELIO Bluetooth enabled fixtures with ON/OFF and DIM+/DIM- functions. It can be used to retrofit a standard wall switch.

#### SPECIFICATIONS

<b>Input Voltage</b>	AC 120-277V, 50/60 Hz
<b>Input Current</b>	10mA Max
<b>Bluetooth Transmit</b>	100ft Max
<b>Radio Frequency</b>	2.4GHz ± 75MHz
<b>Bluetooth Version</b>	5.0
<b>Housing Material</b>	UL 94-5VA
<b>Operating Temperature</b>	32°F to 104°F
<b>Storage Temperature</b>	-22°F to 185°F
<b>IP Rating</b>	IP20
<b>Color</b>	White
<b>Warranty</b>	5 year warranty
<b>Compliance</b>	UL60730, UL1376, RoHS



## PT-1WS-MS-BT-A

### PIR Sensor Wall Switch

The PT-1WS-MS-BT-A is a line voltage PIR sensor switch that automatically switches off when no motion is detected within the designated time frame. It features a relay and photocell, ensuring activation only when ambient light levels are below a specified threshold.

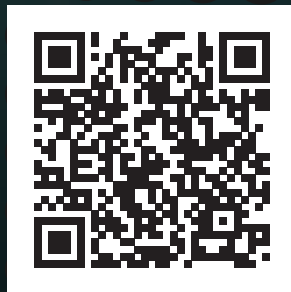
#### SPECIFICATIONS

<b>Input Voltage</b>	AC 120-277V, 60 Hz
<b>Resistive</b>	10A-120VAC
<b>Electronic Ballast</b>	800VA@120VAC, 1600VA@277VAC
<b>Bluetooth Transmit</b>	100ft Max
<b>Radio Frequency</b>	2.4GHz ± 75MHz
<b>Bluetooth Version</b>	5.0
<b>Housing Material</b>	UL 94-5VA
<b>Operating Temperature</b>	32°F to 104°F
<b>Storage Temperature</b>	-22°F to 185°F
<b>IP Rating</b>	IP20
<b>Color</b>	White
<b>Warranty</b>	5 year warranty
<b>Compliance</b>	RoHS



# TEELIO

*a Portor Lighting brand*



PORTOR LIGHTING  
540 N. Loop Drive,  
Ontario, CA 91761

E-mail: [info@portorindustry.com](mailto:info@portorindustry.com)  
Tel: 323-516-6458

Subject to change without notice.  
Portor Lighting is not responsible for any typographical errors.  
Actual colors of products may vary from printing.

© TEELIO 2024. All rights reserved.

Designed in U. S. A.



Simply scan the QR code  
to access the TEELIO App  
User Manual.