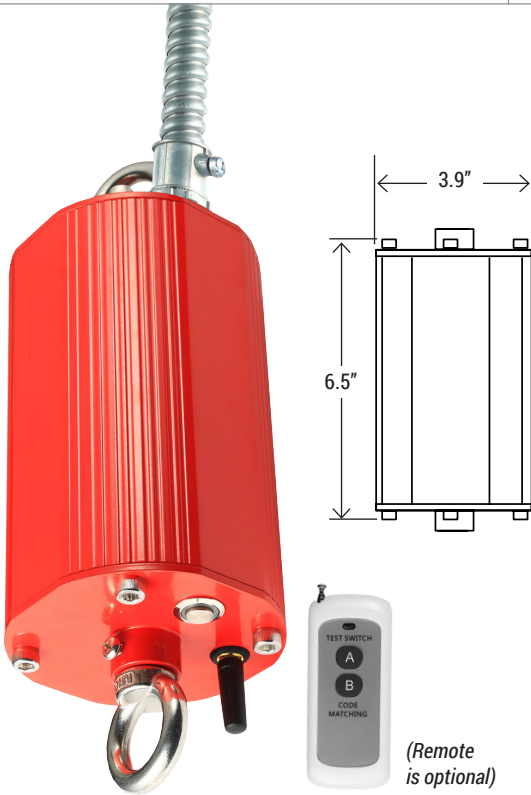


Project Name:	Notes:	Date:	Type:
---------------	--------	-------	-------



DESCRIPTION

Portor has solved the frustrating issue of finding an efficient easy-to-use emergency battery back-up for Round/UFO High bays! With our EMU-25W / EMU-40W, say goodbye to bulky, unsightly round high bay EM batteries, and say hello to the future!

FEATURES

- High output voltage
- Low energy consumption CEC compliant
- Constant output power
- Self-testing

LISTING

- UL924 and tested to CSA C22.2 No. 141 field or factory installation
- UL Listed for US and Canada

TECHNICAL SPECIFICATION

EMERGENCY POWER	25W / 40W
INPUT VOLTAGE	100-347 VAC
POWER FREQUENCY	50/60 Hz
INPUT CURRENT	200mA max
INPUT POWER RATING	12W
RECHARGE TIME	24 hrs
OUTPUT VOLTAGE	170 VDC
EMERGENCY OPERATION	90 mins
BATTERY TYPE	Ni-MH
AMBIENT TEMP.	41°F ~ 122°F
WARRANTY	5 year limited
WEIGHT	7.3 lbs (3.3 kg)

EMU-25W is compatible with fixtures equal to, or less than, 150W.

EMU-40W is compatible with 200W / 240W / 300W.

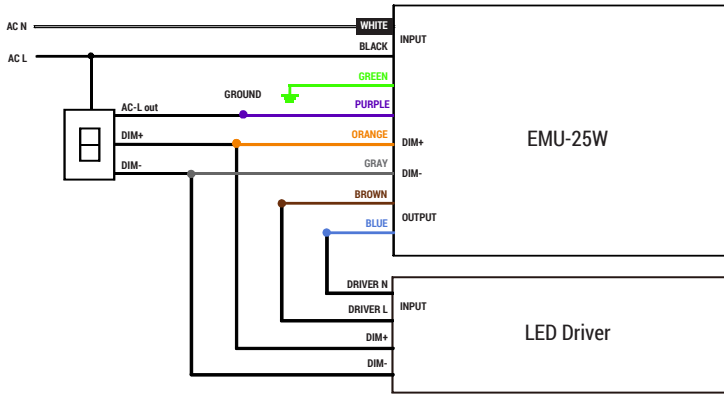


CAUTION:

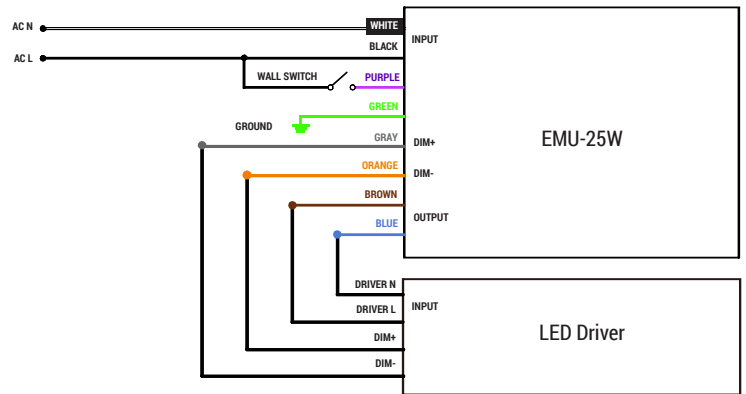
- During AC operation, do not touch or remove any wires in case of electric shock.
- During emergency operation, before touching and disconnecting the wires, remember to press the test button again to turn the led lamp and indicator light off to avoid electric shock .
- The voltage input to the dimmable wires (DIM+,DIM-) of must less than 20VDC emergency LED driver.
- Emergency LED driver only works with dimmable function LED fixtures.

Project Name:	Notes:	Date:	Type:
---------------	--------	-------	-------

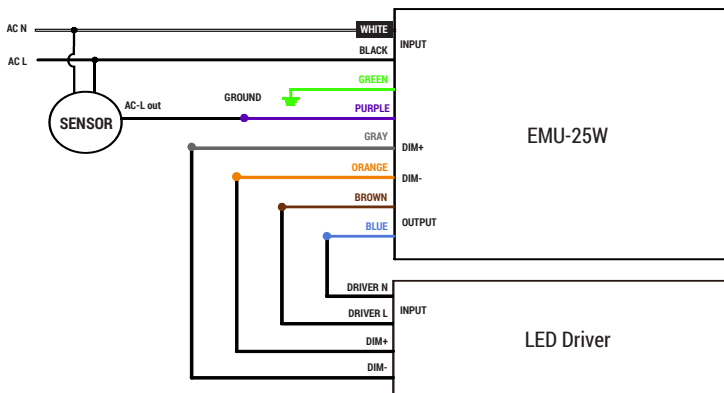
WIRING DIAGRAM



WITH 0-10V DIMMER



WITHOUT DIMMER



WITH SENSOR

OPERATION:

AC OPERATION: When AC power supplies power to the AC driver and the AC driver will operate the LED load as designed, and the driver will charge as the indicated light by indicator lighting. When the test button pressed, driver will change into emergency status at a reduced lumen output for 30 seconds, during this time, the indicator will flash slowly (light on for 2 seconds, off for 2 seconds). Then, 30 seconds later, it will recover into AC operation.

EMERGENCY OPERATION: When AC power fails, driver automatically switches to emergency mode, keeping the LED load illuminated at a reduced lumen output for a minimum of 90 minutes. During this time, the indicator will flash slowly (on for 2 seconds, off for 2 seconds). When AC power is restored, driver will return to charging mode, and the indicator light will keep lighting.

SELF-TEST:

The emergency LED driver contains a control/monitor circuit which will perform a 30-second discharge test once a month and a full 90-minute discharge test once a year. At this time, the unit simulate an AC power failure and automatically switches to emergency mode. During routine testing, the unit will monitor the operation of the LED load, battery voltage, and emergency duration. If the unit detects any problems, the indicator light will flash quickly.