

Project Name:	Notes:	Date:	Type:
---------------	--------	-------	-------

DESCRIPTION

When in need of general outdoor lighting, Portor's Floodlight is the best fit for you. IP65 rated and U-bracket standard. Available in 50W, 100W, and 150W.

Ideal use for facades, outdoor signage, buildings, shopping centers, industrial areas and other outdoor places where spot lighting is needed.



CONSTRUCTION

Die-cast aluminum housing. Sealed by a silicone ring that makes the fixture waterproof.

ELECTRICAL

Luminaire is built with the highest quality 100-277VAC universal drivers.

OPTICAL SYSTEM

Robust glass lens designed to reduce glare and improve light distribution through precision formed lens optics.

CERTIFICATION

ETL Listed for Wet Location, FCC, RoHS, CE, IP65 Rated

TECHNICAL SPECIFICATION

WATTAGE	100W
LUMENS	13,000 lumens
EFFICACY	130 lm/W
VOLTAGE	AC100-277V
POWER FREQUENCY	50/60 Hz
RATE CURRENT	0.7A
CCT	5000K (other CCT custom order)
CRI	Ra>80
WORKING TEMP.	-22°F - +104°F
STORAGE TEMP.	-40°F - +158°F
IP RATING	IP65 Wet Location
DIMMABLE	Non- dimming
POWER FACTOR	>0.9
THD	≤20%
WARRANTY	5 year limited
PORTOR CAT#	PT-FLT-100W-5K

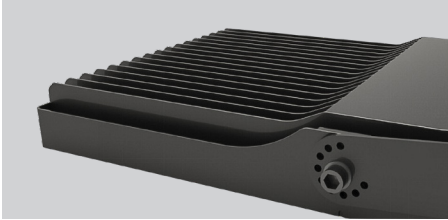


MODEL NUMBER(S)

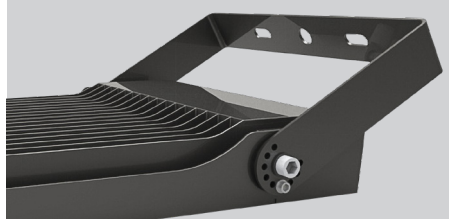
MODEL#	WATTS	LUMENS	LM/WATT	CCT	CRI	VOLTAGE
DMD05S-50W-A-L	50W	5,315	105	5000K	>80	AC 100/277V
DMD10S-100W-A-L-P	100W	13,000	130	5000K	>80	AC 100/277V
DMD15S-150W-A-L-P	150W	19,748	131	5000K	>80	AC 100/277V

Project Name:	Notes:	Date:	Type:
---------------	--------	-------	-------

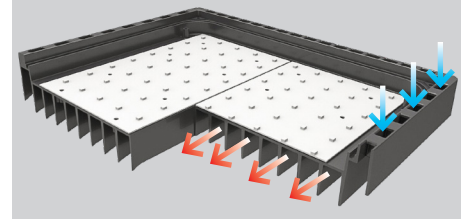
FEATURES



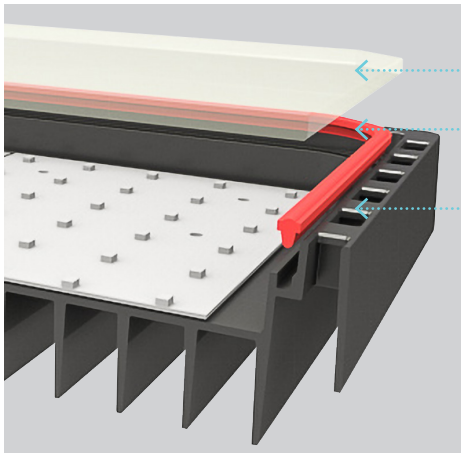
STREAMLINED DESIGN
Attractive and efficient fin design.



ADJUSTABLE ANGLE BRACKET
Adjustable range over 180°.



INTEGRATED HEAT DISSIPATION DESIGN
Fins are integrated with lamp, maximizing heat dissipation and ensuring stability.

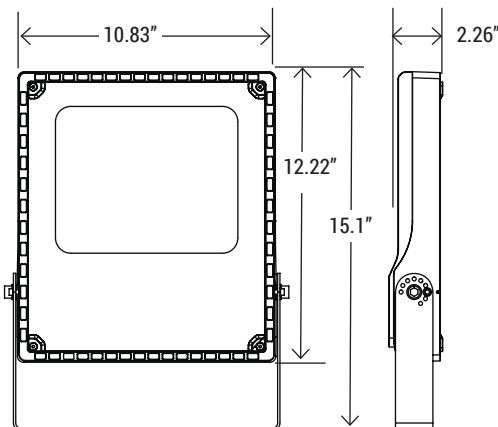


- Stalinite
- Silicone
- Radiating bottom shell

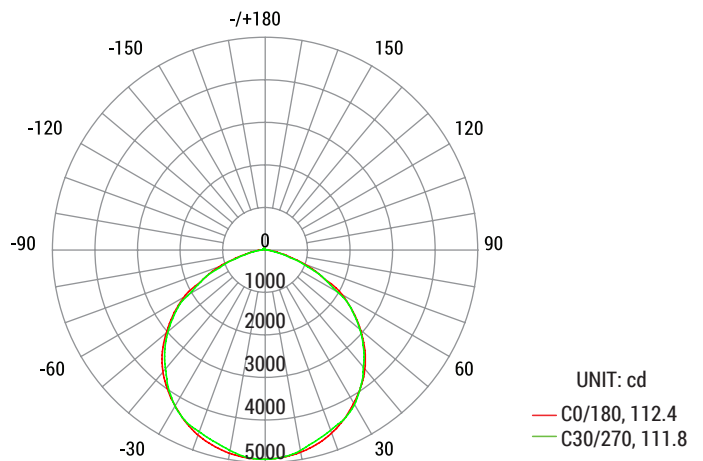
PROTECTION LEVEL: WET LOCATION
IP65 sealed with silicone, protecting level against dust and water.



DIMENSION



PHOTOMETRY



Average Beam Angle (50%) : 112.1 degree