

Catalog Number:	Project Name:	Note:	Date:	Type:
-----------------	---------------	-------	-------	-------

DESCRIPTION

The HBH2 Round High Bay fixture is efficient, compact and durable. Our white round high bay can be used to provide work space lighting, or showcase retail spaces.

Premium quality provides excellent solution for high-ceiling mount applications, especially in warehouses, storage facilities, gymnasiums, and convention centers.



CONSTRUCTION

The advanced die-cast aluminum heat sink provides superior thermal transfer to extend lifespan of the luminaire. Fixture comes standard with hook for suspended mounting.

ELECTRICAL

Luminaire is built with the highest quality driver that is Universal Voltage (120-277V), uses long lasting, high-efficient LED packages.

OPTICAL SYSTEM

LED diode modules designed to reduce glare and improve lighting distribution.

LENS

Tempered clear glass lens.

SENSOR READY

Motion sensor and daylight harvesting sensor available. In-house installation optional.

ENERGY SAVINGS

Over 50% energy savings than traditionally fluorescent fixtures, low heat production requires less maintenance and operation cost.

LISTING

ETL Listed, FCC, RoHS, CE, IP65 rated with LM79 and LM80 report.

WARRANTY

5 year Limited Warranty, Rated for 50,000 hours. See Warranty documentation for details.

WATTAGE	DELIVERED LUMENS	EFFICACY
100W	13,500	135 lm/W
150W	20,250	135 lm/W
200W	27,000	135 lm/W

TECHNICAL SPECIFICATION

CCT	5000K
CRI	80+
DIMMABLE	1-10V dimming
BEAM ANGLE	120°
VOLTAGE	120V - 277V
POWER FREQUENCY	50/60 Hz
POWER FACTOR	>0.97
THD	≤10%
WORKING TEMPERATURE	-40°F ~ 122°F
STORAGE TEMPERATURE	-40°F ~ 158°F
IP RATING	IP65 Wet Location
WARRANTY	5 year limited



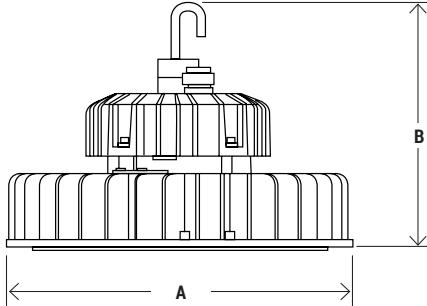
ORDERING SAMPLE:

- - - - - -

Series	Wattage	CCT	Accessories/Options			
			Mounting	EM Battery	Sensor	Reflector
PT-HBH2 LED Round High Bay Series	100W	50K (5000K)	Blank (Standard hook)	Blank (No option)	Blank (No option)	Blank (No option)
	150W			EMU-25W	MSH-C	RFL-PC-HBH2
200W	EMU-40W		MSH-00-C	RFL-PC-BC-HBH2		

Catalog Number:	Project Name:	Note:	Date:	Type:
-----------------	---------------	-------	-------	-------

DIMENSION



WATTAGE	A	B
100W	10.24"	7.87"
150W	10.24"	9.25"
200W	11.21"	9.25"

REFLECTOR OPTION



RFL-PC-HBH2
Polycarbonate Reflector for HBH2



RFL-PC-BC-HBH2
Polycarbonate Reflector Cover for HBH2

EM BATTERY OPTION



EMU-25W / EMU-40W
Emergency LED Driver For Round High Bay

SENSOR OPTION



MSH-C
Dimmable Microwave Motion Sensor



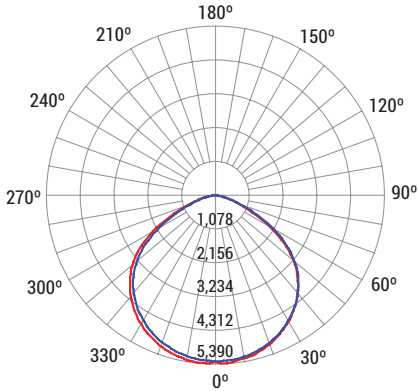
MSH-00-C
ON / OFF Microwave Motion Sensor

Catalog Number:	Project Name:	Note:	Date:	Type:
-----------------	---------------	-------	-------	-------

PHOTOMETRY

PT-HBH2-100W-50K

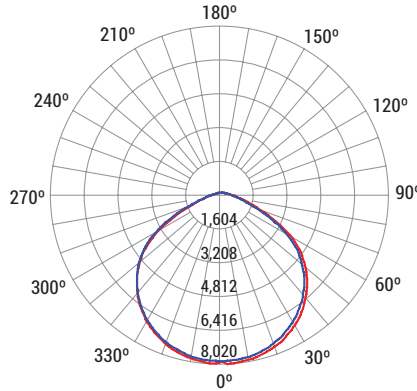
Planar Intensity Distribution Curve



C0 Plane beam angle(50%):111.0 degree
C90 Plane beam angle(50%):110.6 degree

PT-HBH2-150W-50K

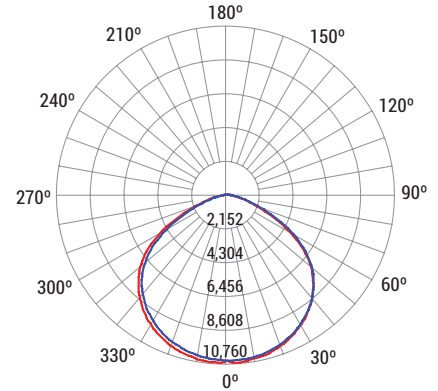
Planar Intensity Distribution Curve



C0 Plane beam angle(50%):112.2 degree
C90 Plane beam angle(50%):112.3 degree

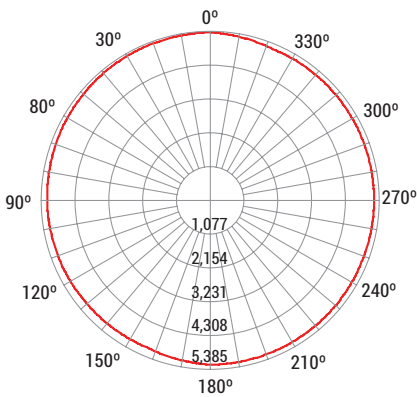
PT-HBH2-200W-50K

Planar Intensity Distribution Curve

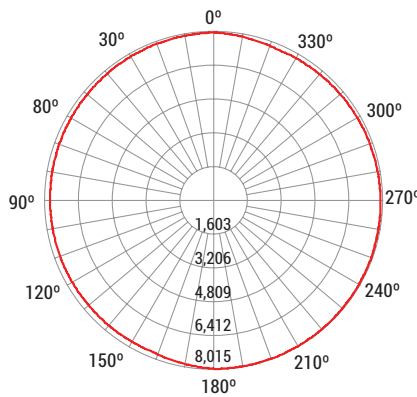


C0 Plane beam angle(50%):109.6 degree
C90 Plane beam angle(50%):109.5 degree

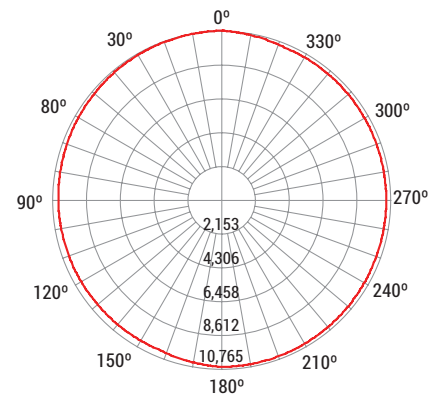
Peak Point Conical Surface Curve



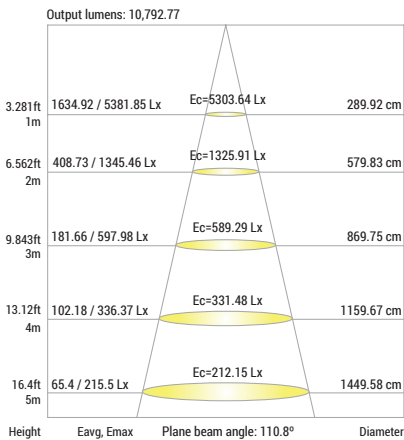
Peak Point Conical Surface Curve



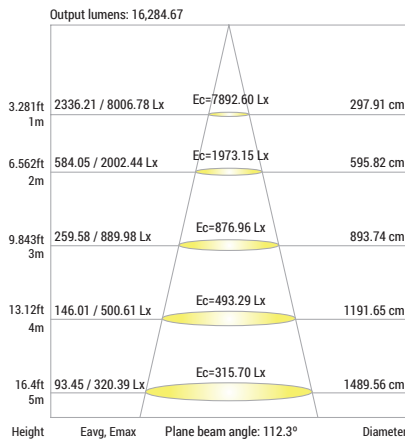
Peak Point Conical Surface Curve



Average Illumination



Average Illumination



Average Illumination

